

pottery barn kids

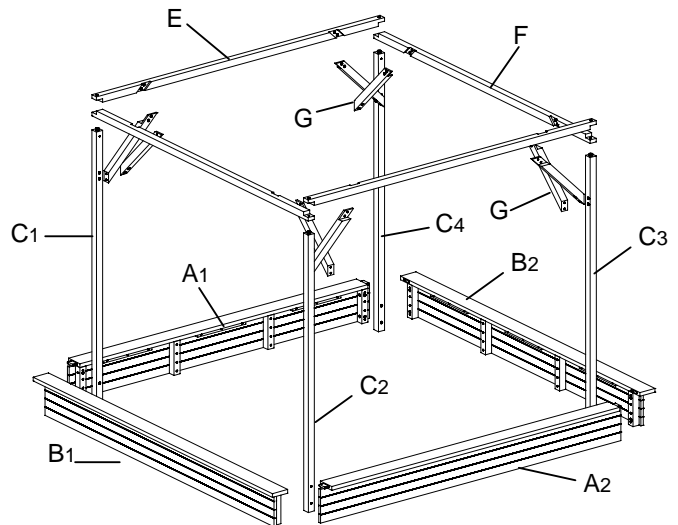
SANDBOX

PRE-ASSEMBLY:

- Read all instructions before beginning assembly. The illustrations provided allow for easier assembly when used in conjunction with the assembly instructions.
- For your safety and ease, assembly by two adults is recommended.
- Remove all part and hardware from the box and lay out on a clean, carpeted, or scratch- free work surface. Use care as some parts or hardware may have sharp points or edges.
- Do not dispose of any contents until assembly is completed to avoid accidentally discarding small parts and hardware.
- Use the parts and hardware lists to identify and separate each of the pieces included.
- Note: Do not fully tighten all bolts until all parts are in place. Failure to follow these instructions may cause the bolts misalign during assembly.
- The use of power tools for assembly is not recommended. Power tools can damage hardware or split wood.

PARTS INCLUDED:

(A1/A2)	Front / Back Panel	(2)
(B1/B2)	Side panel	(2)
(C1/C2/C3/C4)	Awning Poles	(4)
(D)	Plastic Tarp	(1)
(E)	Front/back horizontal Bars	(2)
(F)	Side horizontal Bars	(2)
(G)	Triangle Supports	(8)

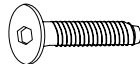


HARDWARE INCLUDED:

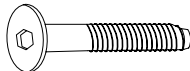
(H) 4mm Allen Key (1)



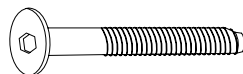
(I) Short Bolt 20mm (24)



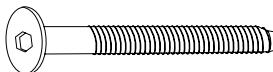
(J) Medium Bolt 40mm (8)



(K) Long Bolt 50mm (4)



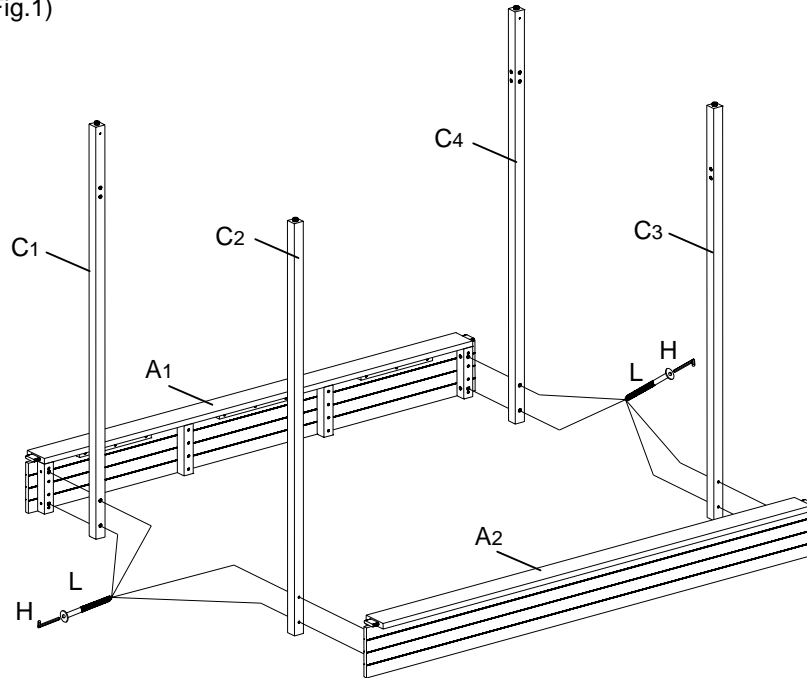
(L) Extra Long Bolt 60mm (16)



ASSEMBLY INSTRUCTIONS:

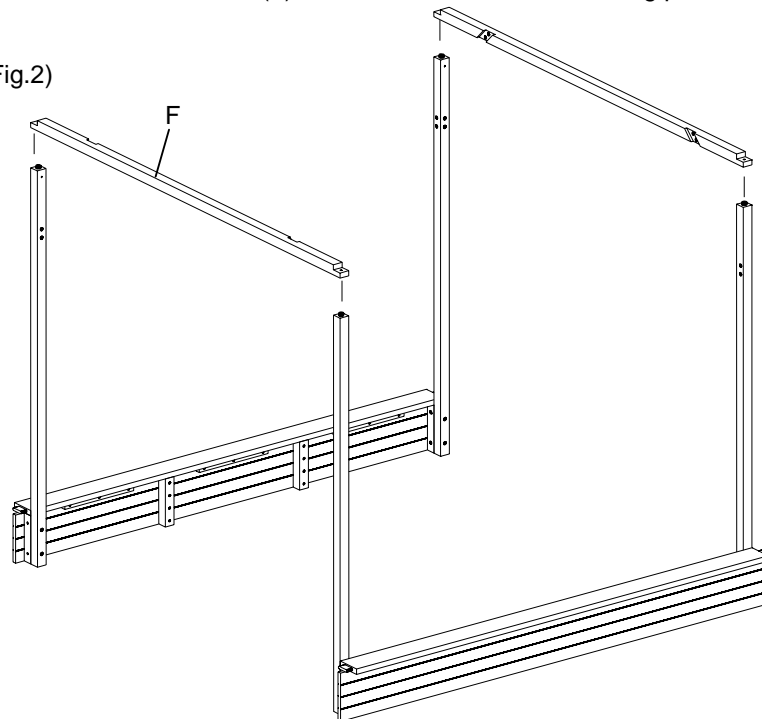
1. Align and assemble Awning poles (C1/C2/C3/C4) to the wood posts on each corner of the side panels (A1/A2) as shown. Secure them with the (2) Extra Long bolts (L) on each side using Allen key h. Repeat same procedure for back awning poles (D).

(Fig.1)



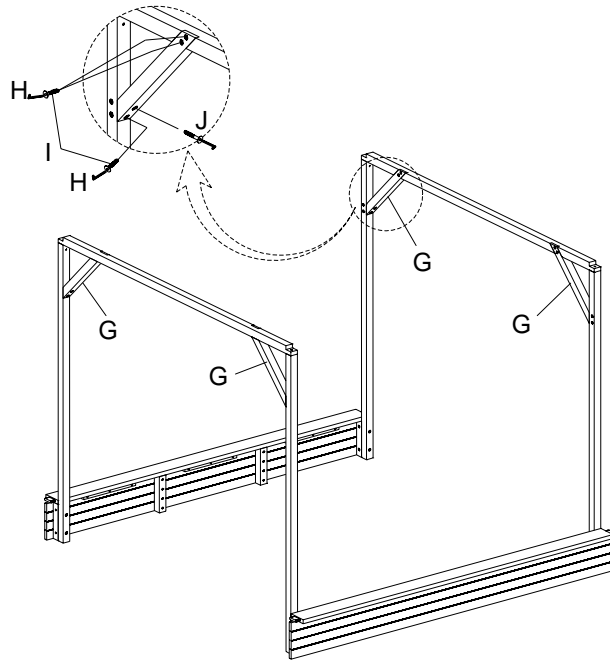
2. Assemble the side horizontal bar (F) as shown to connect the awning poles.

(Fig.2)

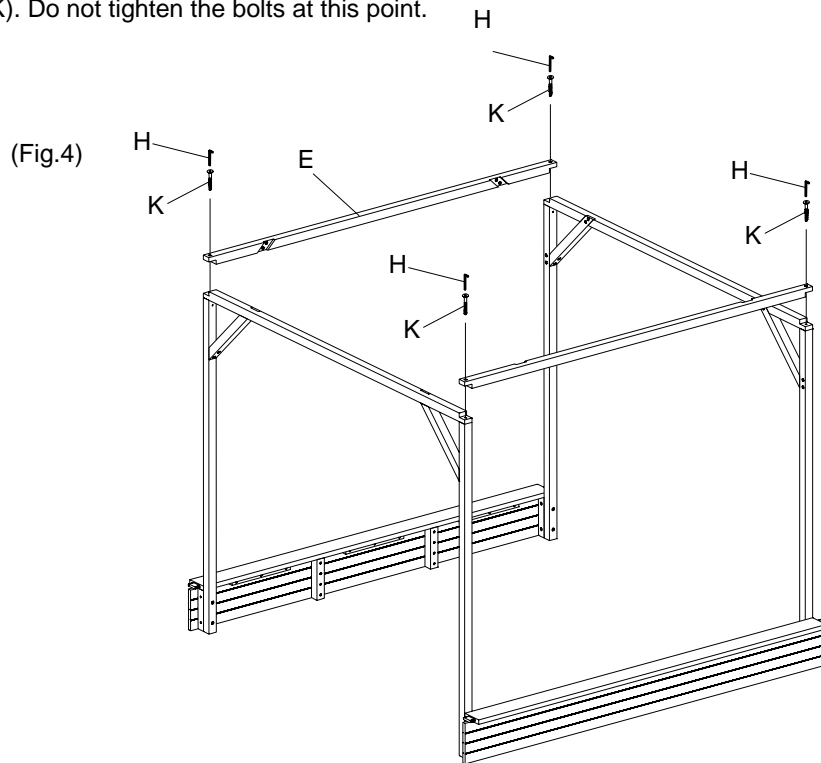


3. Attach the triangle supports (G) between the awning poles and side horizontal bar as shown. Secure them with the Short bolts (I) on the horizontal bar. Then, secure the triangle support to awning pole with Short bolt (I) at lower hole and Medium Bolt (J) for upper hole as shown. Do not tighten the bolts at this point.

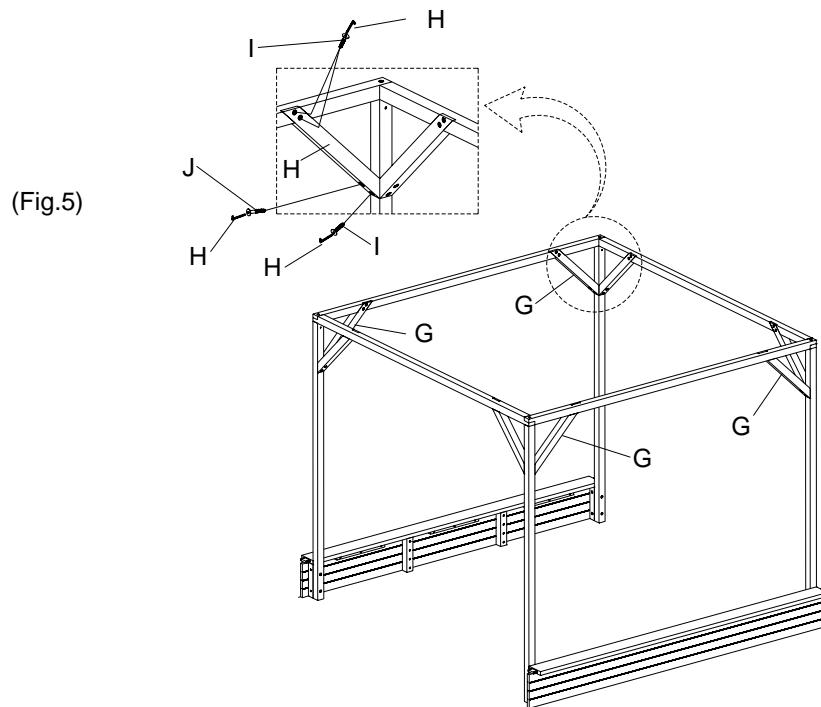
(Fig.3)



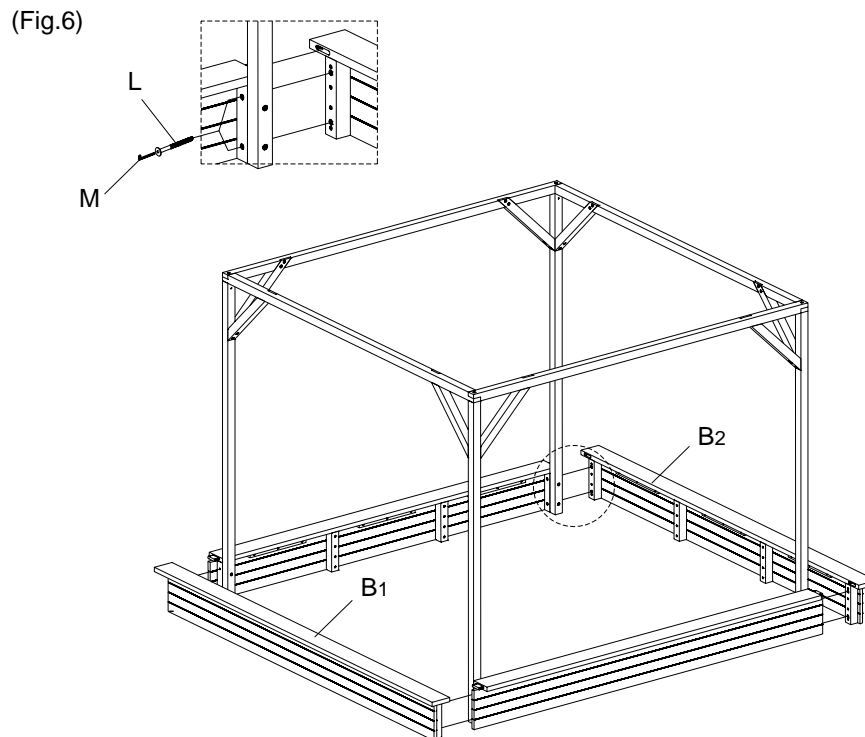
4. Attach the front/back horizontal bars (E) to awning poles as shown, then secure with Long bolts (K). Do not tighten the bolts at this point.



5. Attach the triangle supports (G) and repeat same procedure as step 3.

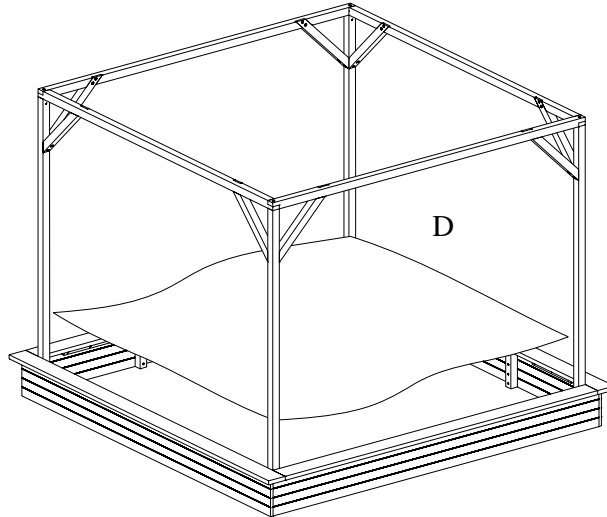


6. Assemble the side panel (B1/B2) to the front/back panel (A1/A2) with Extra Long bolt (L) as shown. Tighten all bolts.



7. Lay down the plastic tarp (D) to the center of the sandbox. Assembly is complete.

(Fig.7)



CARE INSTRUCTIONS:

- For daily care wipe with a soft dry cloth. Blot Spills immediately and wipe with a clean dry cloth.
- Store in a dry, covered area when not in use.
- We do not recommend the use of chemical cleansers, abrasives, or furniture polish.
- Over time, the product may begin to turn gray. To nourish the wood, wash with soap and water. When dry, apply a coating of teak oil with a clean cloth. Remove excess oil by blotting with a soft, clean cloth.

Thank you for your purchase
Stores | catalog | www.potterybarnkids.com
USA 1.800.290.8181