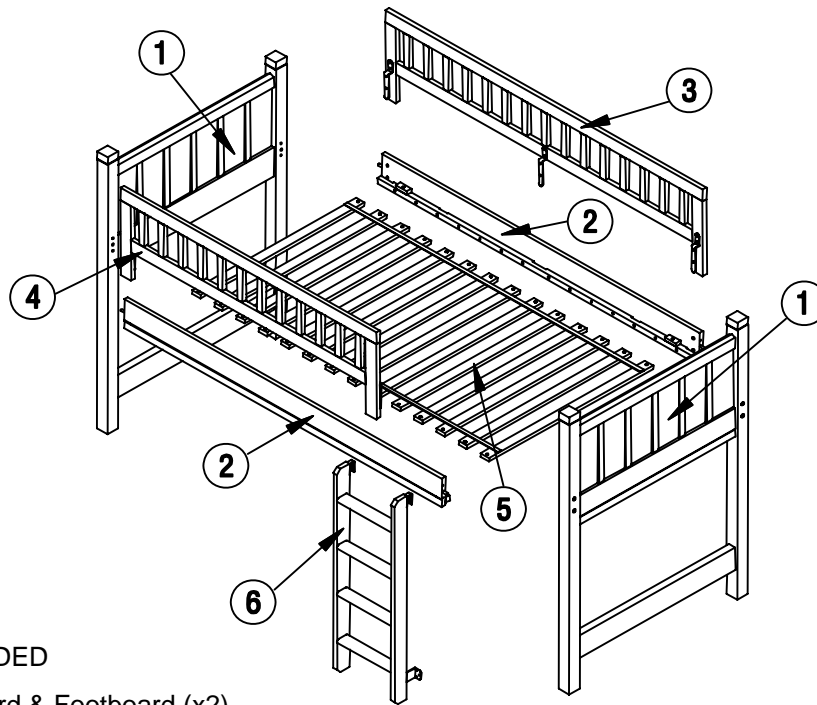


# pottery barn kids

## CAMP LOFT BED

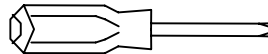


### PARTS INCLUDED

- 1 – Headboard & Footboard (x2)
- 2 – Side rails (x2)
- 3 – Long Guardrail (x1)
- 4 – Short Guardrail (x1)
- 5 – Slat Roll Set (x1)
- 6 – Ladder (x1)

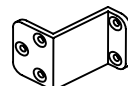
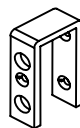
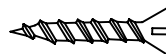
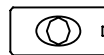
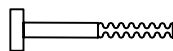
### TOOLS REQUIRED:

- Phillips head screw driver (not included)
- Allen Wrench (included)



### HARDWARE:

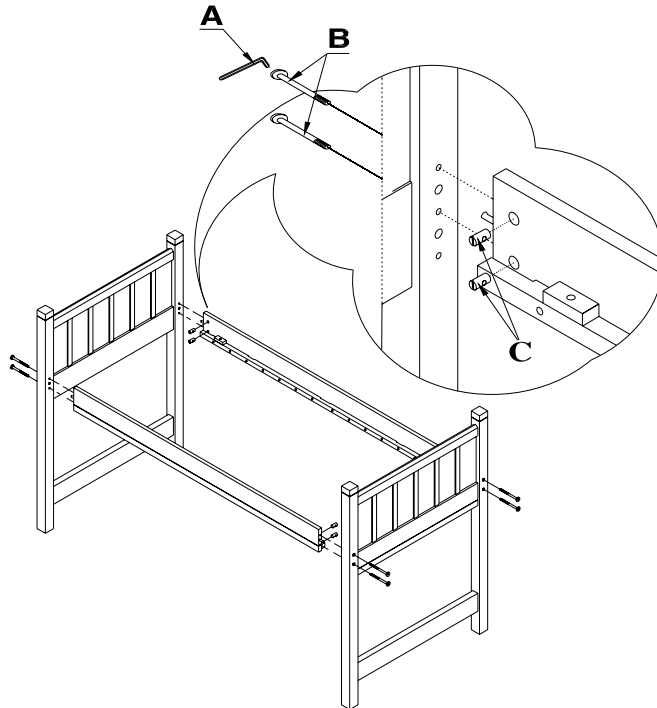
- A – Allen Wrench (x1)
- B – Long Bolts (x8)
- C – Barrel Nut (x 8)
- D – Small Phillips Head Screws (x 12)
- E – Large Phillips Head Screws (x 28)
- F – “U” shape metal bracket (x2)
- G – “S” shape metal bracket (x1)



**ASSEMBLY:**

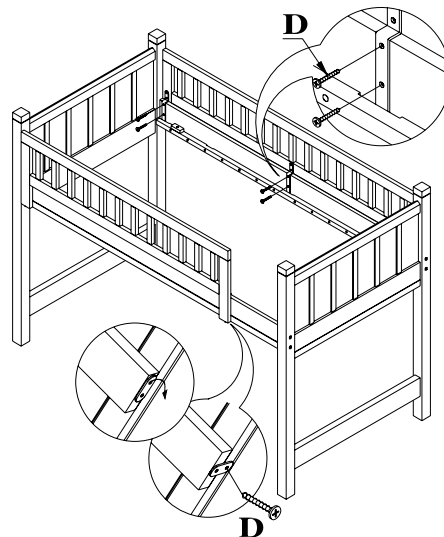
**Steps #1 through 2**

1. Insert barrel nuts (C) into each end of side rails (2).
2. Hold side rails up to upper most pre-drilled holes as shown below in headboard and foot board (1) and insert long bolt (B) from the outside of headboard and foot board into the barrel nut. Tighten with the Allen wrench (A) provided.



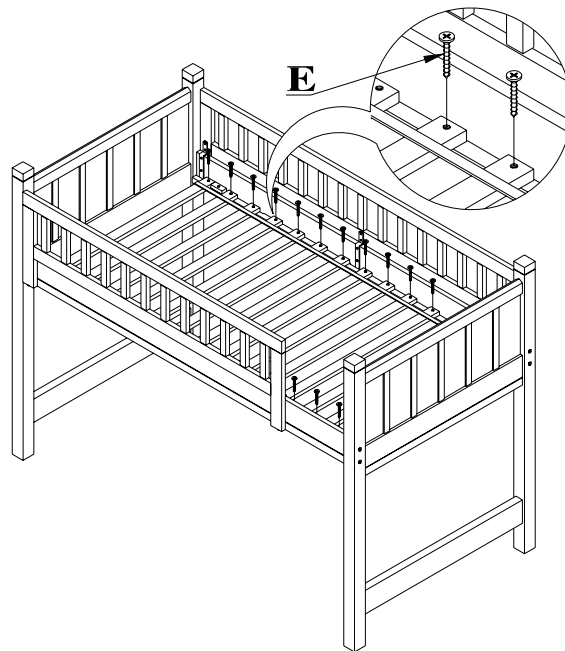
**Steps #3 through 4**

3. Install the short guardrail (4) onto the front side of the bed (the side that will eventually have the ladder) by placing bracket over side rail. Make sure there are no gap in between end of the short guardrail and bed end structure before you start to screw the parts together. Use the small Phillips head screws (D) to fasten the guardrail to the side rail with a Phillips head screwdriver.
4. Repeat the procedure with the long guardrail (3) on the backside of the bed as shown.



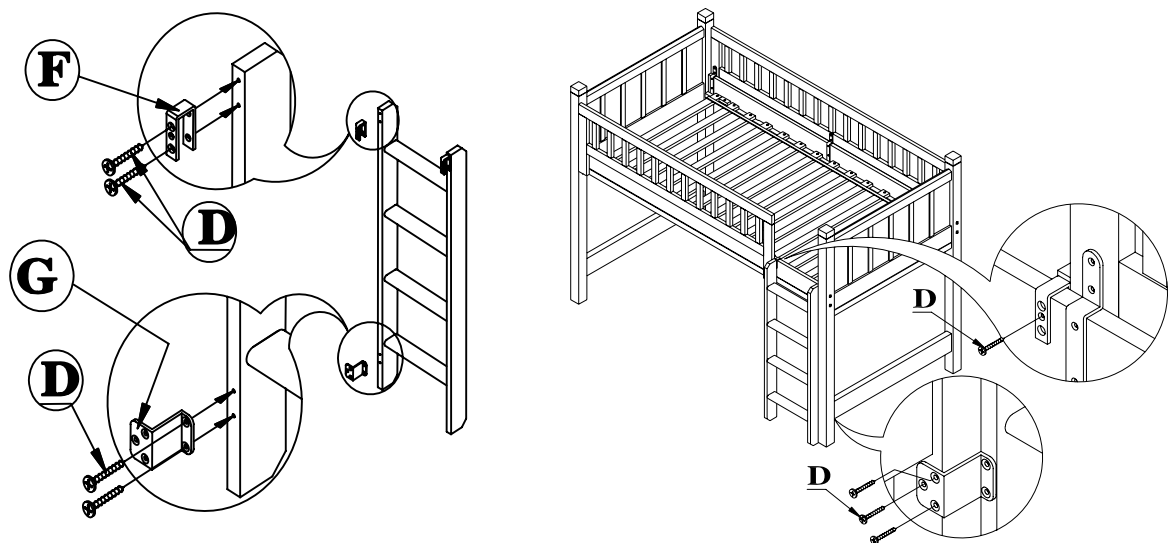
Step #5

5. Lay the slat roll set (5) in between the side rails, strap up. Use the large Phillips head screws (E) to fasten each slat to the side rails with a Phillips head screwdriver.



Step #6 through #7

6. Using the Small Phillips head screw (D), attach the "U" shape metal bracket (F) and "S" shape metal (G) to the ladder as shown.
7. Hang the ladder (6) to the front side rail as shown by placing the ladder top brackets over the side rail in the opening between the short guardrail and the bed end. Align the bottom bracket to the end leg. Fasten in place, as shown, with the small Phillips head screws (D) using a Phillips head screwdriver.



Thank you for your purchase.

stores | catalog | [www.potterybarnkids.com](http://www.potterybarnkids.com)