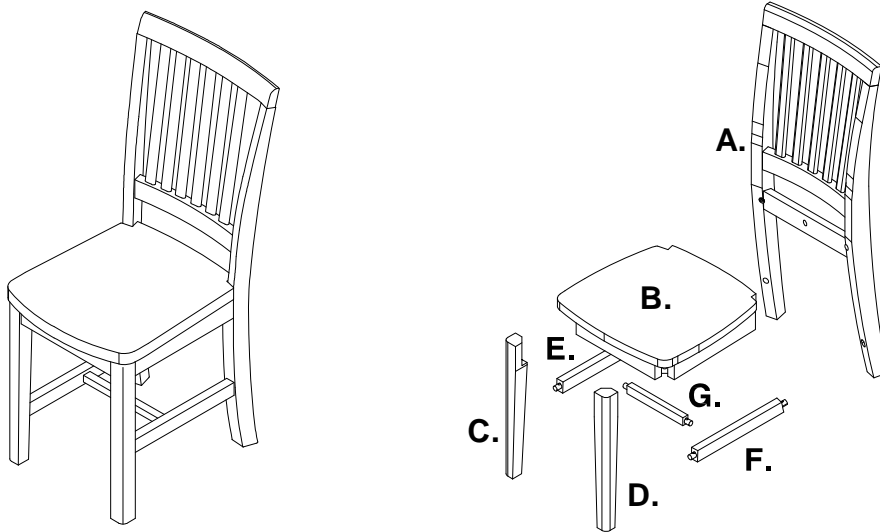


pottery barn kids

CAROLINA STATIONARY DESK CHAIR

IMPORTANT SAFETY INSTRUCTIONS:

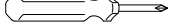
Please read all instructions carefully before assembling.
For your safety, assembly by two adults is recommended.



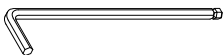
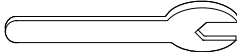
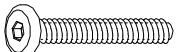
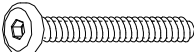




PARTS INCLUDED:

- (A) Rear Leg Panel – 1pc
- (B) Chair Seat – 1pc
- (C) Left Front Leg – 1pc
- (D) Right Front Leg – 1pc
- (E) Left Stretcher – 1pc
- (F) Right Stretcher – 1pc
- (G) Center Rail – 1pc

TOOLS REQUIRED:

Philips Head Screw Driver 
(not included)

HARDWARE INCLUDED:

 (H) Allen Key – 1x	 (I) Wrench – 1x	 (J) Short Bolt 1/4"x38mm – 1x
 (K) Long Bolt 1/4" x 64mm – 2x	 (L) Flat Washer 1/4" – 7x	 (M) Spring Washer 1/4" – 7x
 (N) Nut – 4x	 (O) Wood Screw 4x35mm – 6x	

PRE-ASSEMBLY:

- The illustrations provided allow for easier assembly when used in conjunction with the assembly instructions.
- Remove all parts and hardware from box and lay out on a carpeted or scratch-free work surface, as this will avoid damaging any parts during assembly. The shipping box provides an ideal work surface. Do not dispose of any contents until assembly is completed to avoid accidentally discarding small parts or hardware.
- Save all packing materials until assembly is complete to avoid accidentally discarding smaller parts or hardware.
- Use the parts and hardware lists to identify and separate each of the pieces included prior to starting assembly.
- Note: DO not fully tighten all bolts until all parts are in place. Failure to follow these instructions may cause the bolts to misalign during assembly.
- If using power tools to aid in assembly please use caution. Power tools can damage hardware of split wood.

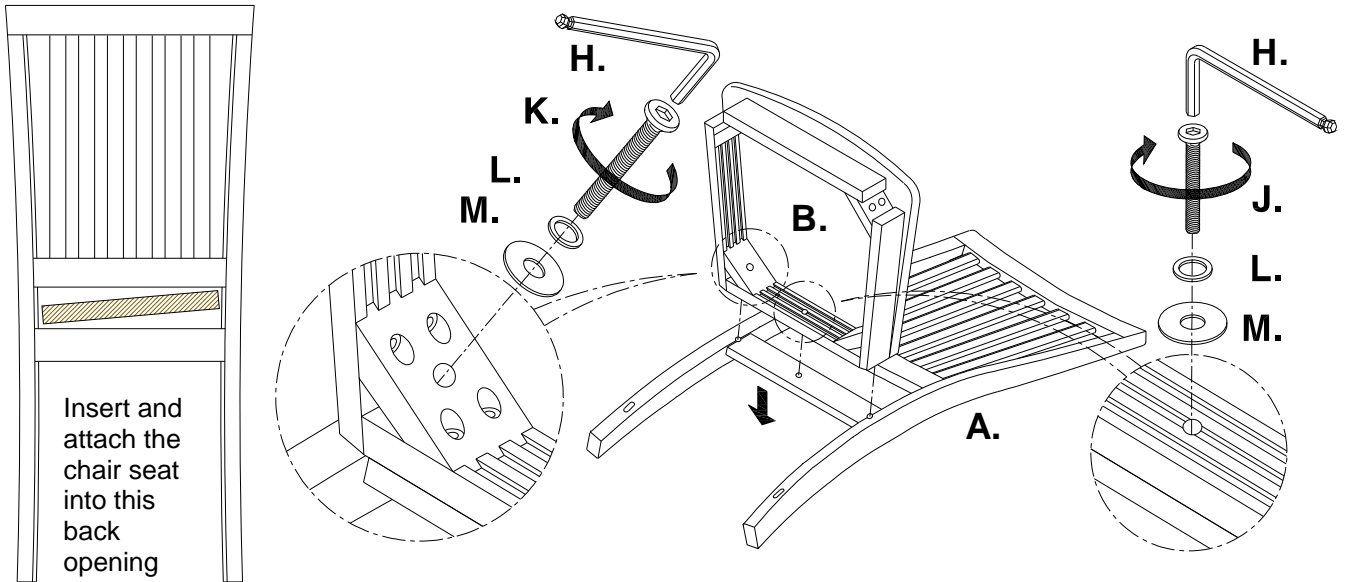
CARE INSTRUCTIONS:

- Dust often using a clean, soft, dry lint-free cloth.
- Blot spills immediately, and wipe with a clean, damp, cloth.
- We do not recommend the use of chemical cleansers, abrasives, or furniture polish on our lacquered finish.

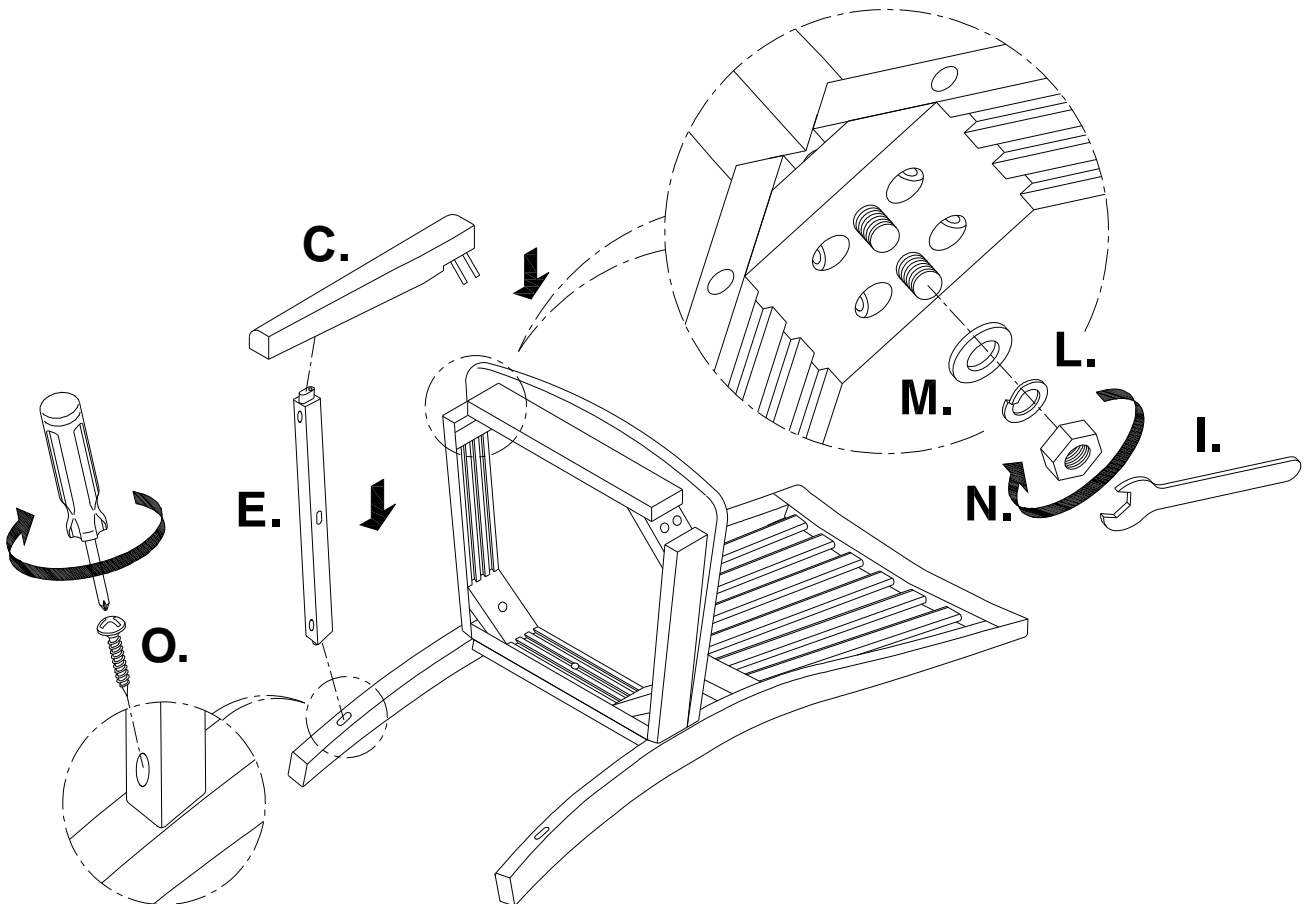
ASSEMBLY INSTRUCTIONS:

- Slide a Spring Washer (L) and a Flat Washer (M) onto each Long and Short Bolts (J&K). Attach Chair Seat (B) to Rear Leg Panel (A) by inserting the back side of this Chair Seat into the back opening of the rear leg panel at a slight angle (see below example).

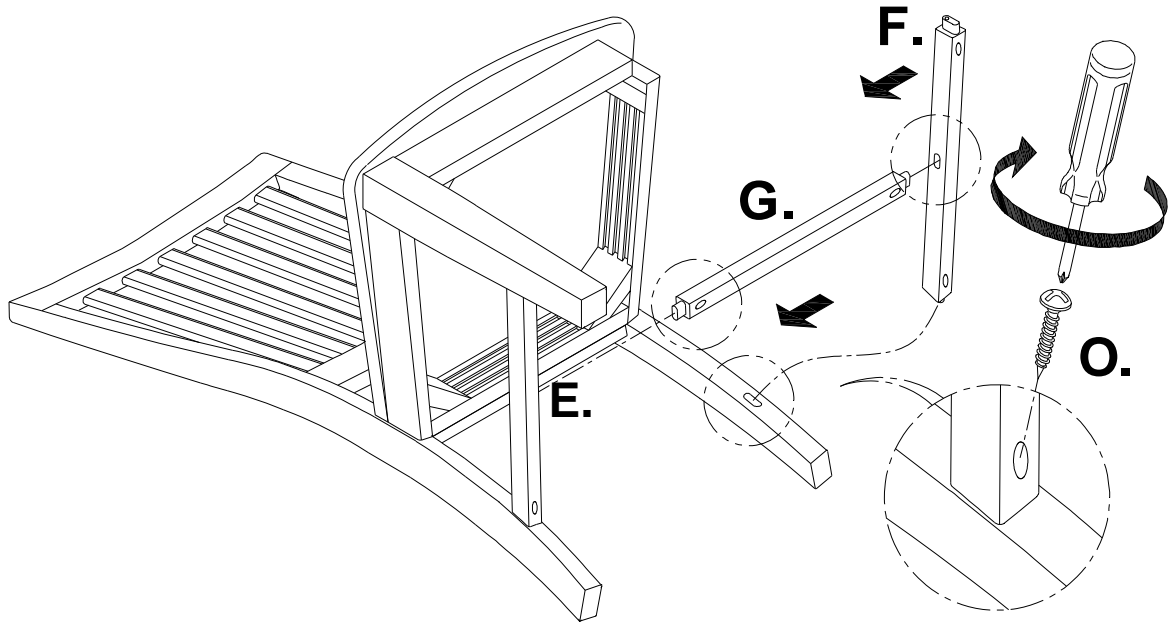
Insert (2) Long Bolts (K) with washers from triangle blocks under chair seat into pre-installed insert nuts located on legs of Rear Leg Panel (A) using Allen Key (H). Insert (1) Short Bolt (J) with washers from pre-drilled hole located between the two triangle blocks into pre-installed insert nuts located on the Rear Leg Panel (A).



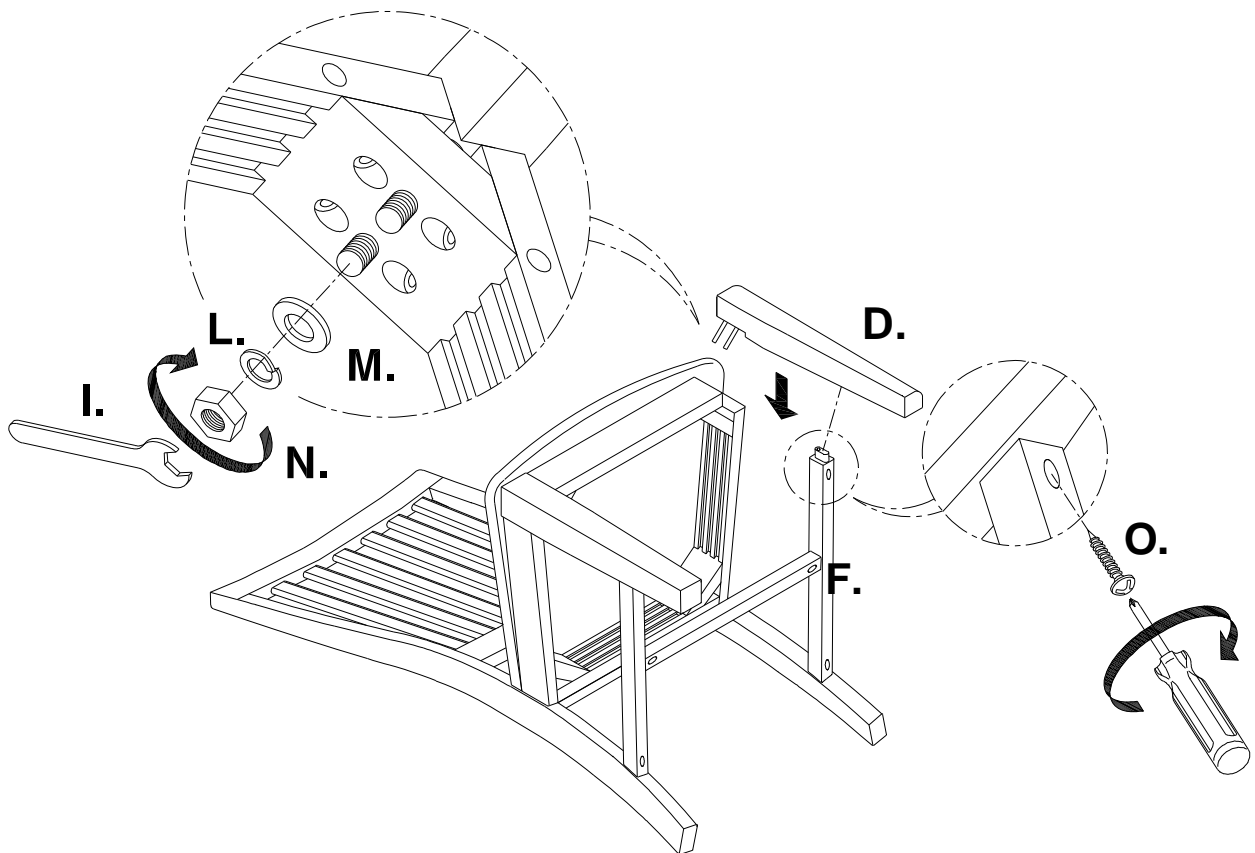
- Attach Left Stretcher (E) to opening on the left rear leg and make sure opening in middle of the Left Stretcher faces inwards while screw pockets on two ends face downwards as shown below. Connect Left Front Leg (C) to corner of the Chair Seat and align opening on the leg to Left Stretcher (E). Secure the leg to the chair seat with a Flat Washer (M), a Spring Washer (L) and a Nut (N) using Wrench (I). Insert (2) Wood Screw (O) from screw pockets on Left Stretcher (E) into the left front and left rear legs to secure.



- Attach one end of the Center Rail (G) to opening on the Left Stretcher (E) and the other end to opening in middle of Right Stretcher (F). Make sure screw pockets on Center Rail (G) and Right Stretcher (F) all face downwards. Connect one end of the Right Stretcher (F) to opening on the right rear leg. Insert (2) Wood Screws (O) from screw pockets on Center Rail (G) to secure Center Rail (G) to Left/Right Stretcher (E&F). Insert (1) Wood Screw (O) from screw pocket on Right Stretcher (F) to secure Right Stretcher to the rear leg.



- Connect Right Front Leg (D) to corner of Chair Seat and align opening on the leg to Right Stretcher (F). Secure the leg to the Chair Seat with a Flat Washer (M), a Spring Washer (L) and a Nut (N) using Wrench (I). Insert (1) Wood Screw (O) from screw pocket on Right Stretcher (F) to secure Right Stretcher (F) to Right Front Leg (D).



- Assembly completes. Upright the assembled chair to use.

Thank you for your purchase.
 stores | catalog | www.potterybarnkids.com
 USA 1.800.290.8181