

# pottery barn kids

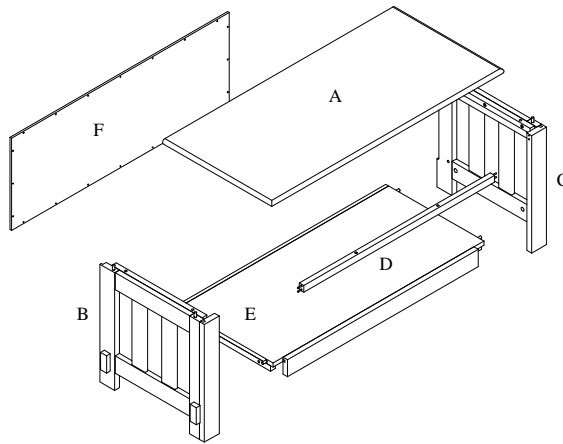
## KENDALL 1 SHELF BOOKCASE

### PRE-ASSEMBLY:

- Please read all instruction before beginning assembly. The illustrations provided allow for easier assembly when used in conjunction with the assembly instructions.
- Remove all parts and hardware from box and lay out on a carpeted or scratch-free work surface, as this will avoid damaging any parts during assembly. The shipping box provides an ideal work surface. Do not dispose of any contents until assembly is completed to avoid accidentally discarding small parts or hardware.
- For your safety and ease, adult assembly by two people is recommended.
- Save all packing materials until assembly is complete to avoid accidentally discarding smaller parts or hardware.
- Use the parts and hardware lists to identify and separate each of the pieces included prior to starting assembly.
- Note: Do not fully tighten all bolts until all parts are in place. Failure to follow these instructions may cause the bolts to misalign during assembly.
- If using power tools to aid in assembly please use caution. Power tools can damage hardware or split wood.

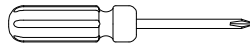
### PARTS INCLUDED:

- (A) Top - 1pc
- (B) Left panel - 1pc
- (C) Right panel - 1pc
- (D) Front rail - 1pc
- (E) Fixed shelf - 1pc
- (F) Back panel - 1pc



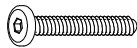
### TOOLS REQUIRED:

Phillips head screwdriver (not included)



### HARDWARE ENCLOSED:

(G) 1/4x 1-1/4" Bolts - 10pcs



(H) Washer 1/4mm - 8pcs



(I) Spring washer 1/4mm - 8pcs



(K) #3x19mm – 20pcs



(L) 4mm Allen Key – 1pc

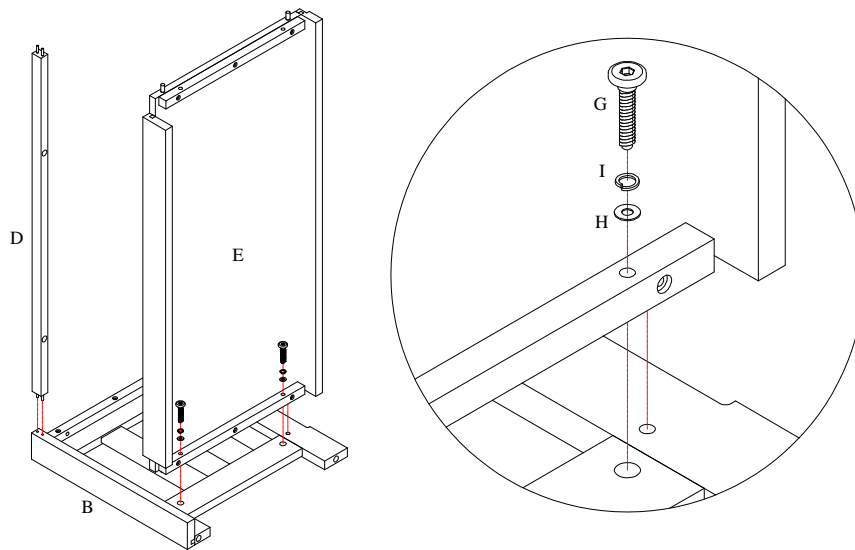


**ASSEMBLY INSTRUCTIONS:**

1. Position the Side panel (B) and the fixed shelf (E) exactly as shown (Fig.1) Align the pre-drilled holes on the Side panel (B) with the pre-drilled holes on the cleat on the fixed shelf (E). Insert the Washer (H), Spring washer (I) and 1/4x 1-1/4" Bolt (G) through pre-drilled holes on the side panel (B) and the pre-drilled holes on the cleat on the fixed shelf (E), tighten with the Allen key (L) provided

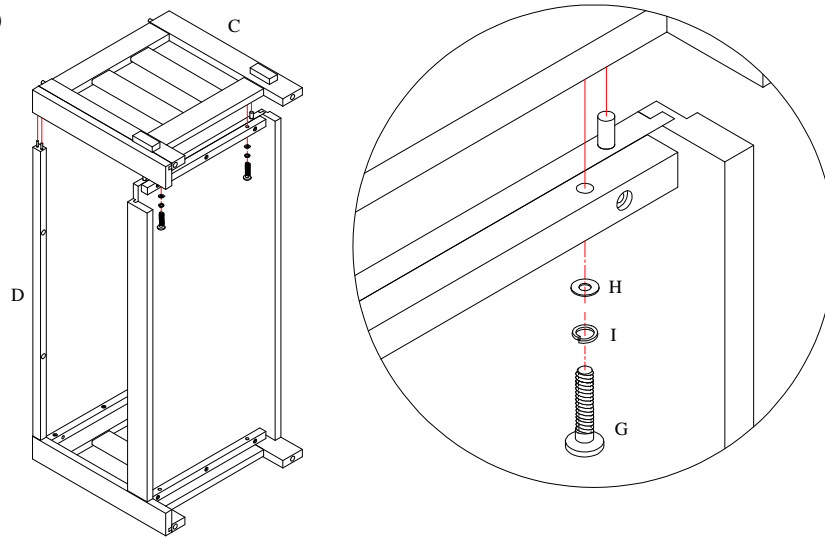
Position the Front rail (D) exactly as shown (Fig.1).

(Fig. 1)



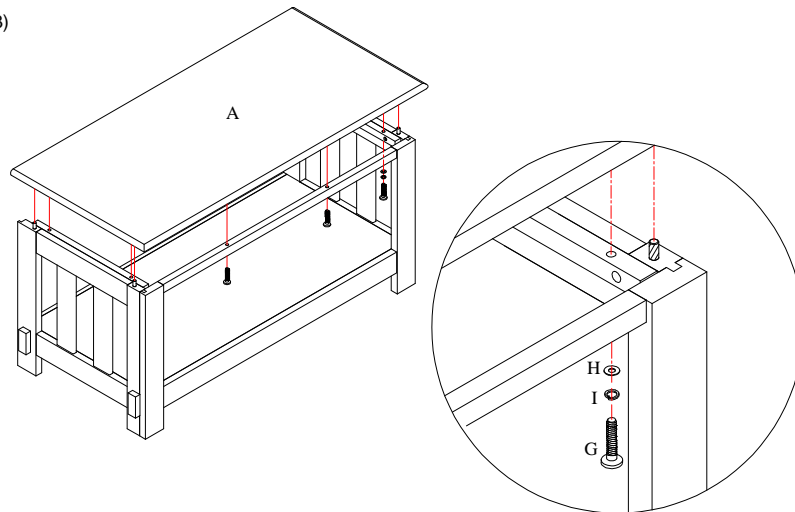
2. Position the Panel (C) and the assembled frame (assembled in step 1) exactly as shown. (Fig.2) Align the pre-drilled holes on the Side panel (C) with the pre-drilled holes on the assembled frame. Insert the Washer (H), Spring washer (I) and 1/4x 1-1/4" Bolt (G) through pre-drilled holes on the side panel, tightening with the Allen key (L) provided.

(Fig. 2)



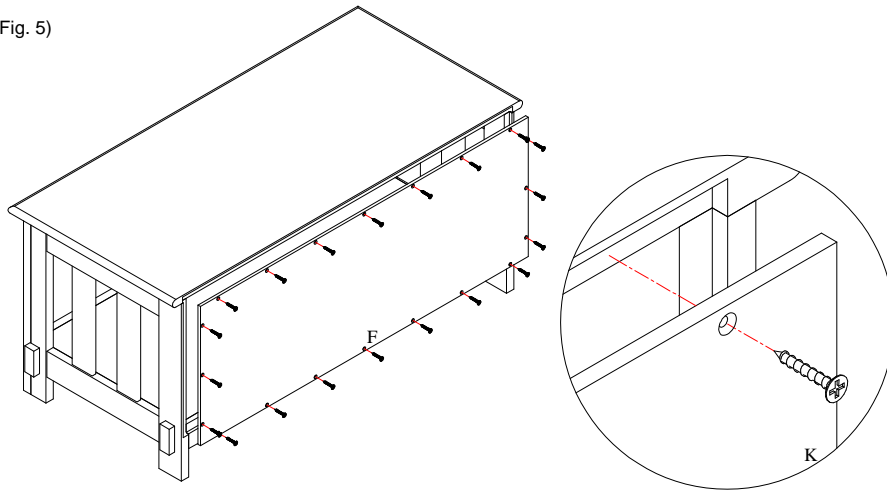
3. Attach the Top (A) onto the assembled frame (assembled in step 2) by inserting the pre-attached wooden dowels on the top horizontal rails of the side panels into the pre-drilled holes on the Top (A). Insert Allen Bolts into the pre-drilled holes at both ends of the Top. Once all bolts are in place, fully tighten them using the 4mm Allen key (L) provided.

(Fig. 3)



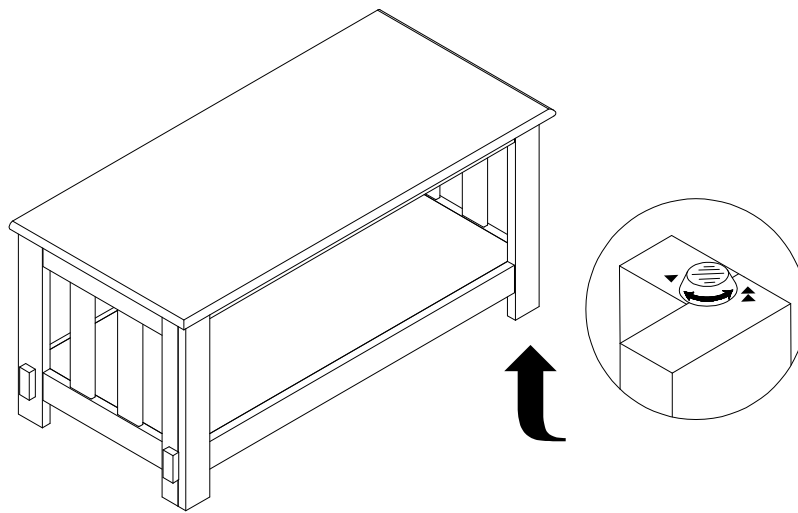
4. Attach the Back Panel (F) to the back of the unit. Insert the Screws through pre-drilled holes of the Back panel (F) into the unit. Secure with Philips Head Screwdriver.

(Fig. 5)



5. Adjust the Adjustable Levelers on the bottom of the Legs by loosening or tightening them so the Kendall 1 Shelf Bookcase sit evenly on floor.

(Fig. 5)



CARE INSTRUCTIONS:

- Dust often using a clean, soft, dry lint-free cloth.
- Blot spills immediately, and wipe with a clean, damp, cloth.
- We do not recommend the use of chemical cleansers, abrasives, or furniture polish on our lacquered finish.

Thank you for your purchase  
stores | catalog | [www.potterybarnkids.com](http://www.potterybarnkids.com)