

pottery barn kids

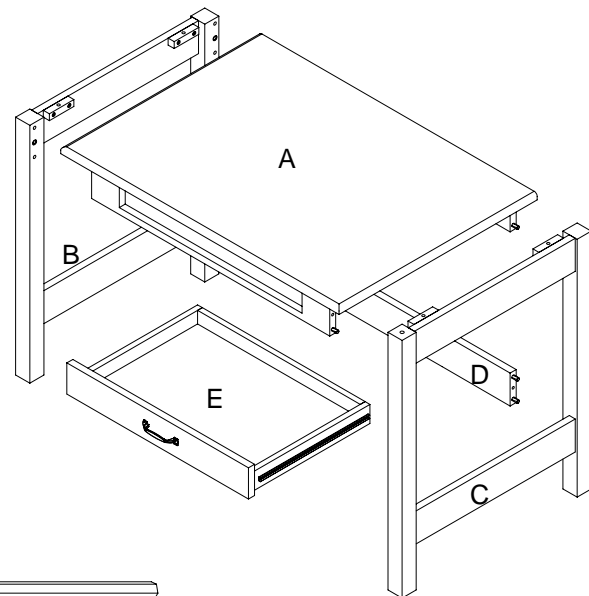
KENDALL SMALL DESK

PRE-ASSEMBLY:

- Please read all instruction before beginning assembly. The illustrations provided allow for easier assembly when used in conjunction with the assembly instructions.
- Remove all parts and hardware from box and lay out on a carpeted or scratch-free work surface, as this will avoid damaging any parts during assembly. The shipping box provides an ideal work surface. Do not dispose of any contents until assembly is completed to avoid accidentally discarding small parts or hardware.
- For your safety and ease, adult assembly by two people is recommended.
- Save all packing materials until assembly is complete to avoid accidentally discarding smaller parts or hardware.
- Use the parts and hardware lists to identify and separate each of the pieces included prior to starting assembly.
- Note: Do not fully tighten all bolts until all parts are in place. Failure to follow these instructions may cause the bolts to misalign during assembly.
- If using power tools to aid in assembly please use caution. Power tools can damage hardware or split wood.

PARTS INCLUDED:

- (A) Table Top – 1pc
- (B) Left Side Board – 1pc
- (C) Right Side Board – 1pc
- (D) Back Rail – 1pc
- (E) Drawer – 1pc

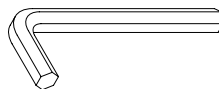


HARDWARE ENCLOSED:

- (F) 4mm Allen Key – 1pc



- (G) 6mm Allen key – 1pc



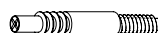
- (H) 1/4" x 1" Allen Bolt – 4pc



- (I) Cam – 6pcs

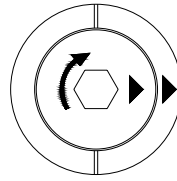


- (J) Cam screw – 6pcs



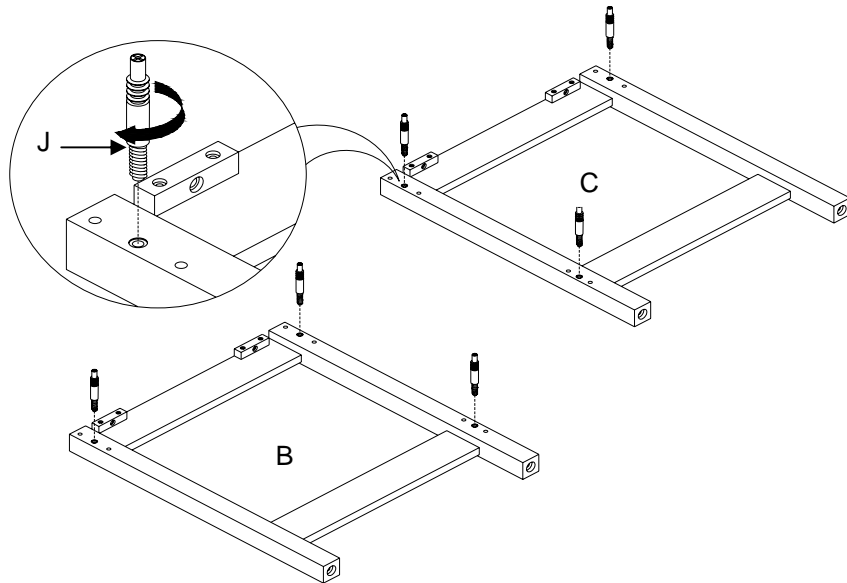
ASSEMBLY INSTRUCTIONS:

Note: Align outer arrow on cam with inner arrow at center of cam prior to insertion into the countersunk.



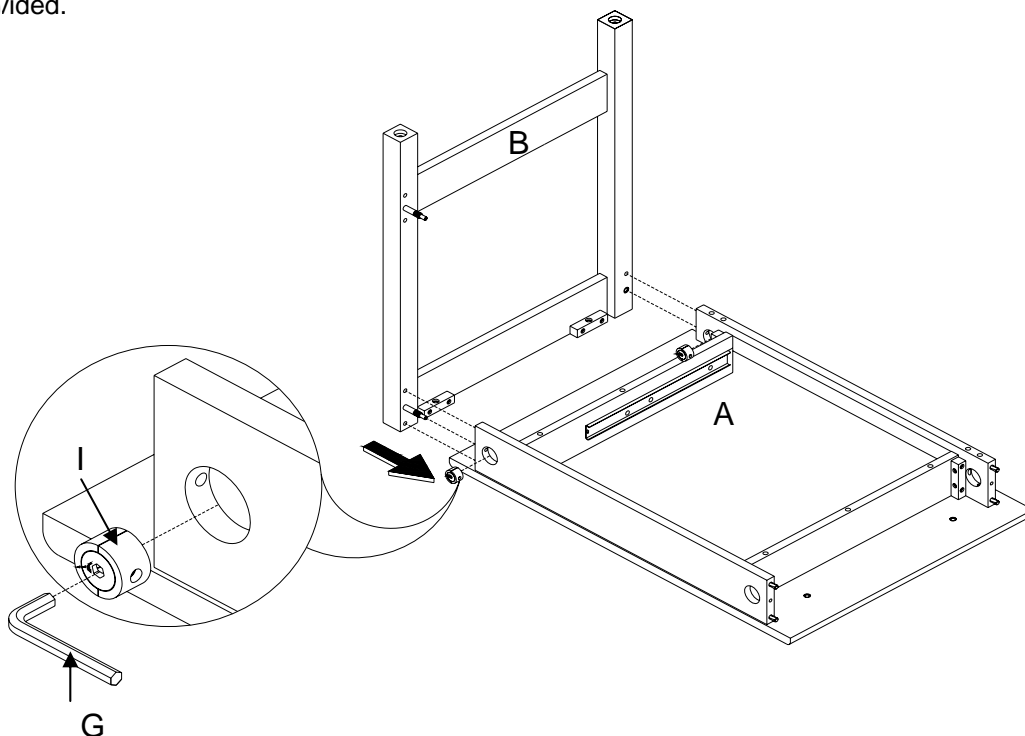
1. Position the Left Side Board (B) and the Right Side Board (C) exactly as shown in Figure 1. Screw the (6) Cam Screws (J) fully inserted into the insert nuts on the Side boards (B) & (C).

(Fig. 1)



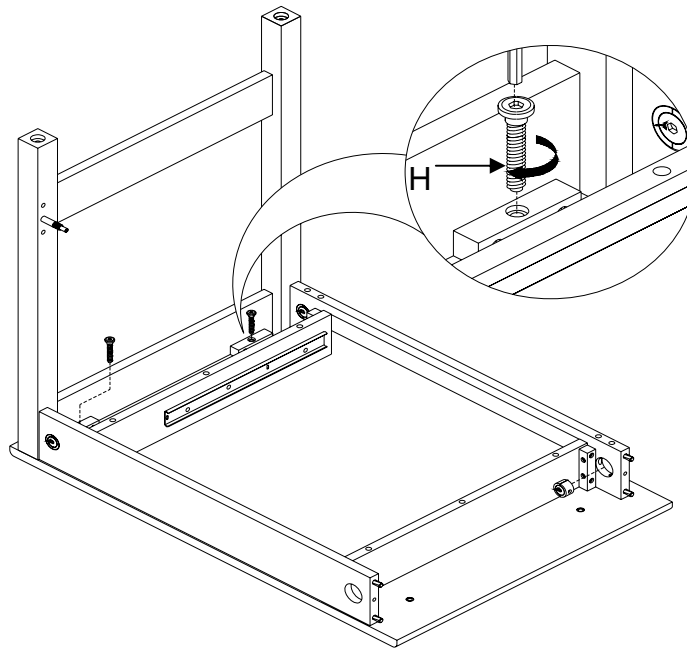
2. Carefully place the Table Top (A) facedown on a non-scratch surface. Insert (2) the Cams (I) into the pre-drilled holes both ends of the rails on the Table Top (A). Align the arrow mark on the Cam (I) with the cross pre-drilled hole at the end of each rail. Position the Table Top (A) and the Left Side Board (B) exactly as shown in Figure 2. Insert the wooden dowels on the Table Top (A) into the pre-drilled holes on the Left Side board (B). Insert the Cam Screw (J) on the Left Side Board (B) into the Cam (I) of the Table Top (A). Tighten two Cams (I) securely with 6mm Allen Key (G) provided.

(Fig. 2)



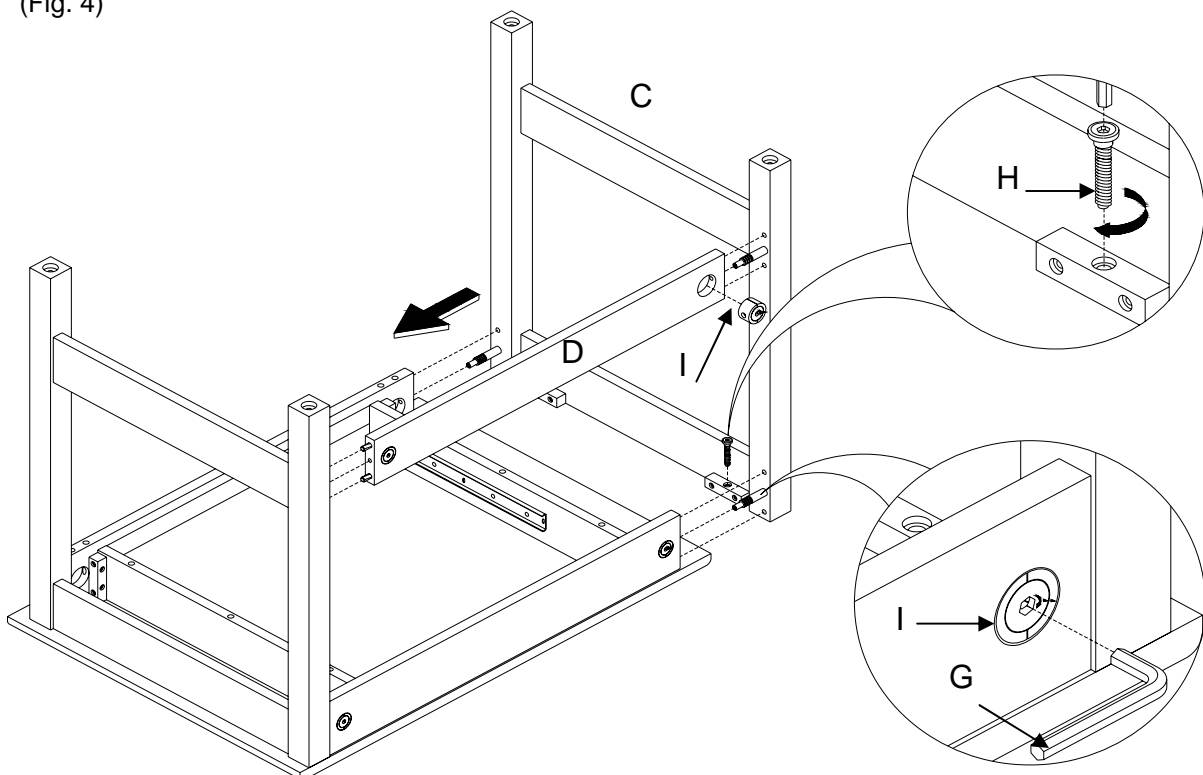
3. Insert (2) 1/4"x 1" Allen Bolts (H) through the pre-drilled holes of the wood cleats on the Left Side Board (B) and tighten securely with 4mm Allen Key (F) provided. See figure 3.

(Fig. 3)



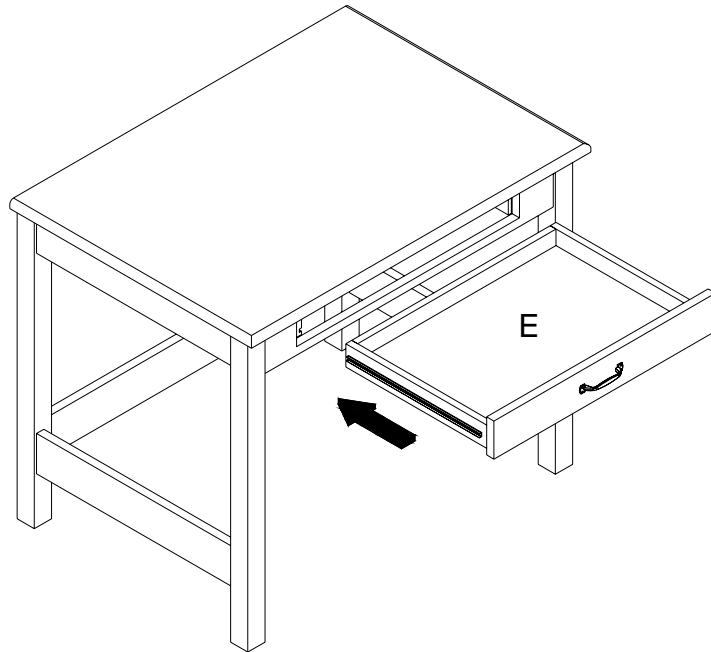
4. Insert (2) Cams (I) into the pre-drilled holes at the two ends of the Back Rail (D) and (2) Cams (I) into the pre-drilled holes at the other end of the rails on the Table Top (A). Align the arrow mark on the Cams (I) with the cross pre-drilled hole at the end of Back Rail (D) and the rails on Table Top (A). Attach the Back Rail (D) and the Right Side Board (C) to the parts (assembled in step 3) as shown in figure 4. Insert the wooden dowels at the end of Back Rail (D) and Table Top (A) into the pre-drilled holes on the leg frames. Insert the Cam Screws (J) on the legs into the Cams (I). Tighten all Cams (I) securely with the 6mm Allen Key (G) provided. Then, insert (2) 1/4"x 1" Allen Bolts (H) through the pre-drilled holes of the wooden cleats on the Right Side Board (C) and tighten securely with the 4mm Allen Key (F) provided.

(Fig. 4)



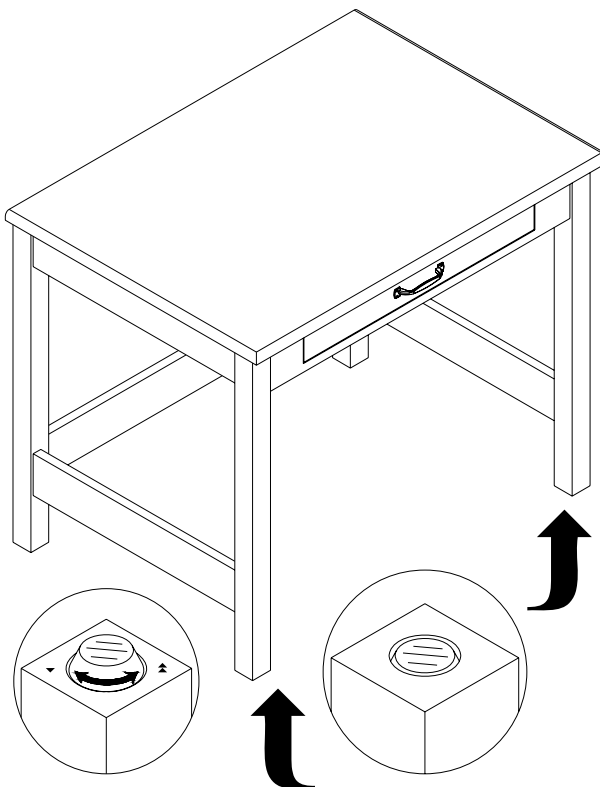
5. Turn the desk upright exactly as shown in Figure 5. Attach the Drawer (E) to the Table Top (A) by inserting the Drawer's glides, which are pre-mounted on two sides of the Drawer (E) into the runners, which are pre-assembled on the Table Top (A). Push the Drawer (E) in until the drawer sits into place. See figure 5.

(Fig. 5)



6. If necessary, the levelers on the underside of the legs can be adjusted. See figure 6.

(Fig. 6)



CARE INSTRUCTIONS:

- Dust often using a clean, soft, dry lint-free cloth.
- Blot spills immediately, and wipe with a clean, damp, cloth.
- We do not recommend the use of chemical cleansers, abrasives, or furniture polish on our lacquered finish.

Thank you for your purchase
stores | catalog | www.potterybarnkids.com
USA 1.800.290.8181