

pottery barn kids

Parsons Desk

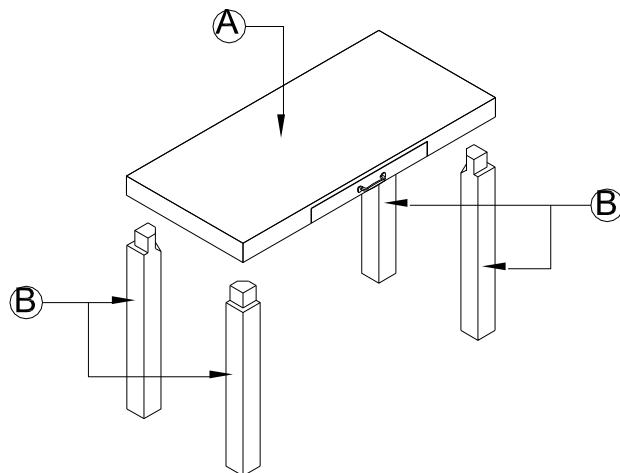
PRE- ASSEMBLY:

- Remove all parts and hardware from box and lay out on a carpeted or scratch-free work surface (The shipping box provides an ideal work surface), as this will avoid damaging any parts during assembly. Do not dispose of any contents until assembly is completed to avoid accidentally discarding small parts or hardware.
- Two people are recommended for ease of assembly.
- Use the parts and hardware lists to identify and separate each of the pieces included prior to starting assembly.
- The illustrations provided allow for easier assembly when used in conjunction with the assembly instructions.
- Note: Do not fully tighten all bolts until all parts are in place. Failure to follow these instructions may cause the bolts to misalign during assembly.
- If using power tools to aid in assembly please use caution. Power tools can damage hardware of split wood.

PARTS INCLUDED:

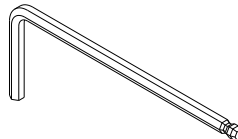
A – Top panel (x1)

B – Leg (x4)

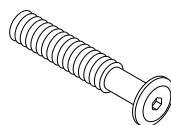


HARDWARE:

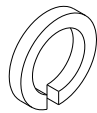
C – Ball Tip Allen Key (included)



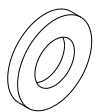
D – Allen bolt 5/16"x57x13mm (x8)



E –Spring Washer 5/16”x13x2mm (x8)

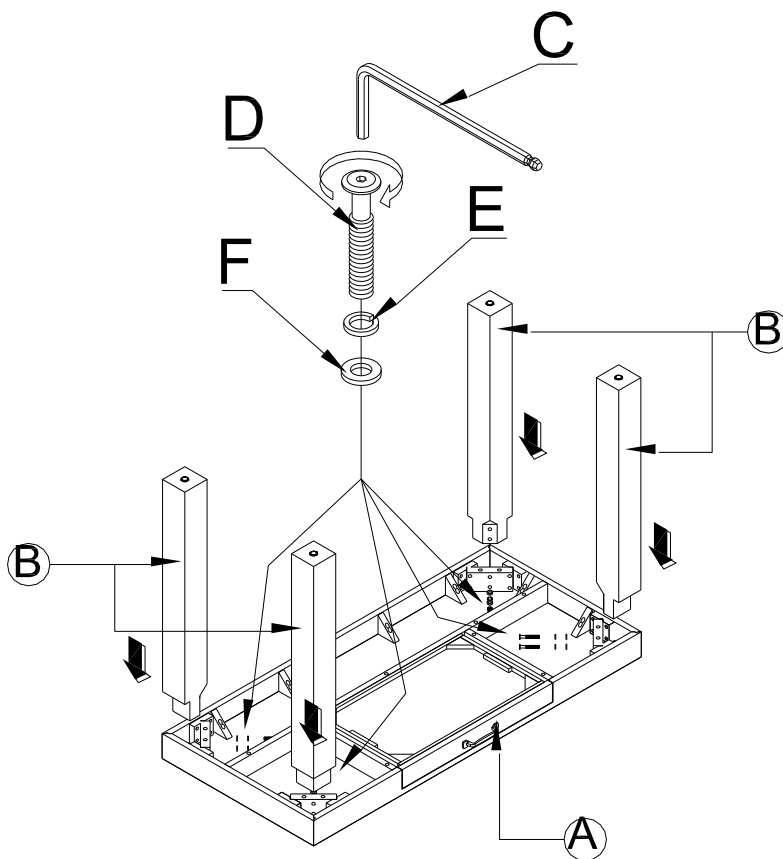


F –Flat washer 5/16”x15x2mm (x8)

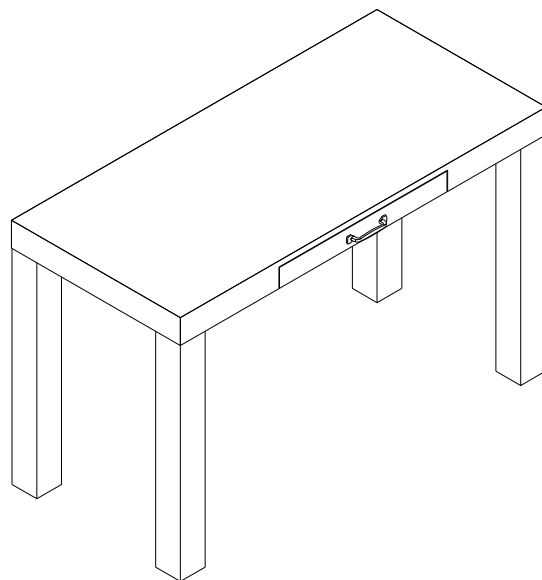
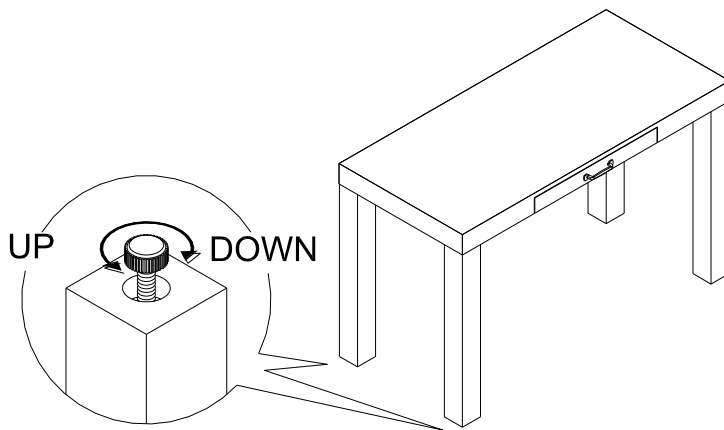


ASSEMBLY:

1. Lay down the Top Panel(A) on a soft, scratch-free surface such as a rug or carpet. Attach the 4 legs(B) with 8pcs of Allen Bolts(D) insert through the Spring Washer (E) and Flat Washer (F). Loosely tighten All bolts with Allen Key (C)



2. Bring the assembled desk upright, adjust levers on the feet of the unit in or out to level the desk.



CARE INSTRUCTIONS:

- Dust often using a clean, soft, dry lint-free cloth.
- Blot spills immediately, and wipe with a clean, damp, cloth.
- We do not recommend the use of chemical cleansers, abrasives or furniture polish.

Thank you for your purchase

stores | catalog | www.potterybarnkids.com

USA 1.800.290.8181