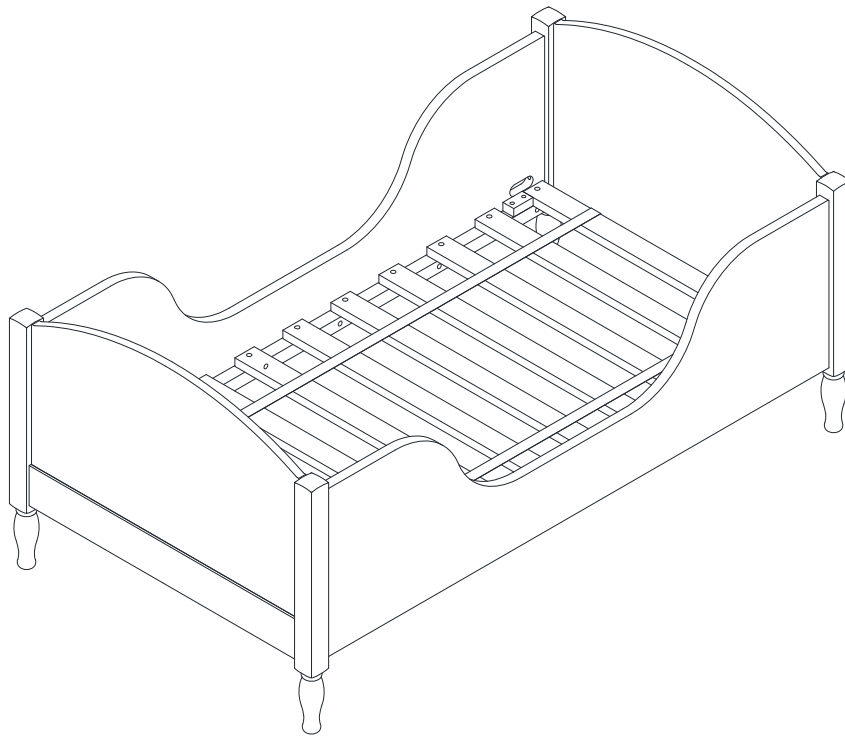


pottery barn kids



SHELTER TODDLER BED

www.potterybarnkids.com



WARNING ENTRAPMENT/STRANGULATION HAZARD:

- Infants have died in toddler beds from entrapment and strangulation.
- Failure to follow these warnings and assembly instructions could result in serious injury or death.
- NEVER use bed with children under 15 months.
- NEVER place bed near windows where cords from blinds or drapes may strangle a child.
- Read all instructions before assembling toddler bed. KEEP INSTRUCTIONS FOR FUTURE USE.
- **DO NOT** use a water mattress with this toddler bed.
- Never use plastic shipping bags or other plastic film as mattress covers because they can cause suffocation.
- **DO NOT** place bed near windows where cords from blinds or drapes may strangle a child.
- **Do not** place items with a string, cord, or ribbon around a child's neck, such as hood strings or pacifier cords.
- **Do not** suspend strings over a toddler bed or attach strings to toys.
- If refinishing, use a non-toxic finish specified for children's products.
- If included, always use guardrail(s).

CAUTION: ANY MATTRESS USED IN THIS TODDLER BED MUST BE AT LEAST 27 ¼" (69 CENTIMETERS) BY 51 5/8" (131 CENTIMETERS) WITH A THICKNESS NOT EXCEEDING 6" (15 CENTIMETERS) BUT AT LEAST 4" (10 CENTIMETERS).

THIS BED IS FOR CHILDREN OVER 15 MONTHS OF AGE WEIGHING NO MORE THAN 50 POUNDS (22.7 kg).

04-000032-6

Important Safety Instructions:

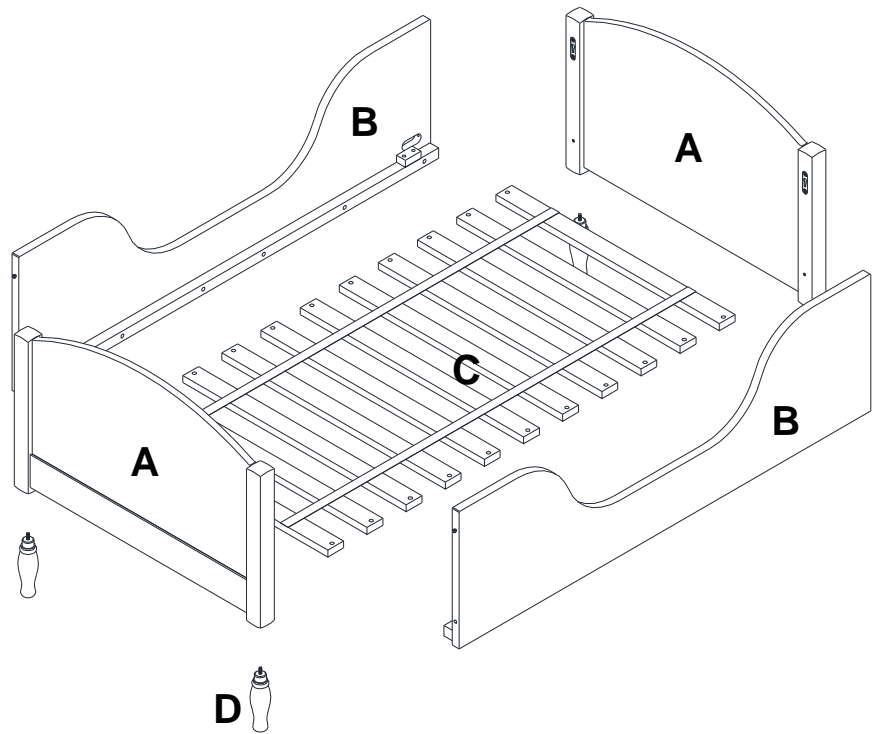
- Please read all instructions carefully before assembling.
- For your safety, assembly by two or more adults is strongly recommended.
- Keep instructions for future use.
- Use only vendor supplied hardware to assemble. Using unauthorized hardware could jeopardize the structural integrity of the item.

Pre-assembly:




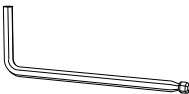

- Remove all parts and hardware from the box and lay out on a clear carpeted or scratch-free work surface, as this will avoid damaging parts during assembly. The shipping box provides an ideal work surface.
- Do not dispose of any packaging or contents of the shipping carton until assembly is completed to avoid accidentally discarding small parts or hardware.
- Use the parts and hardware lists below to identify and separate each of the pieces included.
- The illustrations provided allow for easier assembly when used in conjunction with the assembly instructions.
- The use of power tools to aid in assembly is not recommended. Power tools can damage hardware and split wood.

Parts Included:

- (A) Headboard/Footboard - 2pcs
- (B) Side rail - 2pcs
- (C) Slat roll - 1set
- (D) Bun foot - 4pcs



Hardware Included:

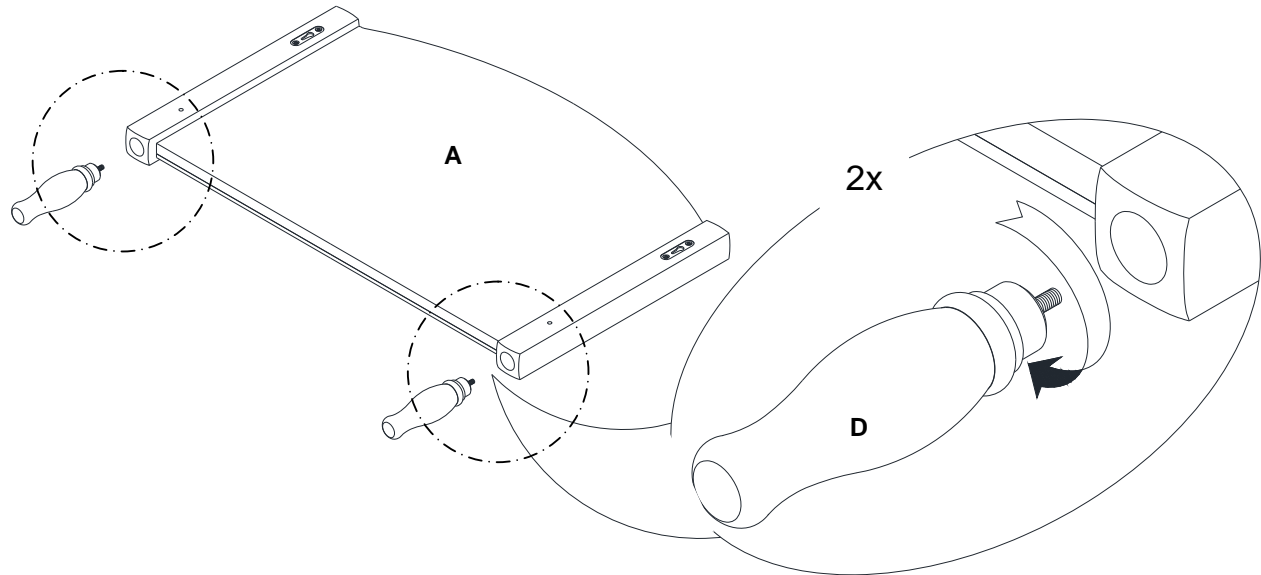
(E) Bolt M6x50mm – 4x 			
(F) Lock washer – 4x 	(G) Half moon washer – 4x 	(H) Allen key 4mm – 1x 	(I) RH Screw 8x25mm – 22x 

Tools Required (not included):

Philips Head Screwdriver 

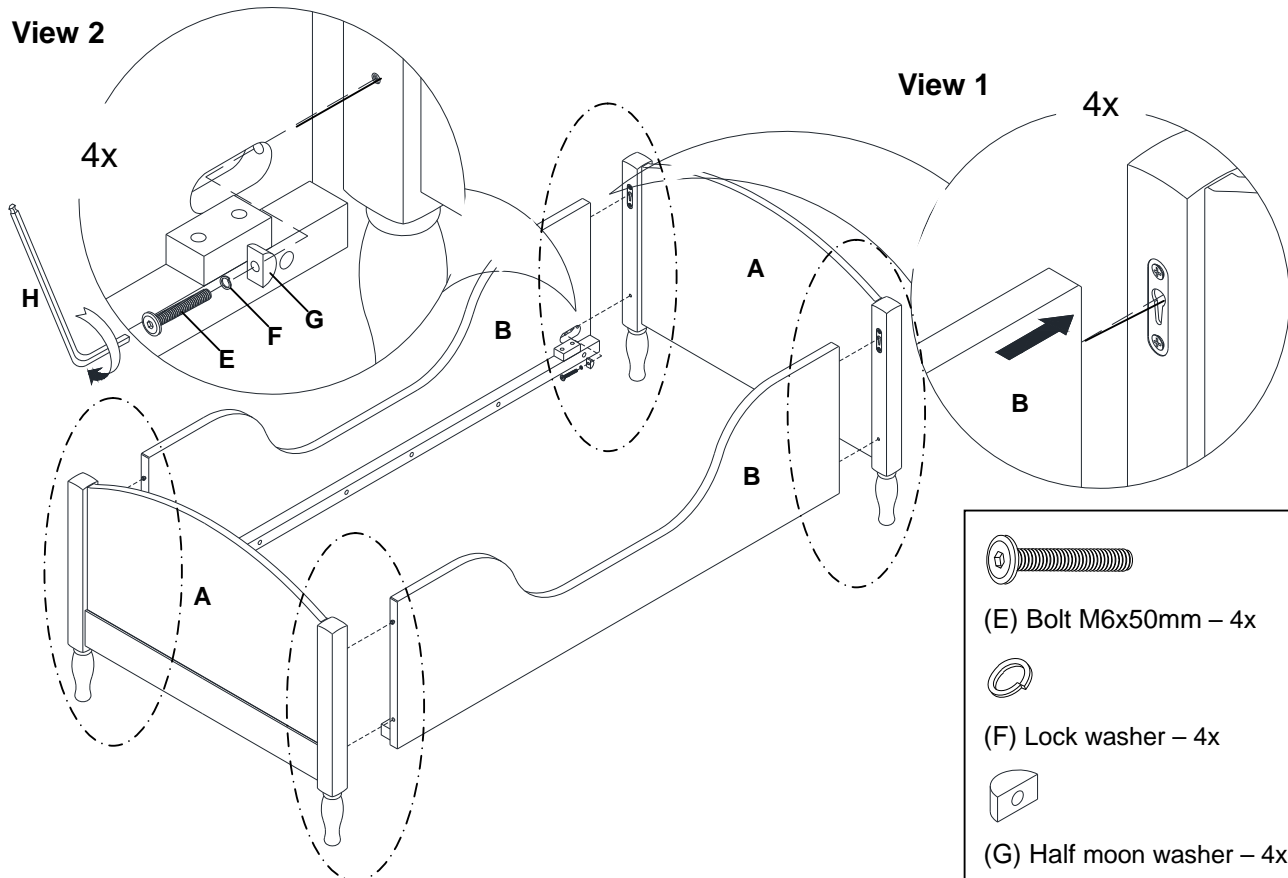
Assembly Instruction Steps:

1. Attach the Bun foot (D) on bottom of each post of the headboard/footboard (A).



2. Assemble side rails (B) to Headboard/Footboard (A). Insert the pre-installed metal pin on the Side rails (B) into metal plate of Headboard/Footboard (A). **See View 1 below.**
3. Insert (4x) Bolt (E), through a lock washer (F), half moon washer (G) and holes at the side of side rail into metal insert in Headboard/Footboard (A). Tighten all bolts with Allen key (H). **See View 2 below.**

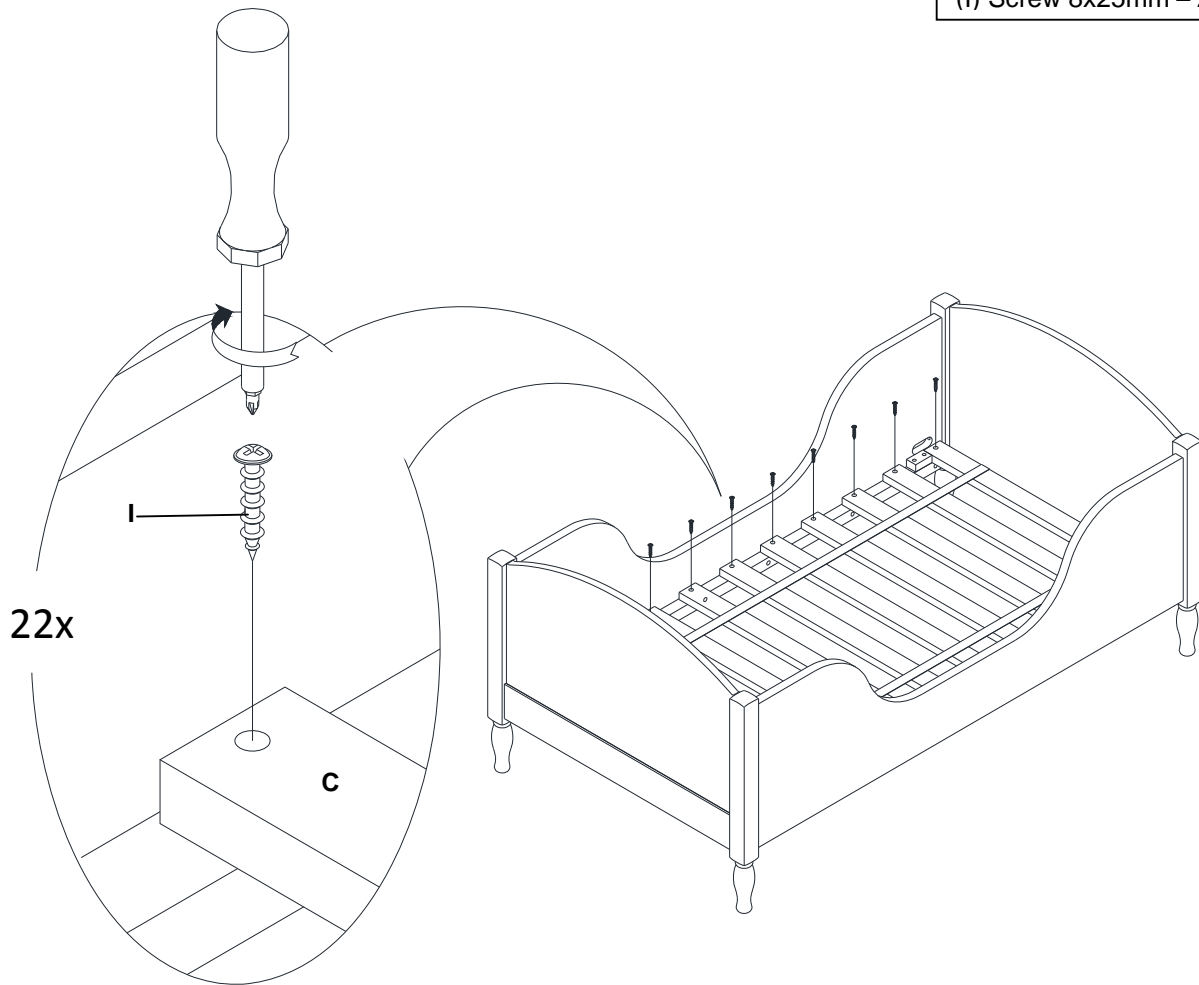
View 2



4. Assemble Slat roll (C) to the bed frame using (I) as shown below. Use Phillips head screwdriver for tighten screws (not included).



(I) Screw 8x25mm – 22x



Care Instructions:

- Dust often using a clean, soft, dry and lint-free cloth.
- Blot spills immediately and wipe with a clean, damp, cloth.
- We do not recommend the use of chemical cleansers, abrasives or furniture polish on our lacquered finish.
- Hardware may loosen over time. Periodically check to make sure all connections are tight. Re-tighten if necessary.

Thank you for your purchase
Stores | catalog | www.potterybarnkids.com
USA 1.800.290.8181

Date: 2014–Oct-28
Rev:

Page 5 of 5