

# pottery barn kids

## THOMAS TALL BOOKCASE

### PRE-ASSEMBLY:

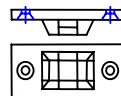
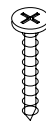
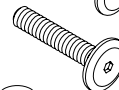
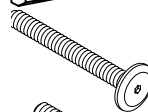
- Please read all instruction before beginning assembly. The illustrations provided allow for easier assembly when used in conjunction with the assembly instructions.
- Remove all parts and hardware from box and lay out on a carpeted or scratch-free work surface, as this will avoid damaging any parts during assembly. The shipping box provides an ideal work surface. Do not dispose of any contents until assembly is completed to avoid accidentally discarding small parts or hardware.
- For your safety and ease, adult assembly by two people is recommended.
- Save all packing materials until assembly is complete to avoid accidentally discarding smaller parts or hardware.
- Use the parts and hardware lists to identify and separate each of the pieces included prior to starting assembly.
- Note: DO not fully tighten all bolts until all parts are in place. Failure to follow these instructions may cause the bolts to misalign during assembly.
- If using power tools to aid in assembly please use caution. Power tools can damage hardware or split wood.

### PARTS INCLUDED:

- (A) Top panel – 1pc
- (B) Bottom panel – 1pc
- (C) Right side panel – 1pc
- (D) Left side panel – 1pc
- (E) Shelf – 3pcs
- (F) Back panel – 1pc

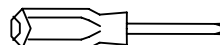
### HARDWARE:

- (G) Allen Key – 1pc
- (H) Long bolt 1/4"x50x15mm – 4pcs
- (I) Short bolt 1/4"x32x15mm – 4pcs
- (J) Long Phillips head screws 8x32mm – 12pcs
- (K) Short Phillips head screws 8x19mm – 4pcs
- (L) Bracket 48x21x10mm – 2pcs
- (M) Long screw 6x32mm – 2pcs
- (N) Short screw 6x19mm – 2pcs
- (O) Nylon strap 300x12x8mm – 1pc



### TOOLS REQUIRED:

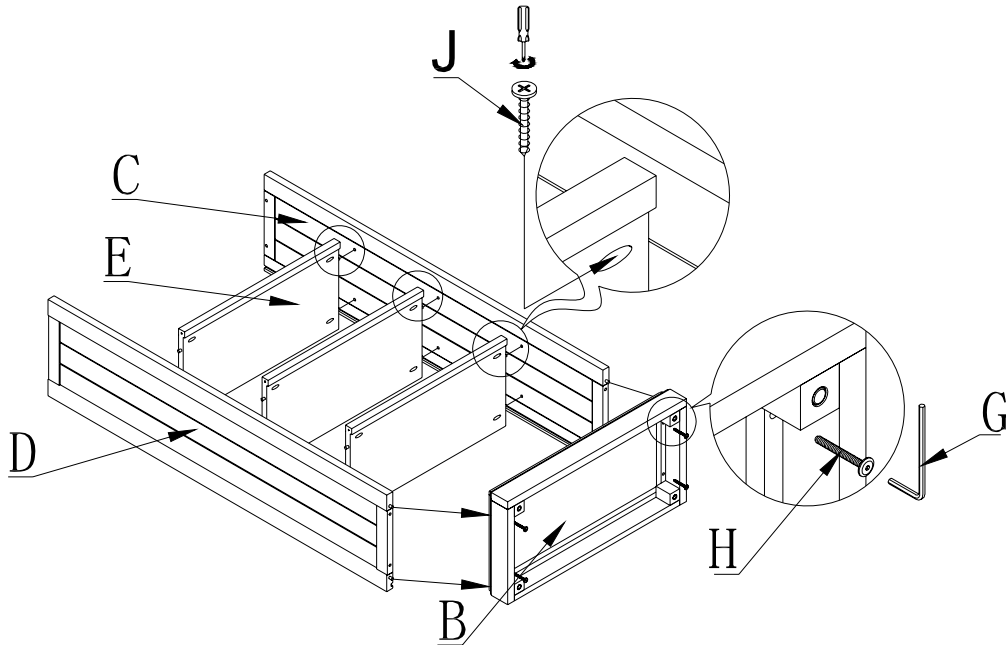
Phillips head screwdriver (not included)



**ASSEMBLY INSTRUCTIONS:**

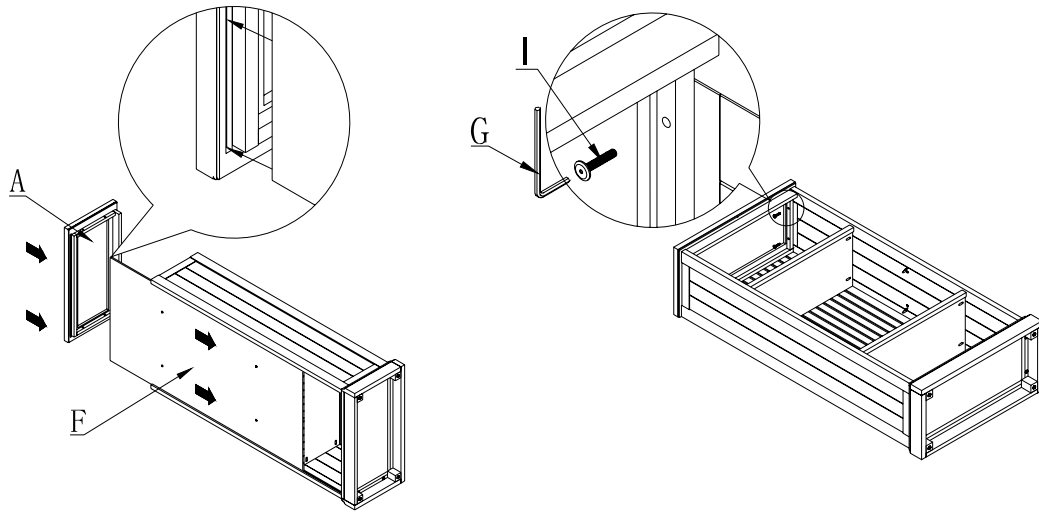
1. Lay the Bottom Panel (B) down, as shown in the illustration below. (Figure 1).

**Figure 1**

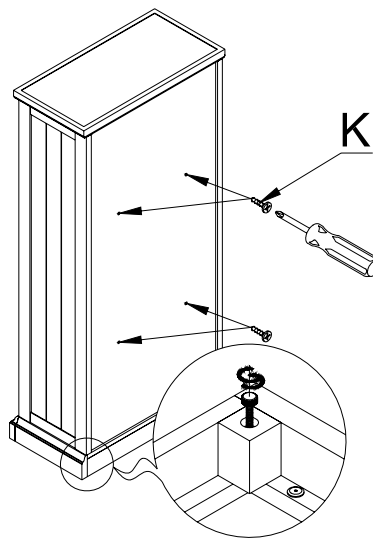


2. Attach the Right Side panel (C) and Left Side Panel (D) to the Bottom Panel (B) using the Long Bolts (H) and Allen Key (G). Fully tighten one side, while keeping the other loosely tightened. This will allow for the Shelves (E) to be inserted. (Figure 1).
3. Fix the 3pcs Shelf (E) to the Right Side Panel (C) and the Left Side Panel (D) by inserting the pre-attached wooden dowels of the Shelves (E) into the pre-drilled holes of the Right Side Panel (C) and the Left Side Panel (D). Then, secure using Long Phillips Head Screws 8x32mm (J). (Figure 1)

4. Slide the Back Panel (F) down into the grooves of the Right and Left Side Panels (C & D) and place the Top Panel (A) on top of both Side Panels (C & D). Fasten the Top Panel to the Right and Left Side Panels (C & D) by inserting the Short Bolts 1/4"x32x15mm (I) through the pre-drilled holes of the Top Panel (A) and into the pre-drilled holes of the Right and Left Side Panels (C & D).



5. Turn the Bookcase upright. Insert and fasten 4pcs Short Phillips Head Screws 8x19mm (K) through the pre-drilled holes of the Back Panel (F). Tighten using a Phillips Head Screwdriver.



**CARE INSTRUCTIONS:**

- Dust often using a clean, soft, dry lint-free cloth.
- Blot spills immediately, and wipe with a clean, damp, cloth.
- We do not recommend the use of chemical cleansers, abrasives, or furniture polish on our lacquered finish.

Thank you for your purchase  
stores | catalog | [www.potterybarnkids.com](http://www.potterybarnkids.com)  
USA 1.800.290.8181

## FURNITURE TIPPING RESTRAINT

Young children may be injured by tipping furniture. The use of a tipping restraint is highly recommended.

When properly installed, this restraint could provide protection against the unexpected tipping of furniture due to small tremors, bumping or climbing. We recommend mounting this restraint to a wall stud.

**WARNING:** This product is only a deterrent. It is not a substitute for proper adult supervision.

### Hardware Included (also described on page one):

- (L) Brackets – 2pcs
- (M) Long screws – 2pcs
- (N) Short screws – 2pcs
- (O) Nylon strap – 1pc

### INSTALLATION INSTRUCTIONS:

1. Determine the final resting position of the furniture piece. Locate a stud in the wall behind that furniture piece. Mark the location on the wall approximately 1" below the top of the furniture piece. Mark and drill pilot hole into the center of the stud with a 3/32" drill bit. Attach a bracket to the stud with the long screws provided.
2. On the back of the furniture, a bracket will need to be attached to the furniture frame at the top. To do this, temporarily move the furniture into its final position and mark the location of the wall bracket on the furniture frame.
3. Move the furniture away from the wall and place a bracket on the mark. Mark and drill holes for screws with a 3/32" drill bit. Attach the bracket to the furniture with the short screws provided.
4. Check to be sure the wall bracket is firmly screwed into wall and the furniture bracket is firmly attached to the frame.
5. Move the piece of furniture into its final position so that the wall bracket and furniture bracket are in alignment.
6. Thread the strap through brackets and tighten until snug. Do not over-tighten.
7. Check to make sure the brackets are firmly installed and the strap is secure.

