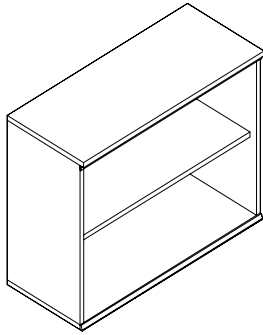


pottery barn kids

CAMERON CUBBY OPEN FRAME

PRE-ASSEMBLY:

- For your safety and ease, assembly by two adults is recommended.
- Please read all instructions before beginning assembly. The illustrations provided allow for easier assembly when used in conjunction with the assembly instructions.
- Remove all parts and hardware from box and lay out on a carpeted or scratch-free work surface. The shipping box provides an ideal work surface. Do not dispose of any contents until assembly is completed to avoid accidentally discarding small parts or hardware.
- Use the parts and hardware lists to identify and separate each of the pieces included prior to starting assembly.
- Note: DO not fully tighten the bolts until all parts are in place. Failure to follow these instructions may cause the bolts to misalign during assembly.
- The use of power tools for assembly is not recommended. Power tools can damage hardware or split wood.

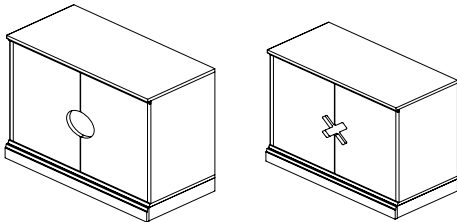


PARTS INCLUDED:

- (A) Left Side Panel – 1pc
- (B) Right Side Panel – 1pc
- (C) Back Panel – 1pc
- (D) Bottom Panel – 1pc
- (E) Top Panel – 1pc
- (F) Shelf – 1pc

TOOLS REQUIRED:

Philips Screwdriver (Not included)


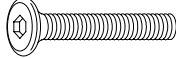




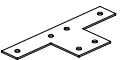




OPTIONAL PARTS (SOLD SEPARATELY):

- (T) Left Door – 1pc
- (U) Right Door – 1pc

Note: Pictures are for reference only. Doors are sold separately. This package contains only the Cubby Open Frame.

HARDWARE INCLUDED:

 (G) Allen Key – 1pc	 (H) Allen Bolt 1/4" x 28mm – 8pcs	 (I) Spring Washer – 8pcs
 (J) Flat Washer – 8pcs	 (K) Long Wood Screw 4 x 25 mm – 2pcs	 (L) Plastic Cap – 2pcs
 (M) T-Shape Bracket – 2pcs	 (N) Square Bracket – 1pc	 (O) Short Wood Screw 3 x 12mm – 16pcs

ASSEMBLY INSTRUCTIONS:

1. Align and connect the wooden dowels on each end of the Shelf (F) to the pre-drilled holes on Left/Right Panels (A&B) (Figure 1).

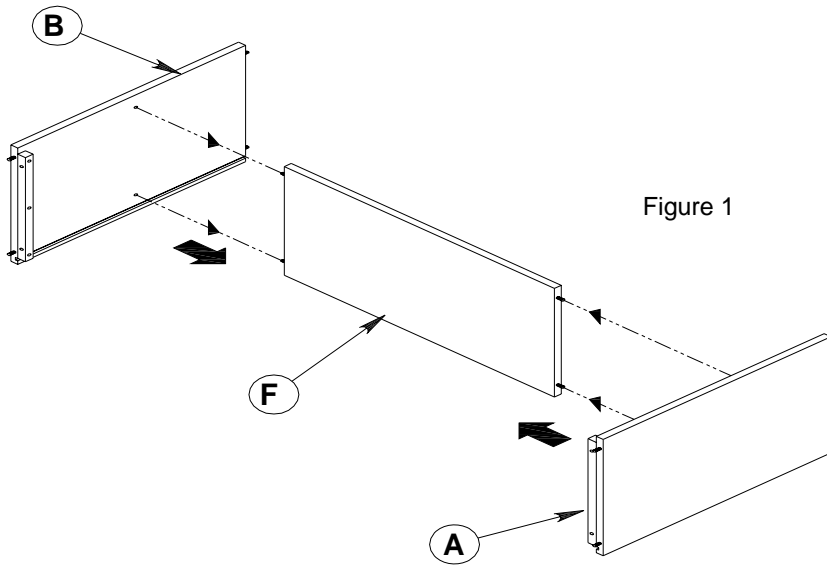


Figure 1

2. Align and connect the pre-drilled holes on Bottom Panel (D) to the wooden dowels on the Left/Right Side Panels. Slide a Spring Washer (I), a Flat Washer (J) into an Allen Bolt (H) and insert the Allen Bolt from bottom of the Bottom Panel (D) into the Left/Right Side Panels using an Allen Key (G).

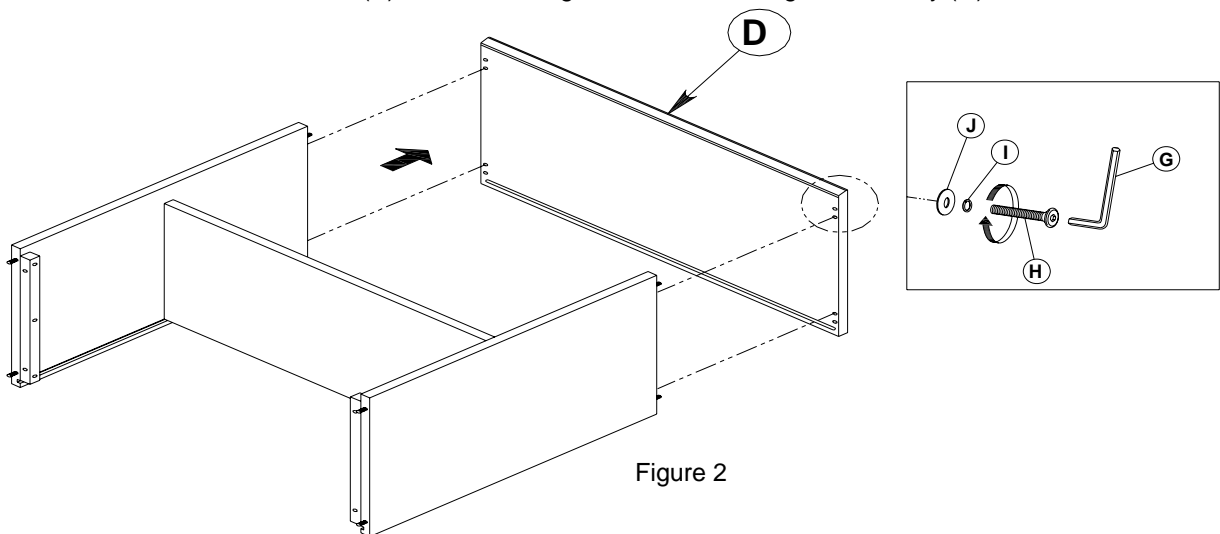


Figure 2

3. Position the assembled piece upright. Slide the Back Panel (C) into slots on the Left/Right Side Panels.

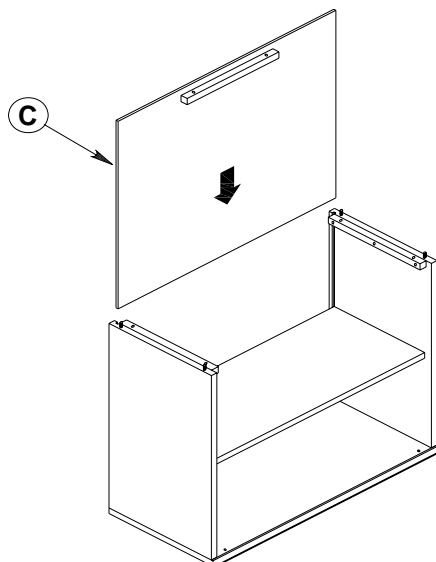


Figure 3

4. Insert (4) Plastic Cap (L) into the pre-drilled holes on the Bottom Panel (D) and Top Panel (E). Place the Top Panel (E) on the assembled piece. Lift the Top Panel slightly to allow the Left/Right X/O Doors (T&U, sold separately) to fit into the Plastic Caps (L) on Bottom Panel and Top Panel. Check alignment and secure the Top Panel with the remaining (4) Allen Bolt (H), Spring Washer (I) & Flat Washer (J).
5. Then, Secure the Back Panel (C) to the Top Panel (E) from inside the cubby using (2) Long Wood Screw (K). (Fig. 4)

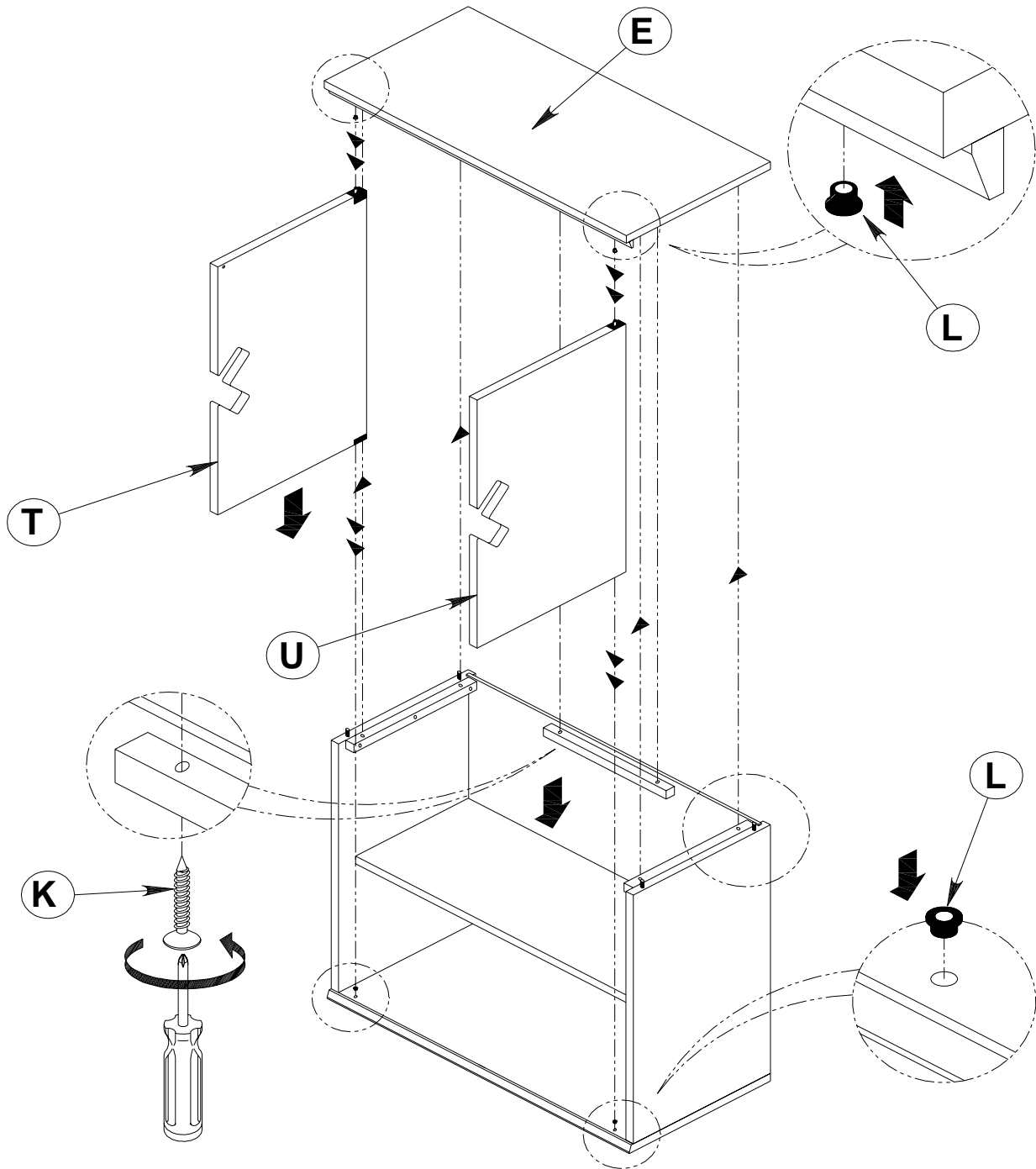
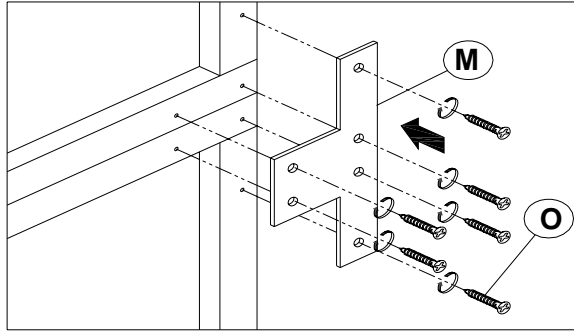


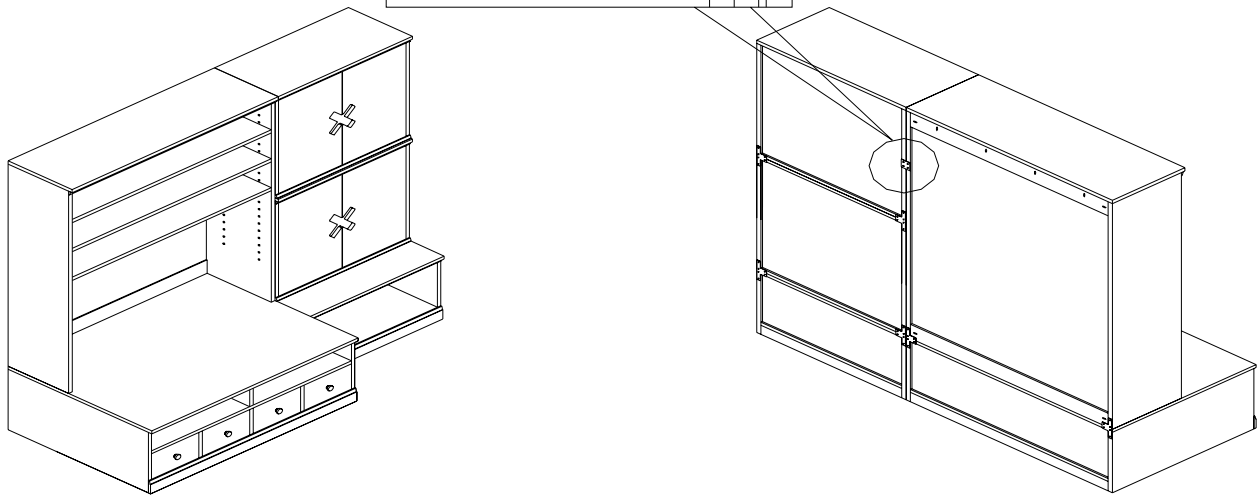
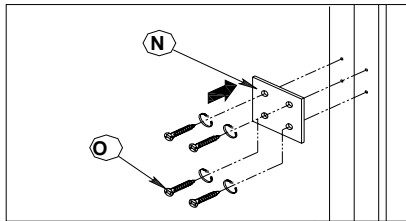
Figure 4

MENDING PLATE CONNECTIONS:

- If connecting Cubby piece to Base piece, use (2) T-Shape Bracket and (12) Short Wood Screw.



- If connecting to Cubby piece to Cubby piece, use (1) Square Bracket and (4) Short Wood Screw.



CARE INSTRUCTIONS:

- Dust often using a clean, soft, dry lint-free cloth.
- Blot spills immediately, and wipe with a clean, damp, cloth.
- We do not recommend the use of chemical cleansers, abrasives, or furniture polish on our lacquered finish.

Thank you for your purchase.
stores | catalog | www.potterybarnkids.com
USA 1.800.290.8181