

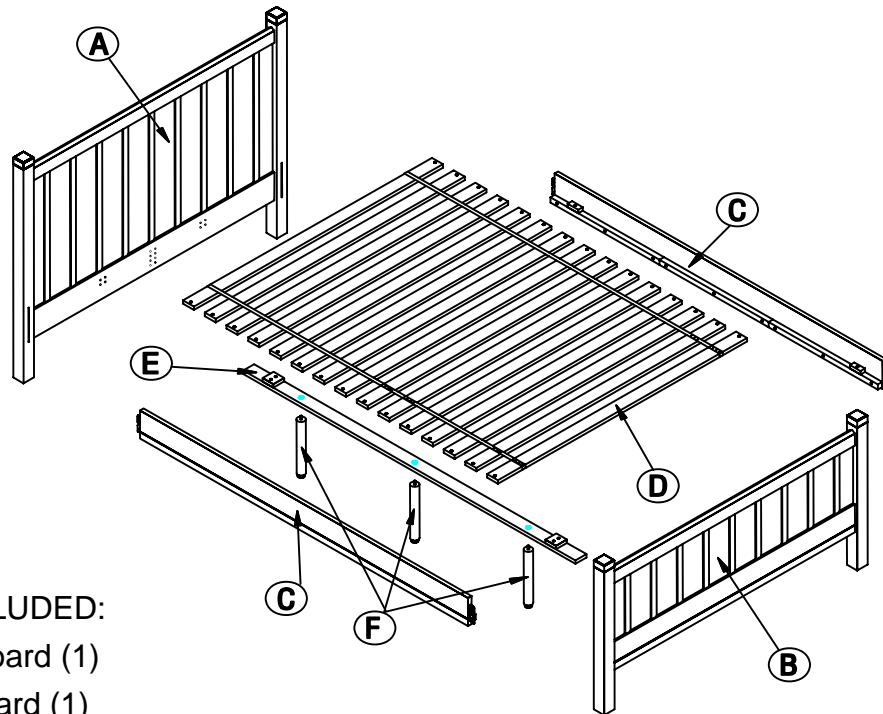
pottery barn kids

CAMP QUEEN BED

CAUTION: Assembly required. Please read all instructions before beginning assembly. Two people are recommended to ease assembly.

These items contain small parts that have sharp points and edges in the unassembled state. Care should be taken when unpacking and assembling this item.

Save all packing material until assembly is complete to avoid accidentally discarding smaller parts or hardware.

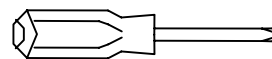


PARTS INCLUDED:

- A - Headboard (1)
- B - Footboard (1)
- C - Side rail (2)
- D - Slat Roll (1)
- E - Slat Support (1)
- F - Support Leg (3)

TOOLS INCLUDED:

Phillips Head Screw driver (not included)



HARDWARE INCLUDED:

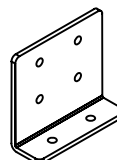
G - Small Phillips Head Screws (x12)



H - Large Phillips Head Screws (x28)



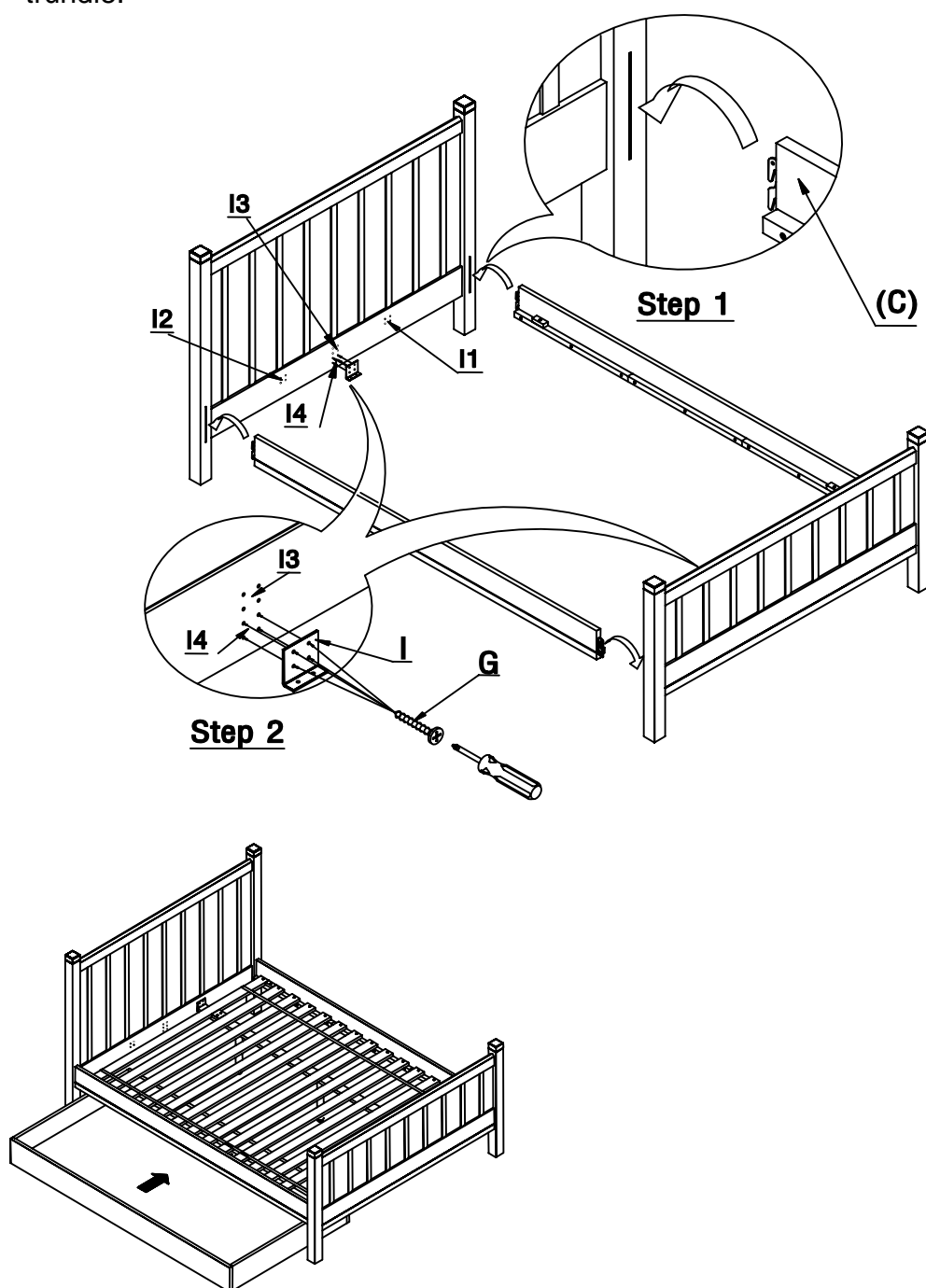
I - "L" Shape Slate Bracket (x2)



ASSEMBLY:

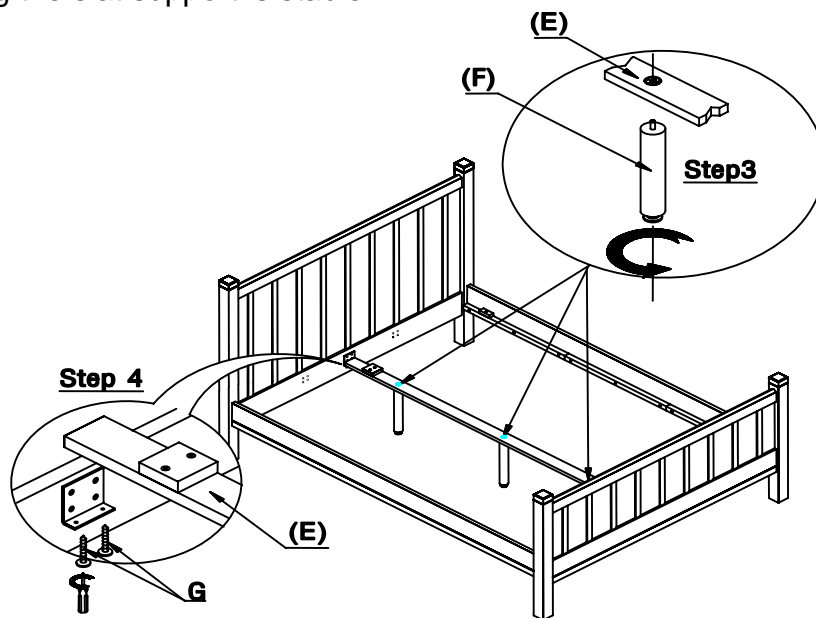
Step 1 through 2:

1. Hold side rail (C) up to slots on the legs of the headboard (A) and insert the hooks of each side rail into the slots. Push down firmly on the top of side rails until they slot themselves over the pins inside the leg as shown. If you will use trundle please use the highest setting.
2. Repeat the same procedure with the footboard (B).
3. Install the (I) "L" Shape Slat Bracket into the headboard and footboard by inserting the (G) small Phillips head screw as shown.
4. Queen bed has two bed rail heights for use with or without trundle. (I) Bed slat support is adjustable to 4 locations, location 11 & 12 is for trundle (depending on which side you will use the trundle on) and location 13 & 14 is for use without trundle.



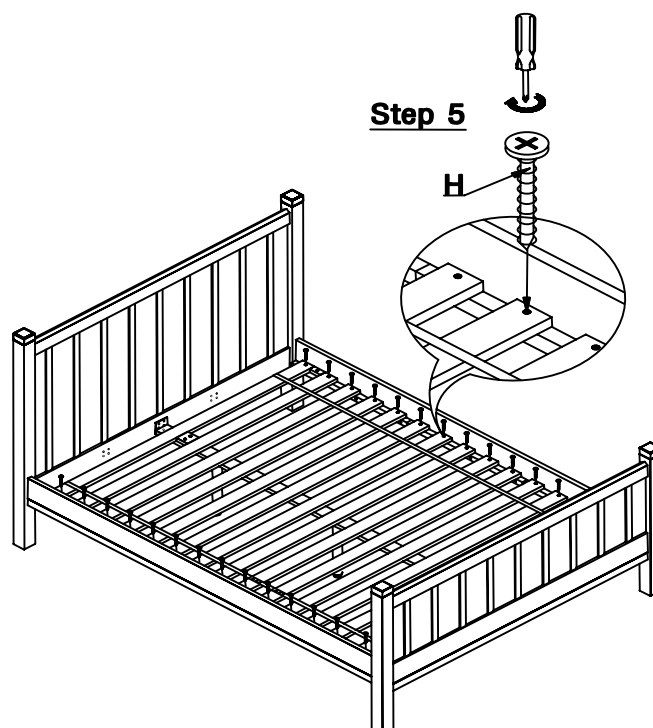
Step 3 through 4:

5. Screw (F) Support Legs into the (E) Slat support and sure all are tight.
6. Align (E) Slat support on (I) "L" Shape Slat bracket using the (G) Small Phillips head screw. Place slat support onto the slat bracket away from side trundle will roll out of making the slat support is stable.



Step 5:

7. Lay the (D) slat roll in between the (C) side rails and use (H) Large Phillips head screws to fasten slats to the side rails with the Phillips head screwdriver.
8. Retighten all bolts and screws to make sure all are tight and bed structure is rigid. It is recommended all bolts and screws be checked from time to time for safety.



Thank you for your purchase

stores | catalog | www.potterybarnkids.com

USA 1.800.290.8181

