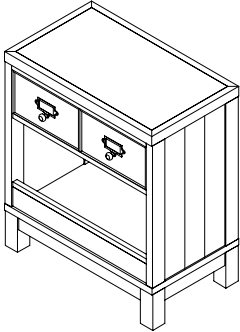


pottery barn kids

SCHOOLHOUSE STORAGE CONSOLE

IMPORTANT SAFETY INSTRUCTIONS:







Please read all instructions carefully before assembling.
For your safety, assembly by two people is recommended.



PART LIST

- (A) Left Side Panel – 1pc
- (B) Right Side Panel – 1pc
- (C) Stretcher – 1pc
- (D) Shelf Panel – 1pc
- (E) Bottom Panel – 1pc
- (F) Back Panel – 1pc
- (G) Top Panel – 1pc
- (H) Drawer – 2pc

HARDWARE LIST

- (I) Allen Key  – 1pc
- (J) Long Bolt 1/4" x 50mm  – 4pcs
- (K) Short Bolt 1/4" x 30mm  – 4pcs
- (L) Spring Washer 1/4"  – 8pcs
- (M) Flat Washer 1/4"  – 8pcs
- (N) Wood Screw 20mm  – 2pcs

TOOLS REQUIRED:

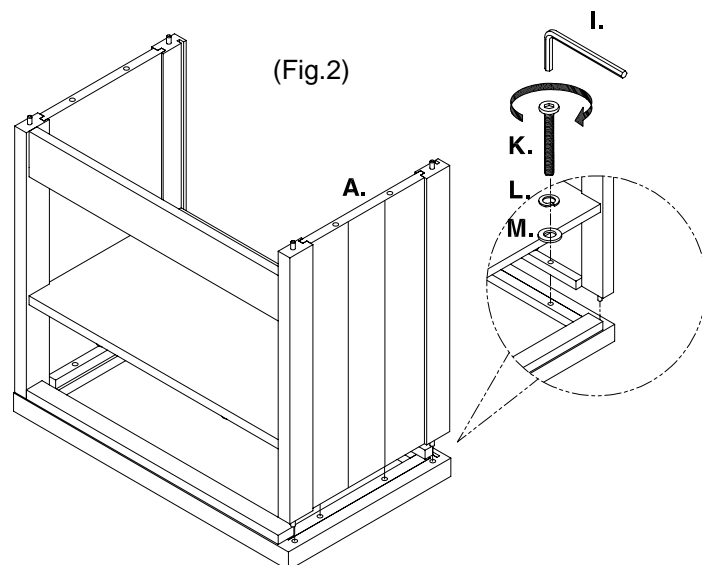
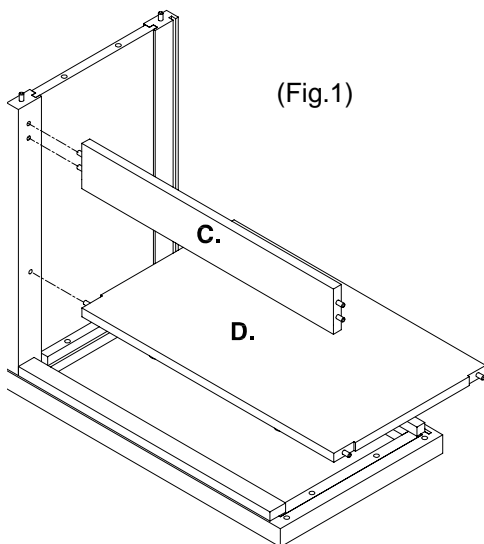
Philips Head Screwdriver (not included)

PRE-ASSEMBLY:

- Remove all parts and hardware from the box and lay out on a clean, carpeted, or scratch-free work surface, as this will avoid damaging any parts during assembly. The shipping box provides an ideal work surface. Do not dispose of any contents until assembly is completed to avoid accidentally discarding small parts or hardware.
- Use the parts and hardware lists above to identify and separate each of the pieces included.
- The illustrations provided allow for easier assembly when used in conjunction with the assembly instructions.
- Note: Do not fully tighten all bolts until all parts are in place. Failure to follow these instructions may cause the bolts to misalign during assembly.
- If using power tools to aid in assembly please use caution. Power tools can damage hardware or split wood.

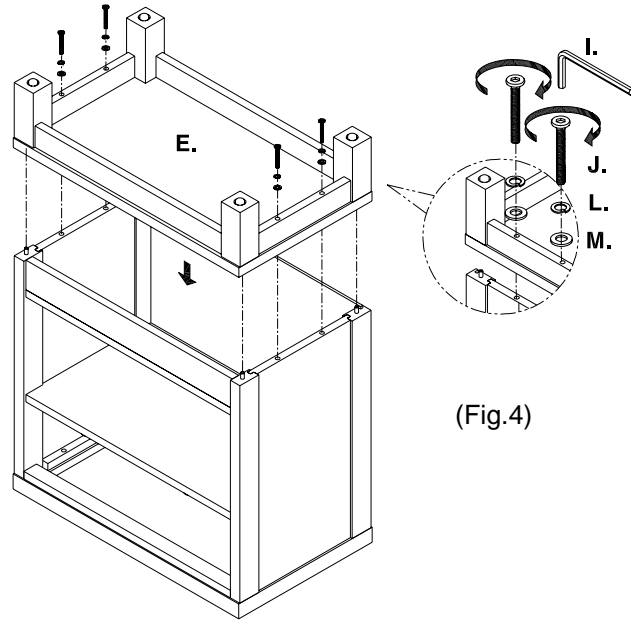
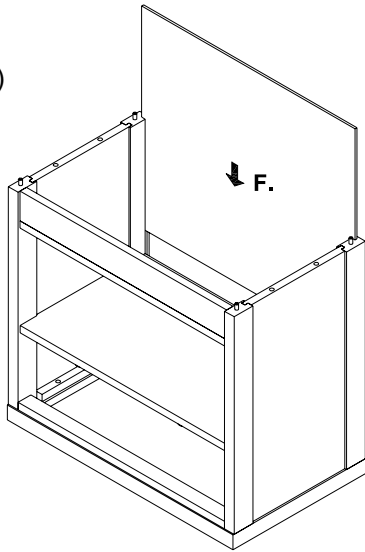
ASSEMBLY INSTRUCTIONS:

1. Carefully place the Top Panel (G) face down on your work surface. Align the Right Side Panel (B) to the Top Panel (G) and connect the Shelf Panel (D) and the Stretcher (C) to the Right Side panel. Connect the Left Side Panel (A) to the Stretcher (C) and the Shelf Panel (D), then align the Left Side Panel (A) to the Top Panel (G). Secure the Right/Left Side Panels to the Top Panel with (4) Short Bolts (K), (4) Spring Washers (L) and (4) Flat Washers (M) as shown (Fig. 1 & 2)



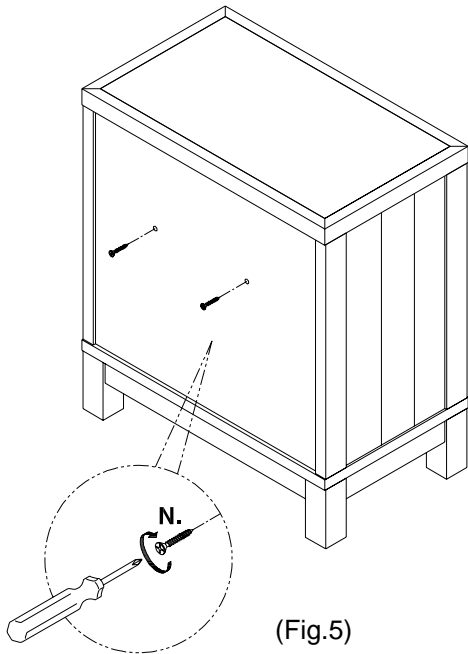
- Slide the Back Panel (F) to the slots located on the sides of the Left and Right Side Panels (A & B). (Fig.3)
- Place the Bottom Panel (E) on the assembled piece, securing it to the Left/Right Side Panels (A & B) with (4) Long Bolts (K), (4) Spring Washers (L) and (4) Flat Washers (M) as shown. (Fig.4)

(Fig.3)

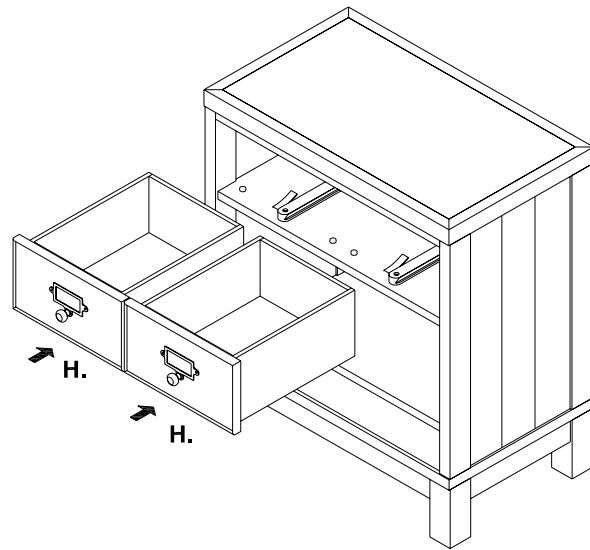


(Fig.4)

- Carefully upright the assembled piece. Fasten the Back Panel (F) to the Shelf Panel (D) by using (2) Wood Screws (N). (Fig.5)
- Carefully slide (2) Drawers (H) into the assembled piece. (Fig.6)



(Fig.5)



(Fig.6)

CARE INSTRUCTIONS:

- Dust often using a clean, soft, dry lint-free cloth.
- Blot spills immediately, and wipe with a clean, damp, cloth.
- We do not recommend the use of chemical cleansers, abrasives, or furniture polish on our lacquered finish.
- Do not stand on the top of the unit.

Thank you for your purchase.