

pottery barn kids

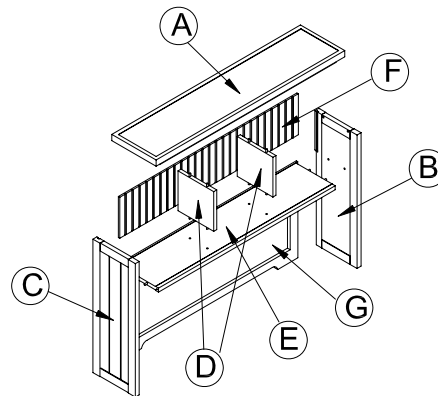
THOMAS STORAGE DESK HUTCH

PRE-ASSEMBLY:

- Please read all instruction before beginning assembly. The illustrations provided allow for easier assembly when used in conjunction with the assembly instructions.
- Remove all parts and hardware from box and lay out on a carpeted or scratch-free work surface, as this will avoid damaging any parts during assembly. The shipping box provides and ideal work surface. Do not dispose of any contents until assembly is completed to avoid accidentally discarding small parts or hardware.
- For your safety and ease, two adult assembly is recommended.
- Save all packing materials until assembly is complete to avoid accidentally discarding smaller parts or hardware.
- Use the parts and hardware lists to identify and separate each of the pieces included prior to starting assembly.
- Note: DO not fully tighten all bolts until all parts are in place. Failure to follow these instructions may cause the bolts to misalign during assembly.
- If using power tools to aid in assembly please use caution. Power tools can damage hardware of split wood.

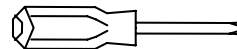
PARTS INCLUDED:

- (A) Top panel – 1pc
- (B) Right Side panel – 1pc
- (C) Left Side panel – 1pc
- (D) Divider – 2pcs
- (E) Shelf – 1pc
- (F) Back upper panel – 1pc
- (G) Back lower panel – 1pc



TOOLS REQUIRED:

Phillips Head Screwdriver (not included)

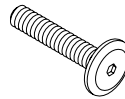


HARDWARE ENCLOSED:

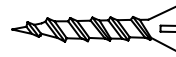
- (H) Allen Key – 1pc



(I) Short bolt 1/4"x32x15mm – 6pcs



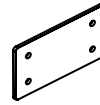
(J) Phillips head screws 8x32mm – 2pcs



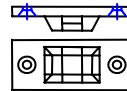
(K) Phillips head screws 7x20mm – 20pcs



(L) Metal plate 70x40mm – 2pcs



(M) Bracket 48x21x10mm – 2pcs



(N) Long screw 6x32mm – 2pcs



(O) Short screw 6x19mm – 2pcs

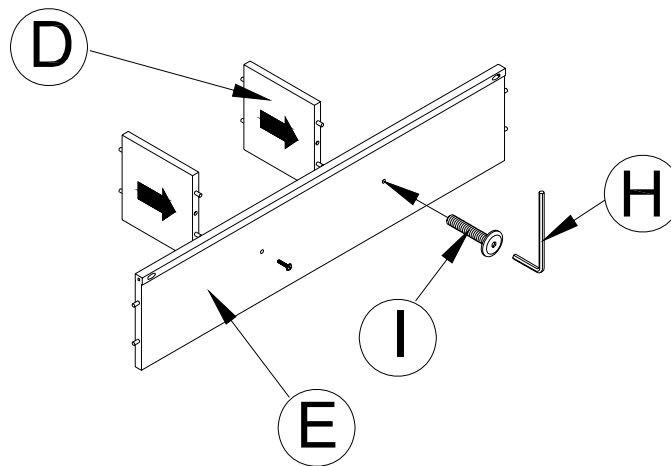


(P) Nylon strap 300x12x8mm – 1pc



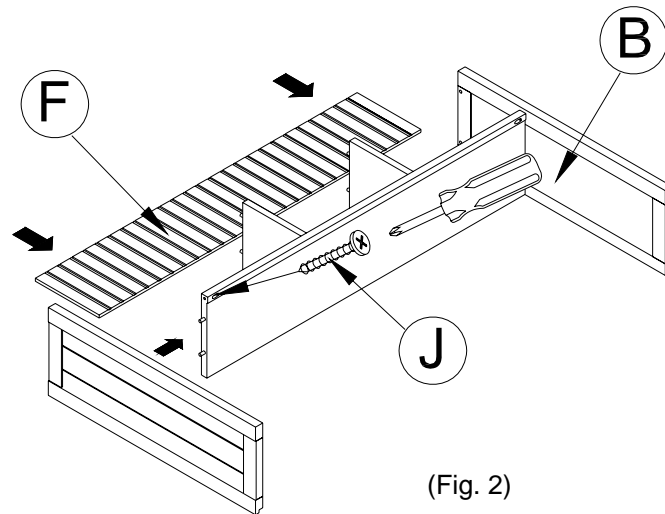
ASSEMBLY INSTRUCTIONS:

1. Attach the Dividers (D) to the Shelf (E) by inserting the pre-attached wooden dowels on the Dividers (D) into the pre-drilled holes on the Shelf (E). Attach using Short Bolts 1/4"x32x15mm (I) and Allen Key (H), as shown. (Fig. 1)



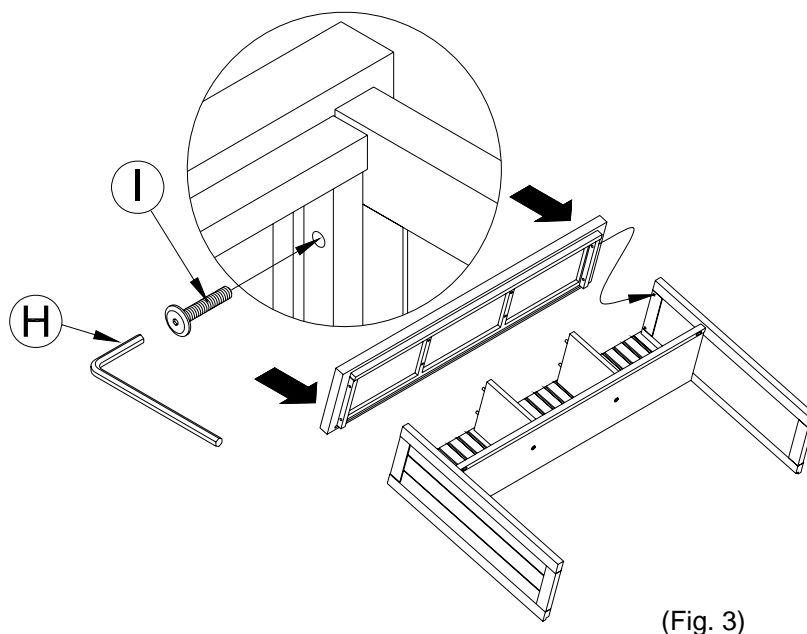
(Fig. 1)

2. Attach the Shelf (E) with the Dividers (D) to the Right Side panel (B) and Left Side Panel (C) by inserting the pre-attached wooden dowels of the Shelf (E) into the pre-drilled holes on the Right and Left Side Panels (B & C). At same time, attach the Back Upper Panel (F) by sliding into the grooves of the Right and Left Side Panels (B & C). Attach using the Phillips Head Screws 8x32mm (J) from the underside of the Shelf (E), as shown below. (Fig. 2).



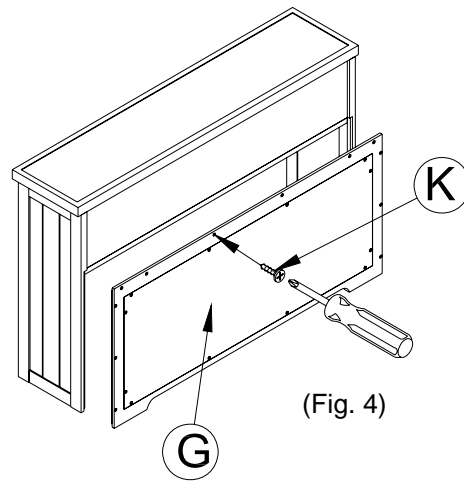
(Fig. 2)

3. Place the Top Panel (A) on a soft, scratch-free surface, as below figure shown. Insert previously assembled piece into the Top Panel (A) and attach to the Right Side Panel (B) and Left Side Panel (C) by inserting the Short Bolts $\frac{1}{4}$ "x32x15mm (I) through the pre-drilled holes on the underside of the Top Panel (A) and into the pre-drilled holes of the Right and Left Side Panels (B & C), as shown. Tighten using the Allen Key (H), as shown. (Fig. 3).

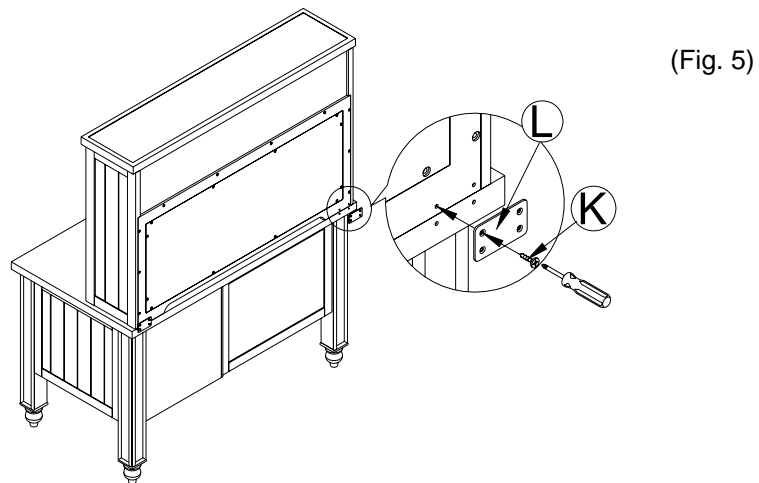


(Fig. 3)

4. Holding the Back Upper Panel (F) in place, turn the assembly upright. Place the Back Lower Panel (G) over the pre-drilled holes of the assembled piece, as shown below. The Back Lower Panel (G) will cover the lower edge of the Back Upper Panel (F). Attach the Back Lower Panel (G), using the Phillips Head Screws 7x20mm (K). (Fig. 4)



5. Carefully place the desk hutch on the desk in upright position on the desk. Attach the two by placing the Metal Plates (L) over the pilot holes on the back edge of the desk and hutch. Fasten with the small Phillips Head Screws 7x20mm (K) and tighten with a Philips head screwdriver (not included). (Fig. 5)



CARE INSTRUCTIONS:

- Dust often using a clean, soft, dry lint-free cloth.
- Blot spills immediately, and wipe with a clean, damp, cloth.
- We do not recommend the use of chemical cleansers, abrasives, or furniture polish on our lacquered finish.

Thank you for your purchase

stores | catalog | www.potterybarnkids.com

USA 1.800.290.8181

FURNITURE TIPPING RESTRAINT

Young children may be injured by tipping furniture. The use of a tipping restraint is highly recommended. When properly installed, this restraint could provide protection against the unexpected tipping of furniture due to small tremors, bumping or climbing. We recommend mounting this restraint to a wall stud.

WARNING: This product is only a deterrent. It is not a substitute for proper adult supervision.

Hardware Included (also described on page two):

- L - Brackets (x 2)
- M - Long screws (x 2)
- N - Short screws (x 2)
- O - Nylon strap (x 1)

INSTALLATION INSTRUCTIONS:

1. Determine the final resting position of the furniture piece. Locate a stud in the wall behind that furniture piece. Mark the location on the wall approximately 1" below the top of the furniture piece. Mark and drill pilot hole into the center of the stud with a 3/32" drill bit. Attach a bracket to the stud with the long screws provided.
2. On the back of the furniture, a bracket will need to be attached to the furniture frame at the top. To do this, temporarily move the furniture into its final position and mark the location of the wall bracket on the furniture frame.
3. Move the furniture away from the wall and place a bracket on the mark. Mark and drill holes for screws with a 3/32" drill bit. Attach the bracket to the furniture with the short screws provided.
4. Check to be sure the wall bracket is firmly screwed into wall and the furniture bracket is firmly attached to the frame.
5. Move the piece of furniture into its final position so that the wall bracket and furniture bracket are in alignment.
6. Thread the strap through brackets and tighten until snug. Do not over-tighten.
7. Check to make sure the brackets are firmly installed and the strap is secure.

