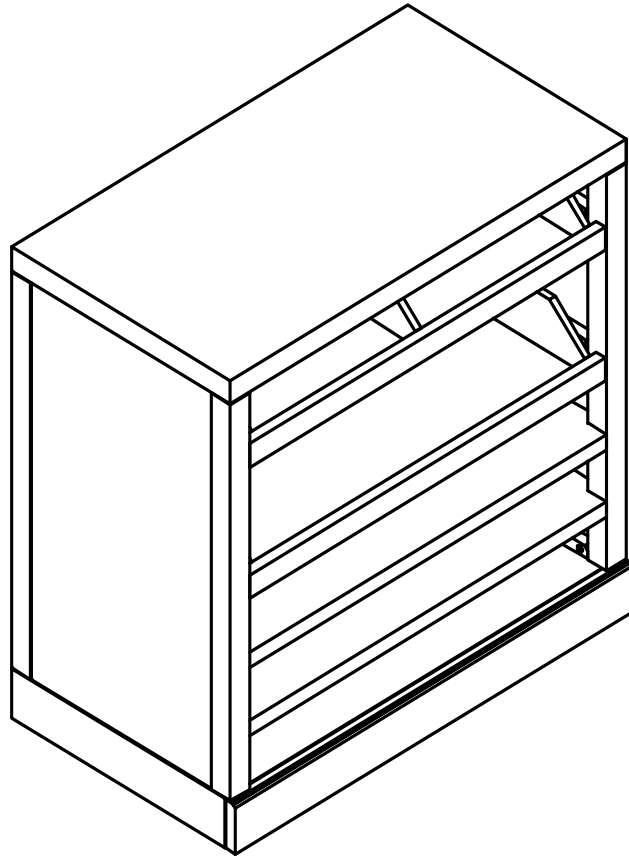


pottery barn kids



**PRESTON ART CONSOLE**

[www.potterybarnkids.com](http://www.potterybarnkids.com)



**Important Safety Instructions:**

- Please read all instructions carefully before assembling.
- For your safety, assembly by two or more adults is strongly recommended.
- Keep instructions for future use.
- Use only vendor supplied hardware to assemble. Using unauthorized hardware could jeopardize the structural integrity of the item.

**Pre-assembly:**

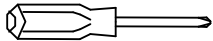
- Remove all parts and hardware from the box and lay out on a clear carpeted or scratch-free work surface, as this will avoid damaging parts during assembly. The shipping box provides an ideal work surface.
- Do not dispose of any packaging or contents of the shipping carton until assembly is completed to avoid accidentally discarding small parts or hardware.
- Use the parts and hardware lists below to identify and separate each of the pieces included.
- The illustrations provided allow for easier assembly when used in conjunction with the assembly instructions.
- The use of power tools to aid in assembly is not recommended. Power tools can damage hardware and split wood.

**Hardware Included:**

 (A) Metal Bracket – 1x	 (B) Short Screw (3x12mm) – 4x
---	--

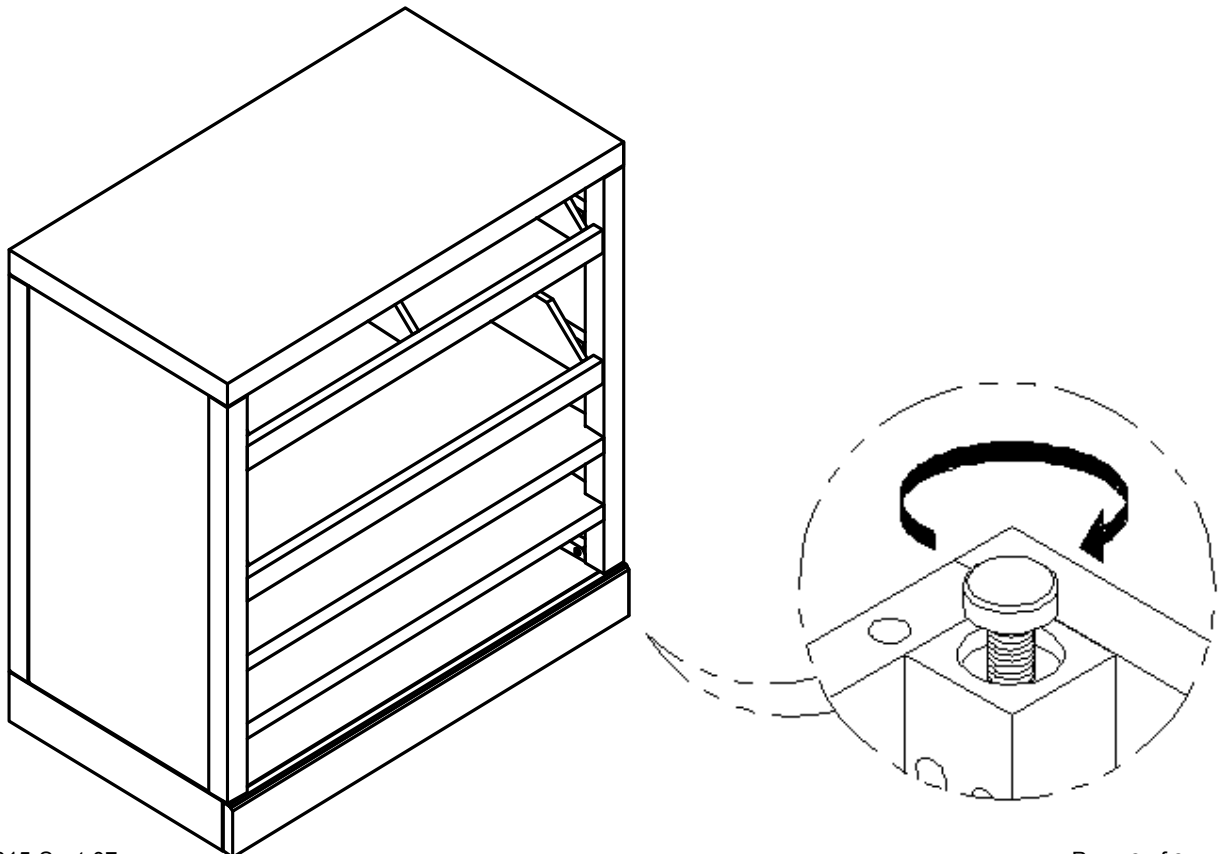
**Tools Required:**

Phillips Head Screwdriver (not included)



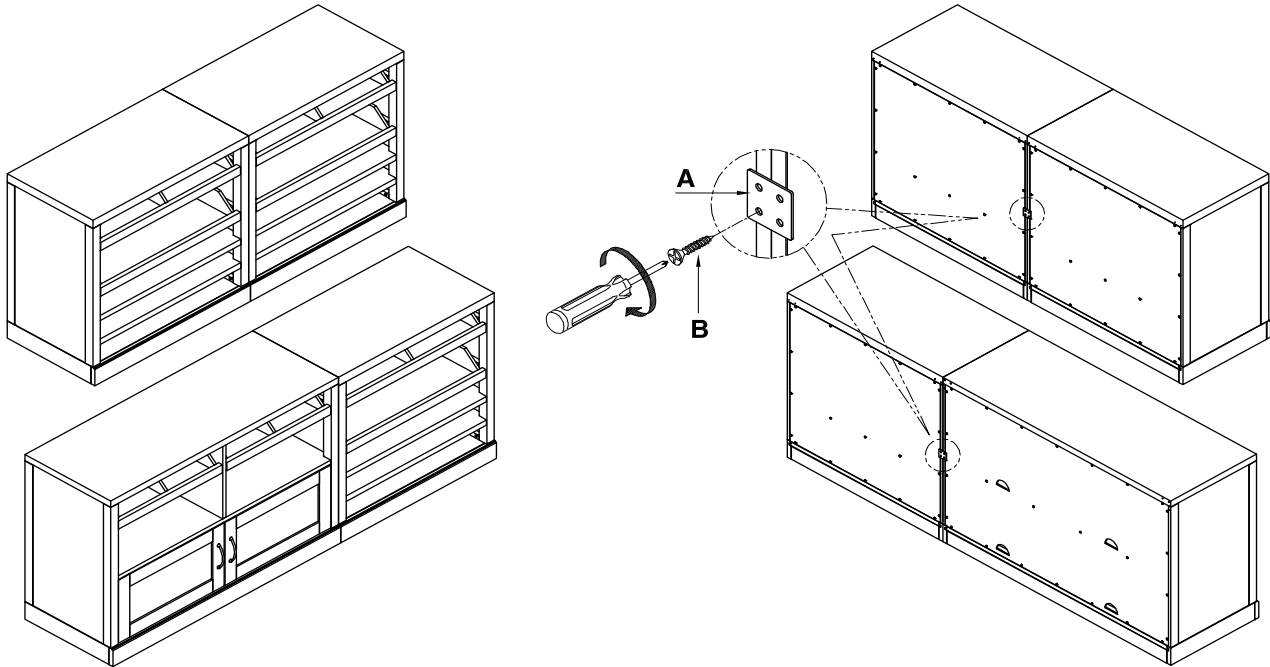
**Assembly Instruction Steps:**

1. If the **Art Consoles** doesn't sit level, adjust the levelers as shown below.



**Multiple Art Consoles can be combined together by following the assembly instructions below:**

2. Place the **Art consoles** in the desired location.
3. Align the **Art consoles** together.
4. Place Metal Bracket (A) over the pre-drilled holes, on the rear side of **Art Console**, as shown below.
5. Secure with 4 Short Screws (B) and tighten with a Phillips Head Screw Driver (not included).



6. **NOTE:** Installation of the Anti Tip Kit is **REQUIRED**. Please follow the separate instructions to secure the **Art consoles** to the wall, by using the tipping-restraint kit included.

**Care Instructions:**

- Dust often using a clean, soft, dry and lint-free cloth.
- Blot spills immediately and wipe with a clean, damp, cloth.
- We do not recommend the use of chemical cleansers, abrasives or furniture polish on our lacquered finish.
- Hardware may loosen over time. Periodically check to make sure all connections are tight.  
Re-tighten if necessary.

Thank you for your purchase  
Stores | catalog | [www.potterybarnkids.com](http://www.potterybarnkids.com)  
USA 1.800.290.8181