

pottery barn kids

SCHOOLHOUSE CORNER DESK

IMPORTANT SAFETY INSTRUCTIONS:

Please read all instructions carefully before assembling.
For your safety, assembly by two people is recommended.

PARTS INCLUDED:

- (1) Center Corner Desk Top (A)
- (2) Side Corner Desk Top (B)
- (1) Leg Support (C)
- (1) Schoolhouse Case (D)

HARDWARE ENCLOSED:

- (1) Allen Key (E)
- (4) ¼" x 25mm Allen Bolts (F)
- (4) ¼" Spring Washer (G)
- (4) ¼" Flat Washer (H)
- (4) Worktop Connector (I)
- (1) Wrench (J)

TOOLS REQUIRED FOR ASSEMBLY:

- (1) Allen Key
- (1) Wrench

PRE-ASSEMBLY:

- Remove all parts and hardware from the box and lay out on a clear carpeted or scratch-free work surface. (The shipping box provides an ideal work surface), this will avoid damaging any parts during assembly. Do not dispose of any contents until assembly is completed to avoid accidentally discarding small parts or hardware.
- Use the parts and hardware lists above to identify and separate each of the pieces included.
- The illustrations provided allow for easier assembly when used in conjunction with the assembly instructions.
- Note: Do not fully tighten all bolts until all parts are in place. Failure to follow these instructions may cause the bolts to misalign during assembly.
- If using power tools to aid in assembly please use caution. Power tools can damage hardware or split wood.

ASSEMBLY INSTRUCTIONS:

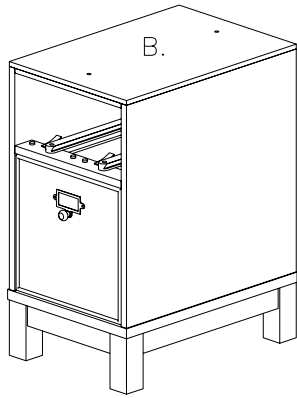
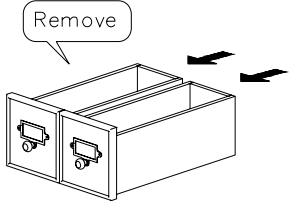
1. Carefully remove top 2 drawers from Schoolhouse Case (B) as shown.
2. Place Side Corner Desk Top (B) on each side of Center Corner Desk Top (A) in a dust free floor and attach Worktop Connector (I) to secure the corner desk top.
3. Insert Leg Support (C) to Corner Desk Top as shown.
4. Carefully upright the Corner Desk Top and Place on the top of Schoolhouse Case (D) and secure by using (2) Allen Bolts, Flat Washers & Spring Washers. Repeat another side. Note: The correct order for the washers to go on the Allen Bolt is: Spring Washer first, Flat Washer second. Please see diagram.
5. Place 2 drawers of Schoolhouse Case back to complete the assembly.

CARE INSTRUCTIONS:

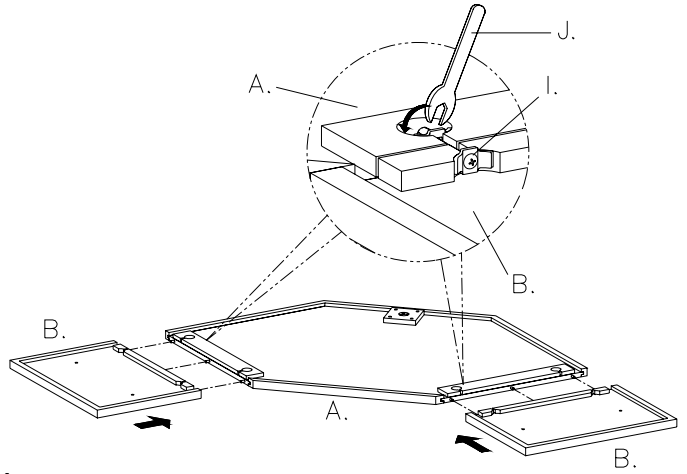
- Dust with a clean, soft cloth.
- Avoid the use of chemicals and harsh cleaning agents.
- Do not stand on the base.

Thank you for your purchase.

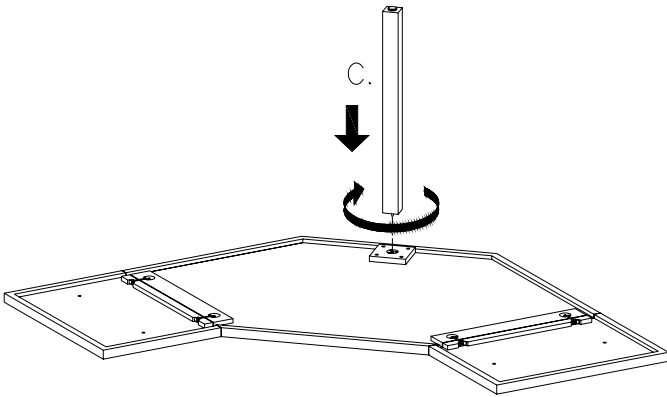
1.



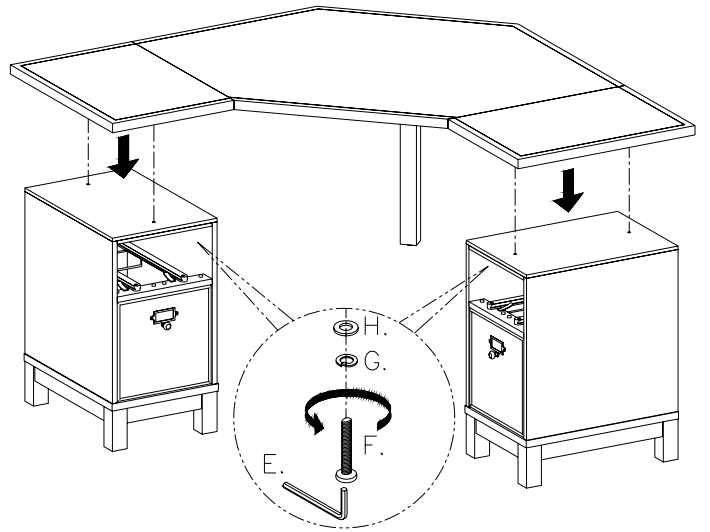
2.



3.



4.



5.

