

pottery barn kids

MADELINE WRITING DESK HUTCH

PRE-ASSEMBLY:

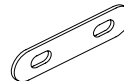
- Please read all instruction before beginning assembly. The illustrations provided allow for easier assembly when used in conjunction with the assembly instructions.
- Remove all parts and hardware from box and lay out on a carpeted or scratch-free work surface, as this will avoid damaging any parts during assembly. The shipping box provides and ideal work surface. Do not dispose of any contents until assembly is completed to avoid accidentally discarding small parts or hardware.
- For your safety and ease, adult assembly by two people is recommended.
- Save all packing materials until assembly is complete to avoid accidentally discarding smaller parts or hardware.
- Use the parts and hardware lists to identify and separate each of the pieces included prior to starting assembly.
- Note: DO not fully tighten all bolts until all parts are in place. Failure to follow these instructions may cause the bolts to misalign during assembly.
- If using power tools to aid in assembly please use caution. Power tools can damage hardware of split wood.

HARDWARE ENCLOSED:

(A) Allen bolt 1/4"x13x15mm – 4pcs



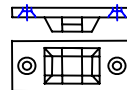
(B) Mounting plate 80x20x2mm – 2pcs



(C) Allen Key 4x74x29mm – 1pc



(D) Bracket 48x21x10mm – 2pcs



(E) Long screw 6x32mm – 2pcs



(F) Short screw 6x19mm – 2pcs

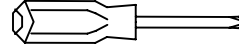


(G) Nylon strap 300x12x8mm – 1pc



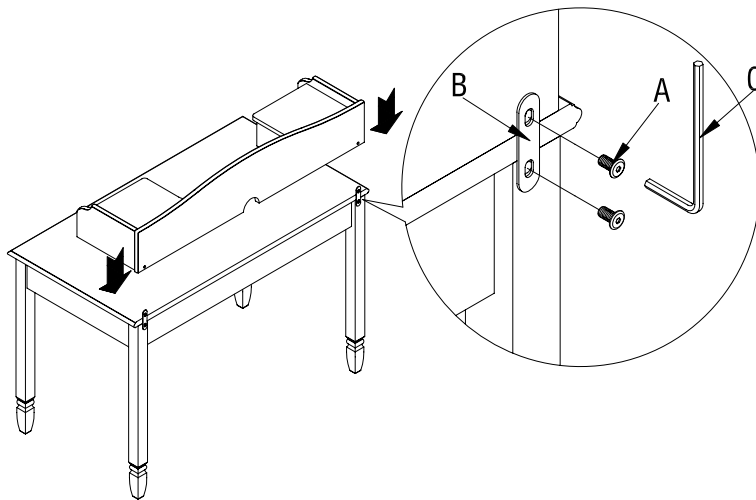
TOOLS REQUIRED:

Phillips head screwdriver (not included)



ASSEMBLY INSTRUCTIONS:

1. Carefully place the desk hutch on storage desk in upright position, taking care not to scratch the surface of the desk, as shown.
2. Using the Phillips head screwdriver (not included), place the Mounting plates (B) over the pre-drilled holes to back edge of the desk hutch and pre-drilled holes of the storage desk. Secure the connection by inserting the (A) Allen bolt and tightening with the Allen Key (C).
3. Hardware should be checked periodically for tightness.



CARE INSTRUCTIONS:

- Dust often using a clean, soft, dry lint-free cloth.
- Blot spills immediately, and wipe with a clean, damp, cloth.
- We do not recommend the use of chemical cleansers, abrasives, or furniture polish on our lacquered finish.

Thank you for your purchase

stores | catalog | www.potterybarnkids.com

USA 1.800.290.8181

FURNITURE TIPPING RESTRAINT

Young children may be injured by tipping furniture. The use of a tipping restraint is highly recommended. When properly installed, this restraint could provide protection against the unexpected tipping of furniture due to small tremors, bumping or climbing. We recommend mounting this restraint to a wall stud.

WARNING: This product is only a deterrent. It is not a substitute for proper adult supervision.

Hardware Included (also described on page two):

- (D) Brackets – 2pcs
- (E) Long screws – 2pcs
- (F) Short screws – 2pcs
- (G) Nylon strap – 1pc

INSTALLATION INSTRUCTIONS:

1. Locate a wall stud behind your furniture, Position a bracket (D) on the stud approximately 1" below the top of the furniture. Mark and drill pilot hole into the center of the stud with a 3/32" drill bit. Attach a bracket (D) to the stud with the long screws (E) provided.
2. On the back of the furniture, a bracket (D) will need to be attached to the furniture frame at the top. To do this, temporarily move the furniture into its final position and mark the location of the wall bracket on the furniture frame. Move the furniture away from the wall and place a bracket on the mark. Mark and drill holes for screws with a 3/32" drill bit. Attach the bracket to the furniture with the short screws (F) provided.
3. Move the furniture into its final position, taking care to line up the wall bracket with the furniture bracket. Thread strap (G) through the bracket as shown in the illustration. Tighten strap until snug. Do not over tighten.

