

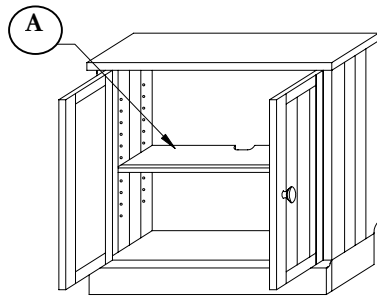
pottery barn kids

thomas wall cabinet (left & right)

- Please read all instructions carefully before beginning assembly.
- For your safety, assembly by two people is recommended.
- Save all packing materials until assembly is complete to avoid accidentally discarding smaller parts or hardware. One extra knob is included for your convenience.
- Philips head screwdriver not included.

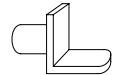
Parts Enclosed:

- (1) Shelf (A)

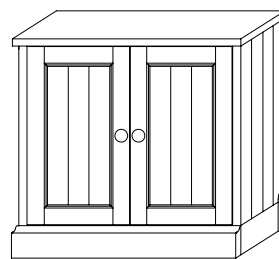
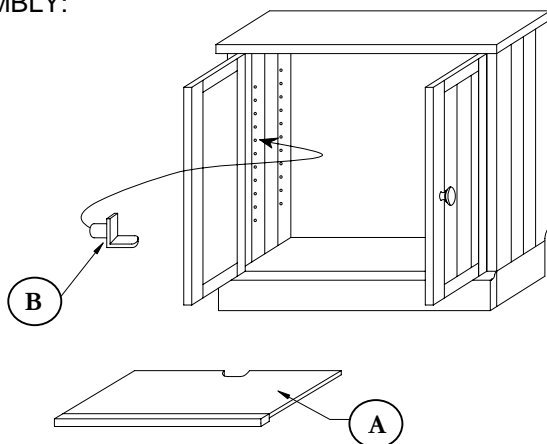


Hardware Enclosed:

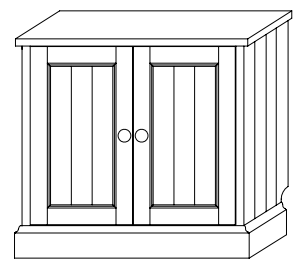
- (4+2) Shelf Support (B)



ASSEMBLY:



Left cabinet



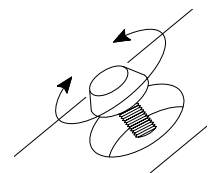
Right cabinet

Assembled

1. Determine the desired height for the shelf (A). Insert the shelf supports (B) in the pre-drilled holes as shown. Carefully insert shelf into the cabinet and rest it on the shelf supports. Be sure shelf is settled and steady prior to setting items upon it. Assembly is complete.

Due to uneven floor the furniture may not sit level causing it to wobble. If the piece wobbles, determine which corner does not touch the ground correctly. With two people follow these steps:

- Carefully elevate the item slightly to provide access to the levellers attached to the bottom.
- Turn the levellers in a counter-clockwise direction.
- Gently set down the piece and check stability.
- Repeat steps until the furniture sits firmly on the ground.



The use of power tools during the assembly of this item can cause the hardware to strip or the wood to split. Please proceed with extreme care.

CARE:

To clean, wipe with a soft dry or slightly damp cloth.

Thank you for your purchase.

pottery barn kids

THOMAS WALL HUTCH (LEFT & RIGHT)

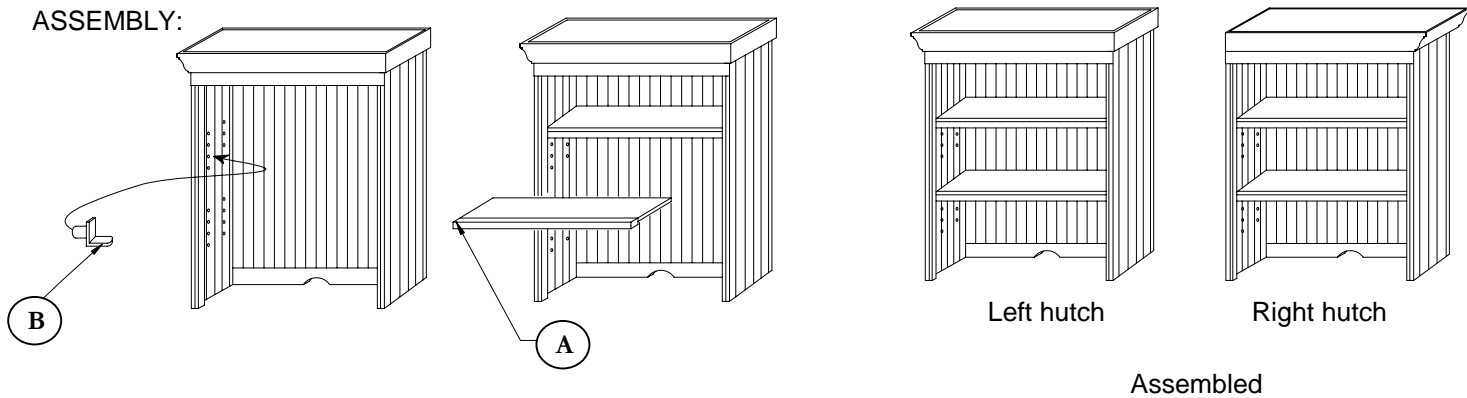
- Please read all instructions carefully before beginning assembly.
- For your safety, assembly by two people is recommended.
- Save all packing materials until assembly is complete to avoid accidentally discarding smaller parts or hardware.

PARTS ENCLOSED:

- (2) Shelf (A)

HARDWARE ENCLOSED:

- (8+2) Shelf Support (B)



1. Determine the desired height for the shelf (A). Insert the shelf supports (B) in the pre-drilled holes as shown. Carefully insert shelf into the hutch and rest it on the shelf supports. Be sure shelf is settled and steady prior to setting items upon it. Assembly is complete.

CARE:

To clean, wipe with a soft dry or slightly damp cloth.

Thank you for your purchase