

pottery barn kids

THOMAS DAYBED

PRE-ASSEMBLY:

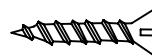
- Remove all parts and hardware from the box and lay out on a clear carpeted or scratch-free work surface, as this will avoid damaging parts during assembly. The shipping box provides an ideal work surface. Do not dispose of any contents until assembly is completed to avoid accidentally discarding small parts or hardware.
- Two adults recommended for ease of assembly.
- Use the parts and hardware lists to identify and separate each of the pieces included prior to starting assembly.
- The illustrations provided allow for easier assembly when used in conjunction with the assembly instructions.
- Note: Do not fully tighten all bolts until all parts are in place. Failure to follow these instructions may cause the bolts to misalign during assembly.
- If using power tools to aid in assembly please use caution. Power tools can damage hardware or split wood.

PARTS INCLUDED:

- (A) Headboard – 1pc
- (B) Footboard – 1pc
- (C) Double side rail – 1pc
- (D) Single side rail – 1pc
- (E) Slat Roll – 1pc
- (F) Finials – 4pcs

HARDWARE ENCLOSED:

- (G) Phillips head screw 8x30mm – 28pcs



TOOLS REQUIRED:

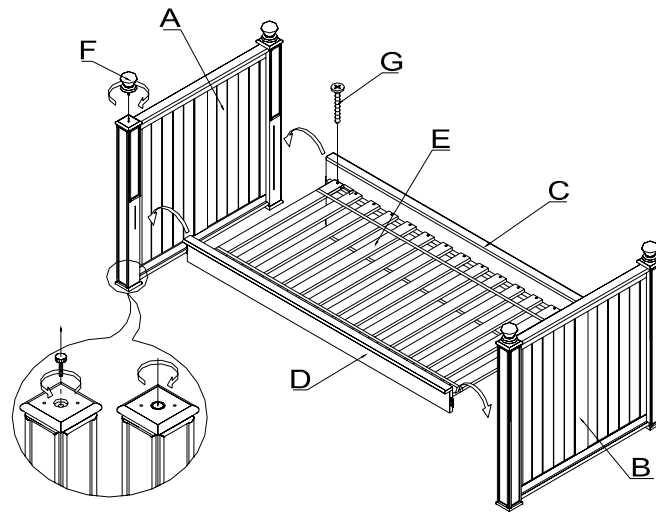
Phillips Head Screw driver (not included)

CARE INSTRUCTIONS:

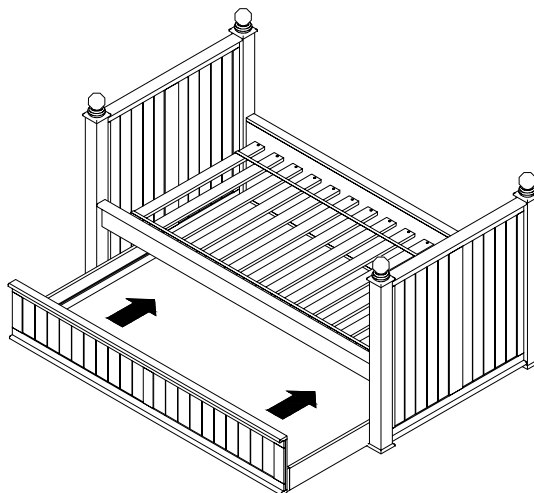
- Dust often using a clean, soft, dry lint-free cloth.
- Blot spills immediately, and wipe with a clean, damp, cloth.
- We do not recommend the use of chemical cleansers, abrasives, or furniture polish on our lacquered finish.

ASSEMBLY INSTRUCTIONS:

1. Hold double side rail (C) and single side rail (D) up to slots on the legs of the headboard (A) and insert the hooks of each side rail into the slots. Push down firmly on the top of side rails until they seat themselves over the pins inside the legs slots as shown.
2. Repeat the same procedure with the footboard (B).
3. Insert the finial (F) into the top of the bedposts and turn to tighten.
4. Lay the slat roll (E) in between the side rail and use 28 Large Phillips Head screws (G) to fasten slats to the side rail with the Phillips head screwdriver for both beds.
5. Retighten all bolts and screws to make sure all are tight and bed structure is rigid. It is recommended all screws be checked from time to time for safety.



6. Carefully lay the trundle box upside down on a carpeted or scratch-free surface. Slide trundle bed under the daybed's single rail until the rails are flush.



Thank you for your purchase

stores | catalog | www.potterybarnkids.com

USA 1.800.290.8181