

pottery barn kids

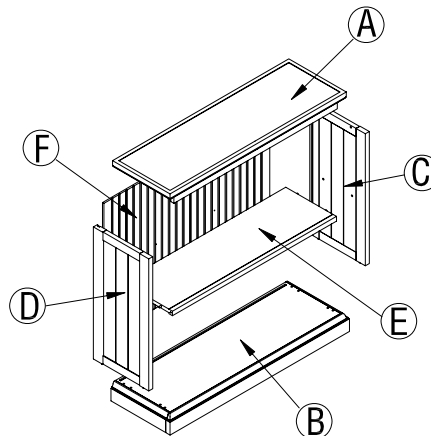
THOMAS WIDE BOOKCASE

PRE-ASSEMBLY:

- Please read all instructions before beginning assembly. The illustrations provided allow for easier assembly when used in conjunction with the assembly instructions.
- For your safety and ease, assembly by two adults is recommended.
- Remove all parts and hardware from box and lay out on a carpeted or scratch-free work surface as this will avoid damaging any parts during assembly. The shipping box provides an ideal work surface.
- Save all packing materials until assembly is complete to avoid accidentally discarding smaller parts or hardware.
- Use the parts and hardware lists to identify and separate each of the pieces included prior to starting assembly.
- Note: DO not fully tighten all bolts until all parts are in place. Failure to follow these instructions may cause the bolts to misalign during assembly.
- If using power tools to aid in assembly please use caution. Power tools can damage hardware or split wood.

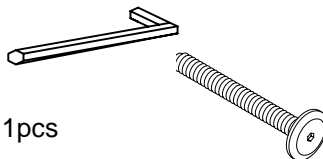
PARTS INCLUDED:

- A – Top panel- 1pc
 - B – Bottom panel -1pc
 - C – Right side panel – 1pc
 - D – Left side panel – 1pc
 - E – Shelf –1pc
 - F – Back panel –pc
- Separate Furniture Tipping Kit



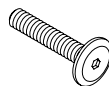
HARDWARE ENCLOSED:

- G – Allen Key – 1pc

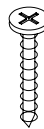


- H –Long Bolt 1/4"x50x15mm – 1pcs

- I –Short Bolt 1/4"x32x15mm – 4pcs



- J – Long Phillips Head Screws 8 x32mm – 4 pcs

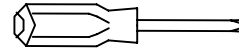


- K– Short Phillips Head Screws 8x19mm – 2pcs



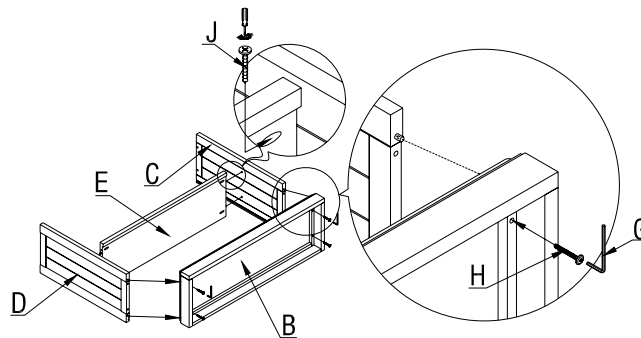
ADDITIONAL TOOLS REQUIRED:

Phillips Head Screwdriver (not included)

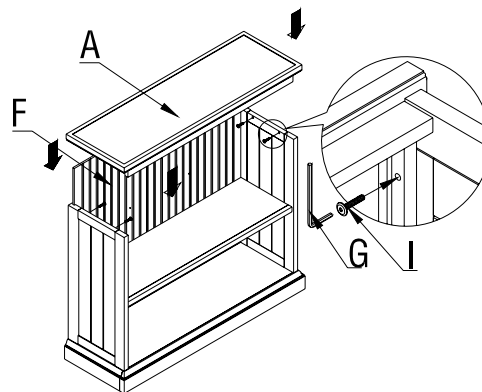


ASSEMBLY:

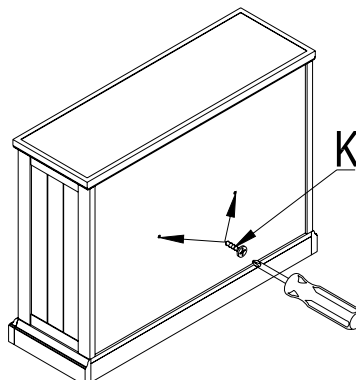
1. Lay the bottom panel (B) down as shown in the illustration below.
2. Attach the right side panel (C) and left side panel (D) to bottom panel (B) using long bolts (H) and Allen key (G).
3. Attach the shelf (E) to right side panel and left side panel exactly as shown using long Phillips head screws (J).



4. Insert the back panel (F). Attach the top panel (A) to the side panels using the Short bolts (I) .



5. Complete assembly by inserting the short Phillips head screws (K) into the back panel as shown.



Care Instructions:

- Dust often using a clean, soft, dry lint-free cloth.
- Blot spills immediately. Wipe with a clean, damp cloth.
- We do not recommend the use of chemical cleaners, abrasives or furniture polish on our lacquered finish.

Thank you for your purchase.

stores | catalog | www.potterybarnkids.com

USA 1.800.290.8181

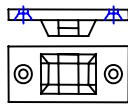
FURNITURE TIPPING RESTRAINT

Young children may be injured by tipping furniture. The use of a tipping restraint is highly recommended. When properly installed, this restraint could provide protection against the unexpected tipping of furniture due to small tremors, bumping or climbing. We recommend mounting this restraint to a wall stud.

WARNING: This product is only a deterrent. It is not a substitute for proper adult supervision.

HARDWARE ENCLOSED:

L – Bracket 48x21x10mm – 2pcs



M– Long screw 6x32mm - 2pcs



N – Short screw 6x19mm – 2pcs



O – Nylon strap 300x12x8mm – 1pc



INSTALLATION INSTRUCTIONS:

1. Locate a wall stud behind your furniture, Position a bracket (L) on the stud approximately 1” below the top of the furniture. Mark and drill pilot hole into the center of the stud with a 3/32” drill bit. Attach a bracket (N) to the stud with the long screws (M) provided.
2. On the back of the furniture, a bracket (L) will need to be attached to the furniture frame at the top. To do this, temporarily move the furniture into its final position and mark the location of the wall bracket on the furniture frame. Move the furniture away from the wall and place a bracket on the mark. Mark and drill holes for screws with a 3/32” drill bit. Attach the bracket to the furniture with the short screws (N) provided.
3. Move the furniture into its final position, taking care to line up the wall bracket with the furniture bracket. Thread strap (O) through the bracket as shown in the illustration. Tighten strap until snug. Do not over tighten.

