

pottery barn kids

WEATHERED NANTUCKET WALL CUBBY & CUBBY BASE

PRE-ASSEMBLY:

- Read all instructions before beginning assembly. The illustrations provided allow for easier assembly when used in conjunction with the assembly instructions.
- For your safety and ease, assembly by two adults is recommended.
- Remove all parts and hardware from the box and lay out on a clean, carpeted, or scratch-free work surface. Use care as some parts or hardware may have sharp points or edges.
- Do not dispose of any contents until assembly is completed to avoid accidentally discarding small parts or hardware.
- Use the parts and hardware lists to identify and separate each of the pieces included.
- Note: Do not fully tighten all bolts until all parts are in place. Failure to follow these instructions may cause the bolts to misalign during assembly.
- The use of power tools for assembly is not recommended. Power tools can damage hardware or split wood.

HARDWARE ENCLOSED:

- (A) Plates (2) 1-3/4" x 3/4"
- (B) Allen Screw 1" (4)



TOOLS REQUIRED FOR ASSEMBLY:

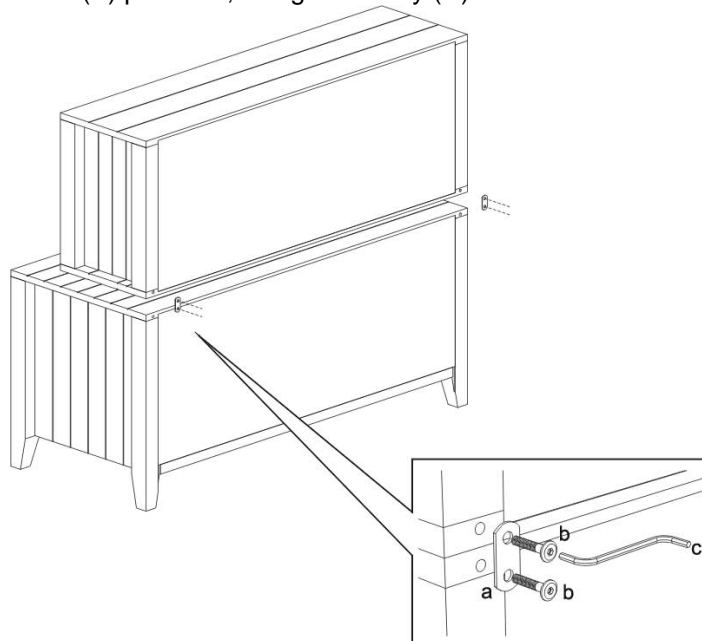
- (C) Allen wrench, included (1)



Note: As a safety precaution, please follow the instructions enclosed to secure the Headboard to the wall using the tipping-restraint kit included.

ASSEMBLY INSTRUCTIONS:

1. The wall cubby and cubby base are sold separately. If you have purchased both items, mending plates and screws are provided for stacking purposes. Carefully align the wall cubby on top of the cubby base as shown. Secure with mending plates (A) and screws (B) provided, using Allen Key (C).



CARE INSTRUCTIONS:

- Dust often using a clean, soft, dry, lint-free cloth.
- Blot spills immediately, and wipe with a clean, damp, cloth.
- We do not recommend the use of chemical cleansers, abrasives, or furniture polish on our lacquered finish.

Thank you for your purchase
stores | catalog | www.potterybarnkids.com
USA 800.290.8181