

# pottery barn kids

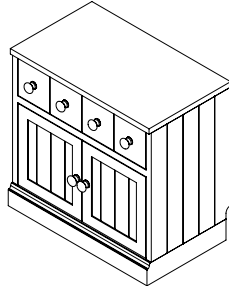
## THOMAS LOW STORAGE WALL CENTER CABINET

### PRE-ASSEMBLY:

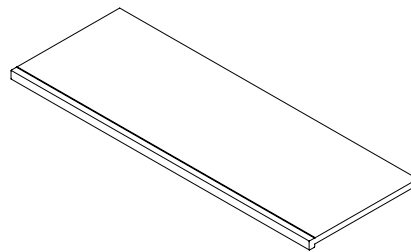
- Read all instructions before beginning assembly. The illustrations provided allow for easier assembly when used in conjunction with the assembly instructions.
- For your safety and ease, assembly by two adults is recommended.
- Remove all parts and hardware from the box and lay out on a clean, carpeted, or scratch-free work surface. Use care as some parts or hardware may have sharp points or edges.
- Do not dispose of any contents until assembly is completed to avoid accidentally discarding small parts or hardware.
- Use the parts and hardware lists to identify and separate each of the pieces included.
- Note: Do not fully tighten all bolts until all parts are in place. Failure to follow these instructions may cause the bolts to misalign during assembly.
- The use of power tools for assembly is not recommended. Power tools can damage hardware or split wood.

### PARTS INCLUDED:

(A) Wall Base Center – (1)



(B) Shelf – (1)



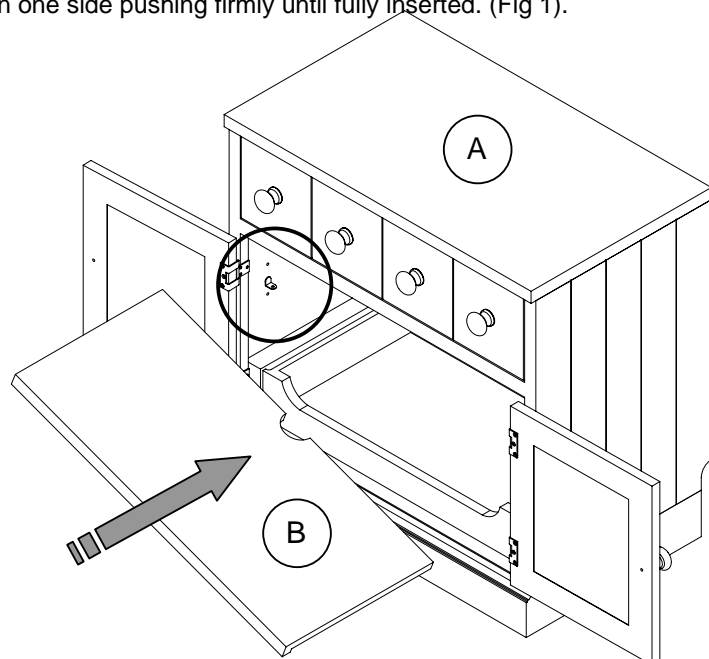
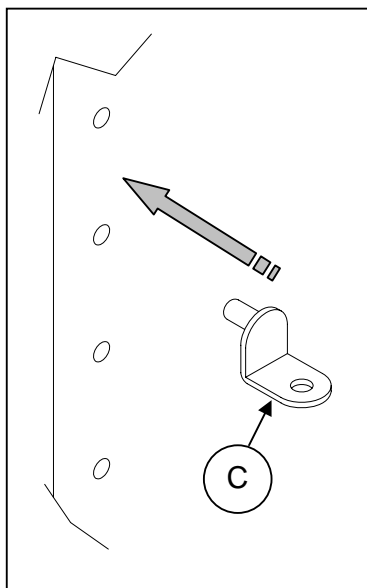
### HARDWARE ENCLOSED:

(C) Shelf pegs – (4)



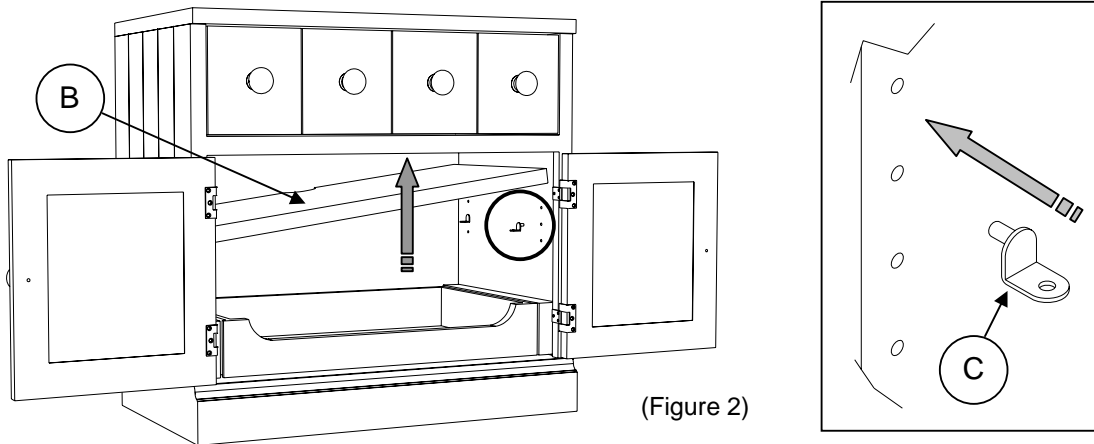
### ASSEMBLY INSTRUCTIONS:

1. Determine the desired height for the shelf (B). **Note: Do not insert all the Shelf Pegs at once.** Insert two Shelf Pegs (C) into the pre-drilled holes on one side pushing firmly until fully inserted. (Fig 1).



(Figure 1)

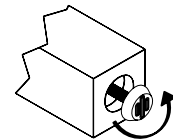
2. Gently tilt the shelf (B) by lowering the other end of the shelf until it seats onto the Shelf Pegs (C). Hold the other end in upright position and insert two Shelf Pegs (C) into the pre-drilled holes until fully inserted. Gently lower the shelf (B) and rest the entire shelf onto the Shelf Pegs (C). (Fig 2)



3. Assembly is complete.

If the floor is not perfectly even, the furniture may not sit level. Determine which corner does not touch the ground correctly. With two people follow these steps:

- Carefully elevate the item slightly to provide access to the levellers attached to the bottom.
- Turn the levellers in a counter-clockwise direction.
- Gently set down the piece and check stability.
- Repeat steps until the furniture sits firmly on the ground.



#### CARE INSTRUCTIONS:

- Dust often using a clean, soft, dry lint-free cloth.
- Blot spills immediately, and wipe with a clean, damp, cloth
- We do not recommend the use of chemical, cleansers, abrasives, or furniture polish on our lacquered finish.

Thank you for your purchase  
Stores | catalog | [www.potterybarnkids.com](http://www.potterybarnkids.com)  
USA 1.800.290.8181