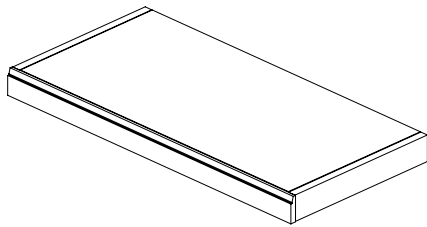


pottery barn kids

CAMERON PLATFORM BASE

PRE-ASSEMBLY:

- Read all instructions before beginning assembly. The illustrations provided allow for easier assembly when used in conjunction with the assembly instructions.
- For your safety and ease, assembly by two adults is recommended.
- Remove all parts and hardware from the box and lay out on a clean, carpeted, or scratch-free work surface. Use care as some parts or hardware may have sharp points or edges.
- Do not dispose of any contents until assembly is completed to avoid accidentally discarding small parts or hardware.
- Use the parts and hardware lists to identify and separate each of the pieces included.
- Note: Do not fully tighten all bolts until all parts are in place. Failure to follow these instructions may cause the bolts to misalign during assembly.
- The use of power tools for assembly is not recommended. Power tools can damage hardware or split wood.



PARTS INCLUDED:

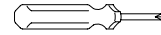
(A) Platform Base – 1pc

PARTS REQUIRED:

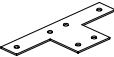
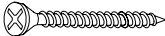
Cameron Cubby (Sold separately)

TOOLS REQUIRED:

Philips Screwdriver (Not included)

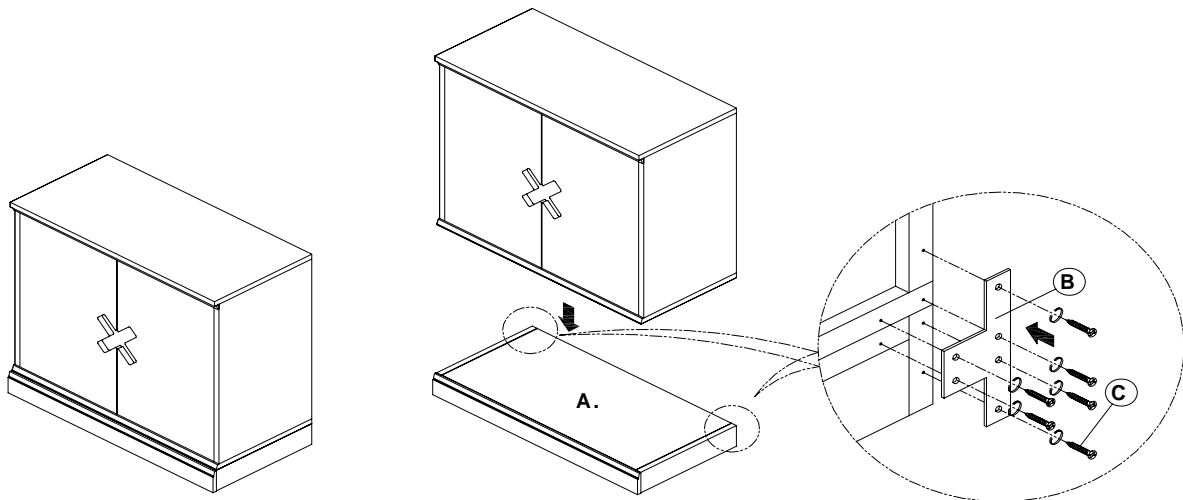


HARDWARE INCLUDED:

 <p>(B) T-Shaped Bracket – 2pcs</p>	 <p>(C) Wood Screw 3 x 12mm – 12pcs</p>
--	--

ASSEMBLY INSTRUCTIONS:

1. Place a Cameron Cubby piece (sold separately) on the Platform Base (A). Align a T-Shaped Bracket (B) on one side of the rear of the Cubby and Base pieces and secure with (6) Wood Screws (C). Repeat with the other side with the remaining bracket and screws.



CARE INSTRUCTIONS:

- Dust often using a clean, soft, dry lint-free cloth.
- Blot spills immediately, and wipe with a clean, damp, cloth.
- We do not recommend the use of chemical cleansers, abrasives, or furniture polish on our lacquered finish.

Thank you for your purchase.
stores | catalog | www.potterybarnkids.com
USA 1.800.290.8181