

# pottery barn kids

## larkin sleigh nightstand

### PRE-ASSEMBLY

- Please read all instructions carefully before beginning assembly.
- Remove all parts and hardware from the box and lay out on a clean, carpeted, or scratch-free work surface, as this will avoid damaging any parts during assembly. The shipping box provides an ideal work surface. Do not dispose of any contents until assembly is completed to avoid accidentally discarding small parts or hardware.
- We recommend adult assembly by two people for your safety.

### PARTS INCLUDED :

(A) Shelf – 1pc

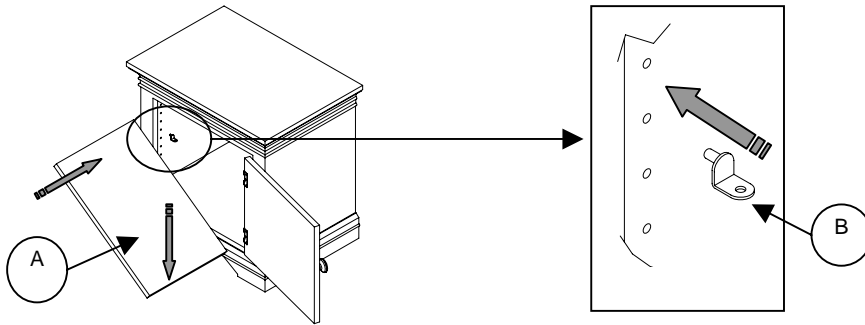
### HARDWARE ENCLOSED :

(B) Shelf pegs – 4pcs (plus 2 additional)

### ASSEMBLY INSTRUCTIONS:

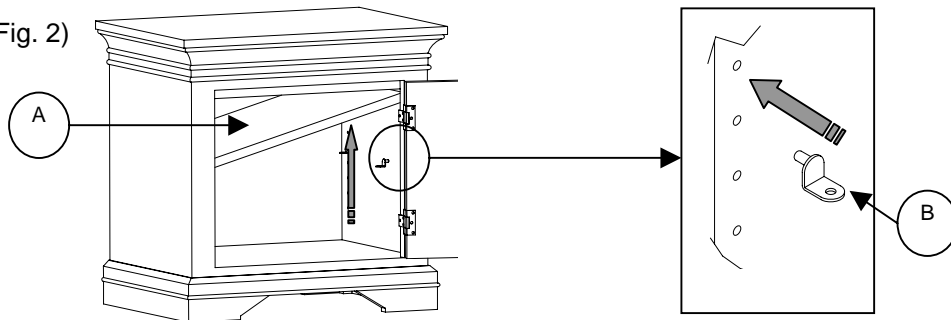
1. Determine the desired height for the Shelf (A). **Note: Do not insert all the shelf pegs at once.** Insert (2) Shelf pegs (B) into the pre-drilled holes on one side of the nightstand by pushing firmly until the peg is fully inserted. (Fig 1)
2. Carefully tilt the Shelf (A) by lowering one end of the shelf and inserting the shelf into the cabinet. Hold the shelf in tilting position. (Fig.1)

(Fig. 1)



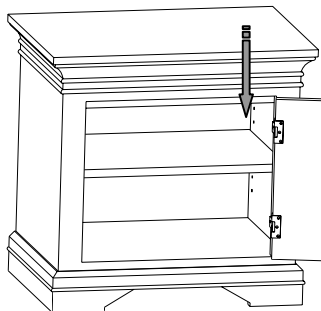
3. Gently tilt the shelf by lowering the raised end of the shelf until it rests on the shelf pegs. Hold the free end of the shelf in an upright position and insert the remaining (2) Shelf pegs (B) into the pre-drilled holes until fully inserted. (Fig 2)

(Fig. 2)



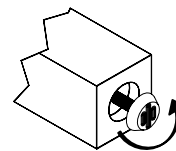
4. Gently lower the raised end of the shelf until the shelf rests flat on the shelf pegs. (Fig 3)

(Fig. 3)



If your floor is not perfectly even, the furniture may not sit level causing it to wobble. If the piece wobbles, determine which corner does not touch the ground correctly. With two people follow these steps: (Fig. 1)

- Carefully elevate the item slightly to provide access to the levelers attached to the bottom.
- Turn the levelers in an counter-clockwise direction.
- Gently set down the piece and check stability.
- Repeat steps until the furniture sits firmly on the ground.



Care Instruction:

- Use a soft dry or slightly damp cloth to clean periodically.
- To protect the finish always avoid the use of chemical and abrasive cleansers.

Thank you for your purchase  
stores | catalog | [www.potterybarnkids.com](http://www.potterybarnkids.com)  
USA 1.800.290.8181