

pottery barn kids

thomas extra wide media armoire hutch

PRE-ASSEMBLY:

- Please read all instructions carefully before beginning assembling.
- Remove all parts and hardware from the box and lay out on a clean, carpeted, or scratch-free work surface, as this will avoid damaging any parts during assembly. The shipping box provides an ideal work surface. Do not dispose of any contents until assembly is completed to avoid accidentally discarding small parts or hardware.
- We recommend adult assembly by two people for your safety.

PARTS INCLUDED:

- (A) Armoire Hutch – 1 pc
- (B) Armoire Base – 1pc

HARDWARE ENCLOSED:

- (C) T-Mending Plate– 2pcs
- (D) Square Mending Plate – 1pc
- (E) CBS Screws M3.5 x 16 MM – 16pcs

TOOL REQUIRED:

- (F) Phillips head screwdriver (not included)

ASSEMBLY INSTRUCTIONS:

1. Carefully raise the Armoire Hutch (A) with another person and set it onto the Armoire Base (B) as shown. Attach the T-Mending Plate (C) by aligning the pre-drilled holes on the sides the Armoire Hutch (A) with the pre-drilled holes on the sides of the Armoire Base (B), as shown below. Insert CBS Screws (E) to fasten the connection, using Phillips head screwdriver (F). (Fig.1)
2. Attach the Square Mending Plate (D) to the center of the Armoire Hutch (A) and Armoire Base (B), by aligning with the pre-drilled holes. Use CBS Screws (E) to fasten the connection, using Phillips head screwdriver (F). (Fig. 2)

Figure 1

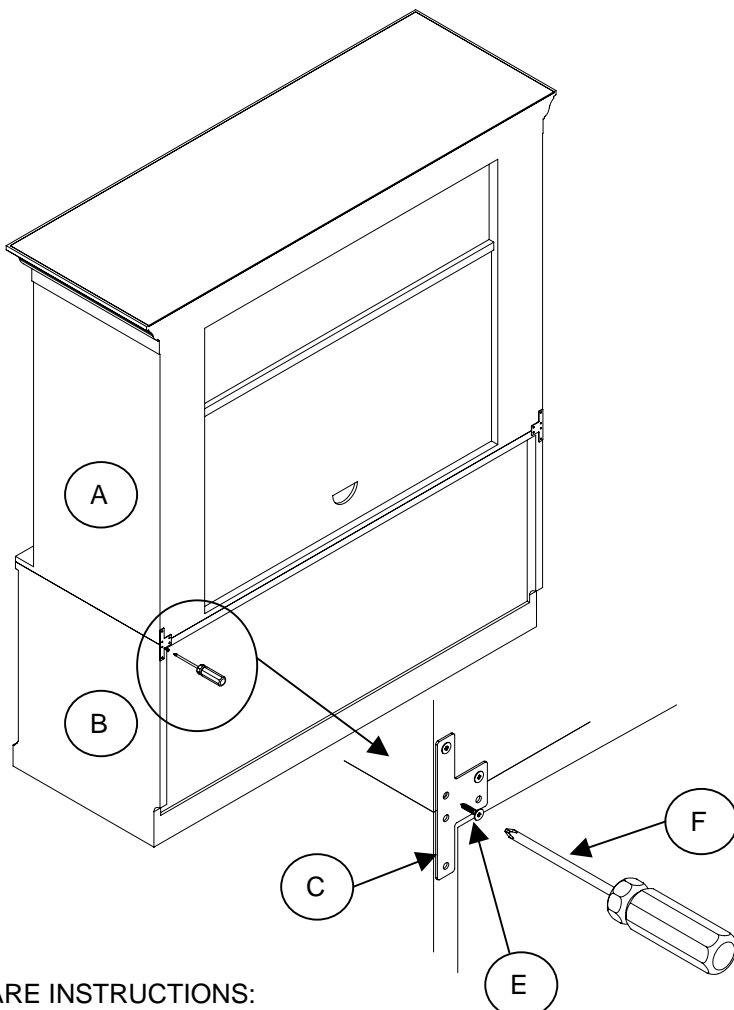
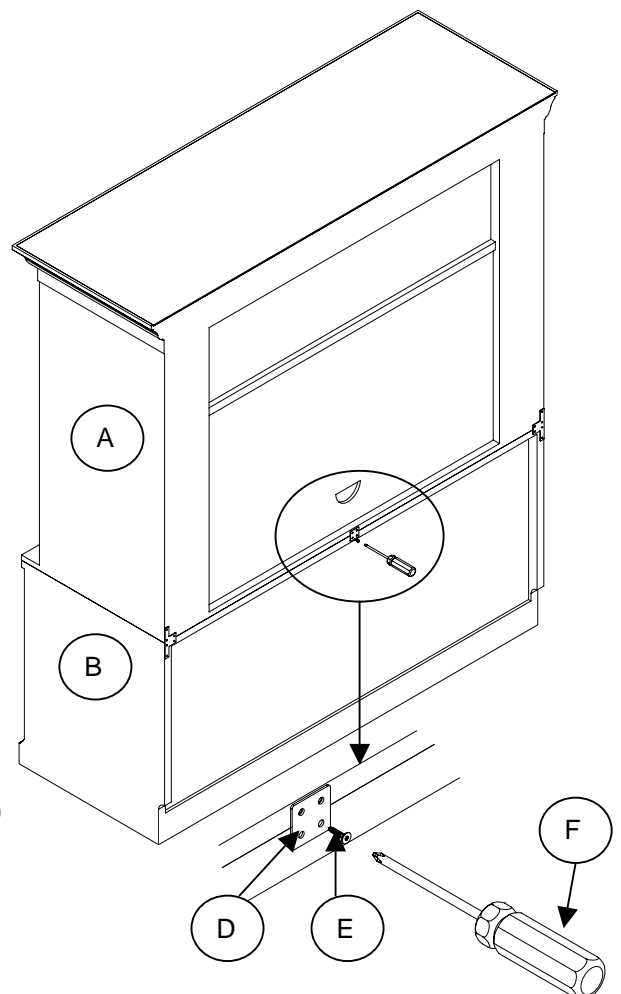


Figure 2



CARE INSTRUCTIONS:

- Dust often using a clean, soft, dry lint-free cloth.
- Blot spills immediately, and wipe with a clean, damp, cloth.
- We do not recommend the use of chemical cleansers, abrasives, or furniture polish on our lacquered finish.