

pottery barn kids

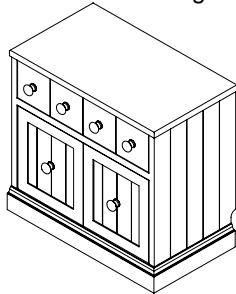
THOMAS LOW STORAGE WALL LEFT AND RIGHT CABINETS

PRE-ASSEMBLY:

- Read all instructions before beginning assembly. The illustrations provided allow for easier assembly when used in conjunction with the assembly instructions.
- For your safety and ease, assembly by two adults is recommended.
- Remove all parts and hardware from the box and lay out on a clean, carpeted, or scratch-free work surface. Use care as some parts or hardware may have sharp points or edges.
- Do not dispose of any contents until assembly is completed to avoid accidentally discarding small parts or hardware.
- Use the parts and hardware lists to identify and separate each of the pieces included.
- Note: Do not fully tighten all bolts until all parts are in place. Failure to follow these instructions may cause the bolts to misalign during assembly.
- The use of power tools for assembly is not recommended. Power tools can damage hardware or split wood.

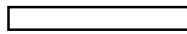
PARTS INCLUDED:

- (A) Wall Base Left & Right – (1)



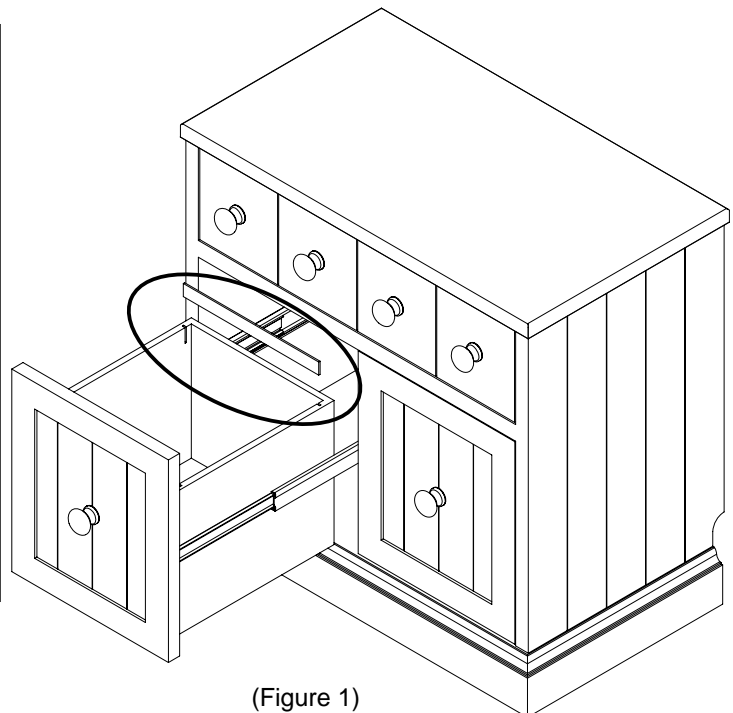
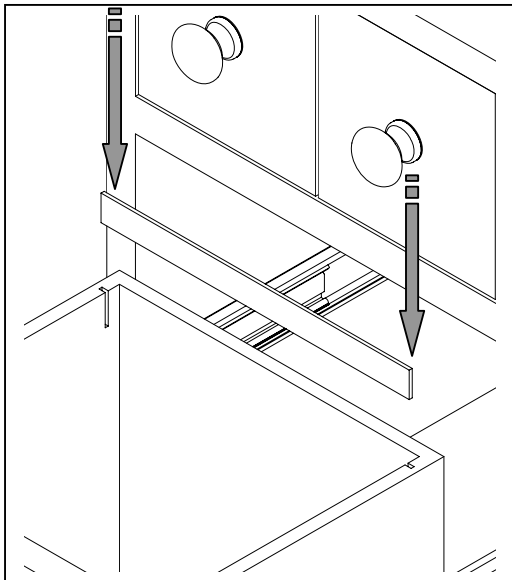
HARDWARE ENCLOSED:

- (B) File Bar – (4)



ASSEMBLY INSTRUCTIONS:

1. Pull the drawer out and position both the file bar (B) into the notches located at the front and back of the drawer. (Fig 1).

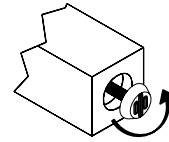


(Figure 1)

2. Assembly is complete.

If the floor is not perfectly even, the furniture may not sit level. Determine which corner does not touch the ground correctly. With two people follow these steps:

- Carefully elevate the item slightly to provide access to the levellers attached to the bottom.
- Turn the levellers in a counter-clockwise direction.
- Gently set down the piece and check stability.
- Repeat steps until the furniture sits firmly on the ground.



CARE INSTRUCTIONS:

- Dust often using a clean, soft, dry lint-free cloth.
- Blot spills immediately, and wipe with a clean, damp, cloth
- We do not recommend the use of chemical, cleansers, abrasives, or furniture polish on our lacquered finish.

Thank you for your purchase
Stores | catalog | www.potterybarnkids.com
USA 1.800.290.8181