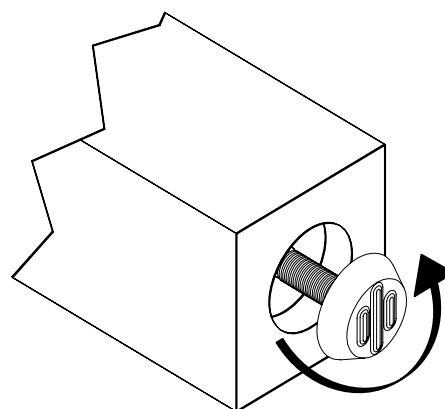
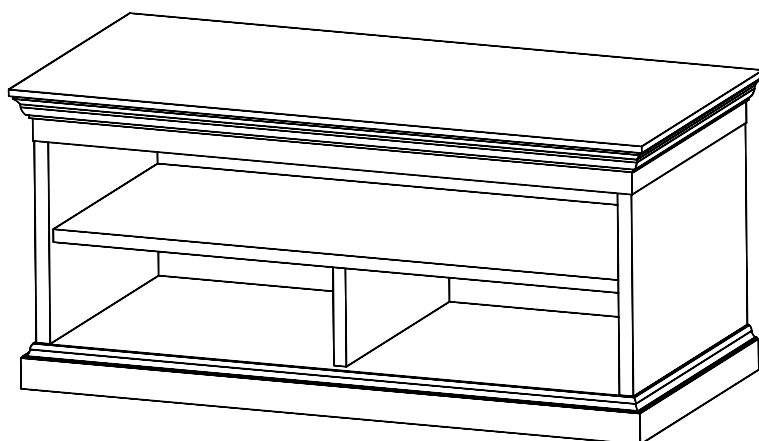
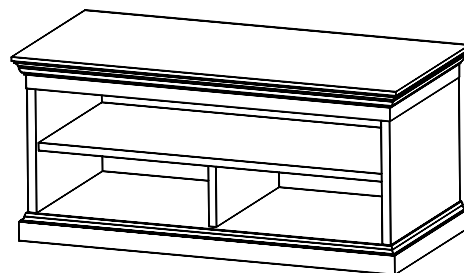


pottery barn kids

THOMAS MEDIA STAND

The Thomas Media Stand is equipped with built-in levelling devices to accommodate uneven floor surfaces.

- Set furniture piece to desire location and check for stability.
- Pay attention to which corner is unstable.
- Carefully elevate the item slightly at the unstable corner to provide access to the levellers attached to the bottom.
- Turn the levellers in a counter-clockwise direction.
- Gently set down the piece and re-check stability.
- Repeat steps until the furniture sits firmly on the ground.



CARE:

- Dust with a soft, dry cloth.

Thank you for your purchase

stores | catalog | www.potterybarnkids.com