

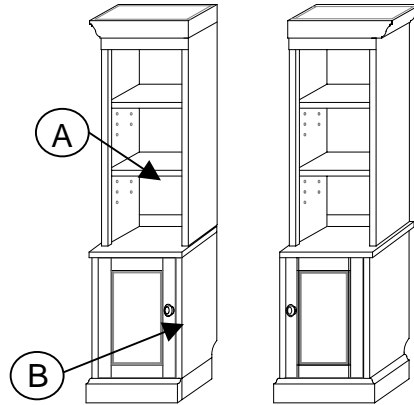
pottery barn kids

thomas wall system narrow base and hutch

- Please read all instructions carefully before beginning assembly.
- For your safety, assembly by two people is recommended.
- Save all packing materials until assembly is complete to avoid accidentally discarding smaller parts or hardware.
- The use of power tools during the assembly of this item can cause the hardware to strip or the wood to split. Please proceed with extreme care.
- Philips head screwdriver not included.

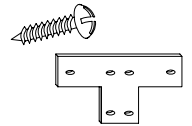
Parts Enclosed:

- (A) Narrow Hutch – 1pc
- (B) Narrow base – 1pc



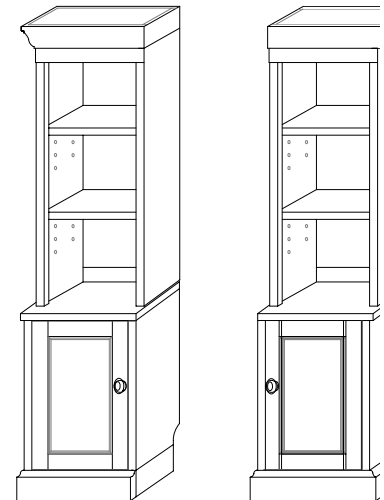
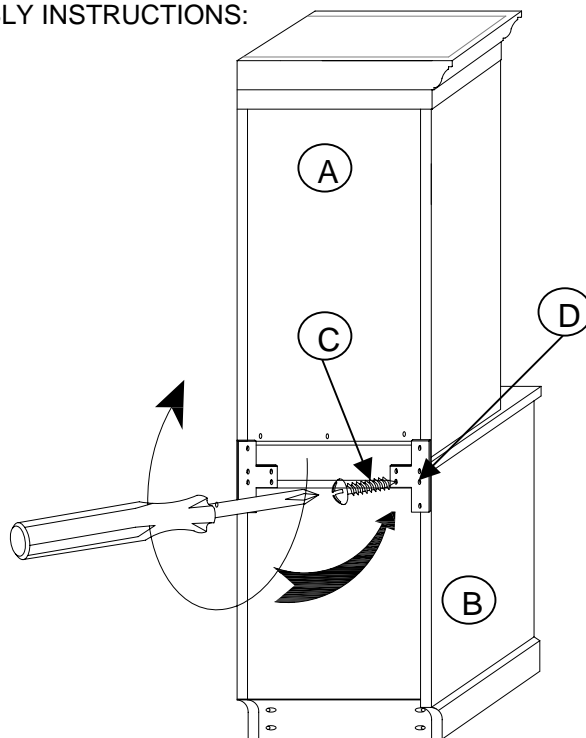
Hardware Enclosed:

- (C) CBS M3.5x16mm – 12pcs
- (D) T Mending Plate – 2pcs



To attach wall hutch to the cabinet, please follow this step:

ASSEMBLY INSTRUCTIONS:



Assembled

1. Carefully raise the hutch (A) with another person and set onto the top of the desk (B). Attach the connection plates (D) by aligning the plates with the pre-drilled pilot holes. Use CBS screws (C) to fasten the connections.

CARE INSTRUCTIONS:

- Use a soft dry or slightly damp cloth to clean periodically.
- To protect the finish always avoid the use of chemical and abrasive cleansers.

Thank you for your purchase
stores | catalog | www.potterybarnkids.com
USA 1.800.290.8181