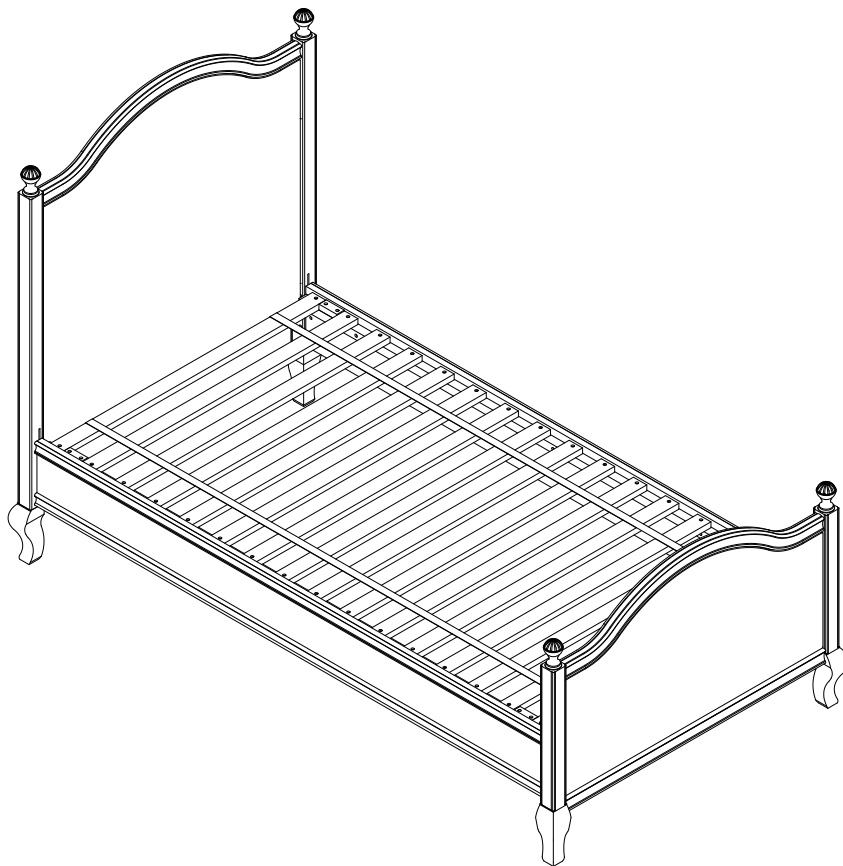


pottery barn kids



REMY BED

www.potterybarnkids.com

+

Important Safety Instructions:

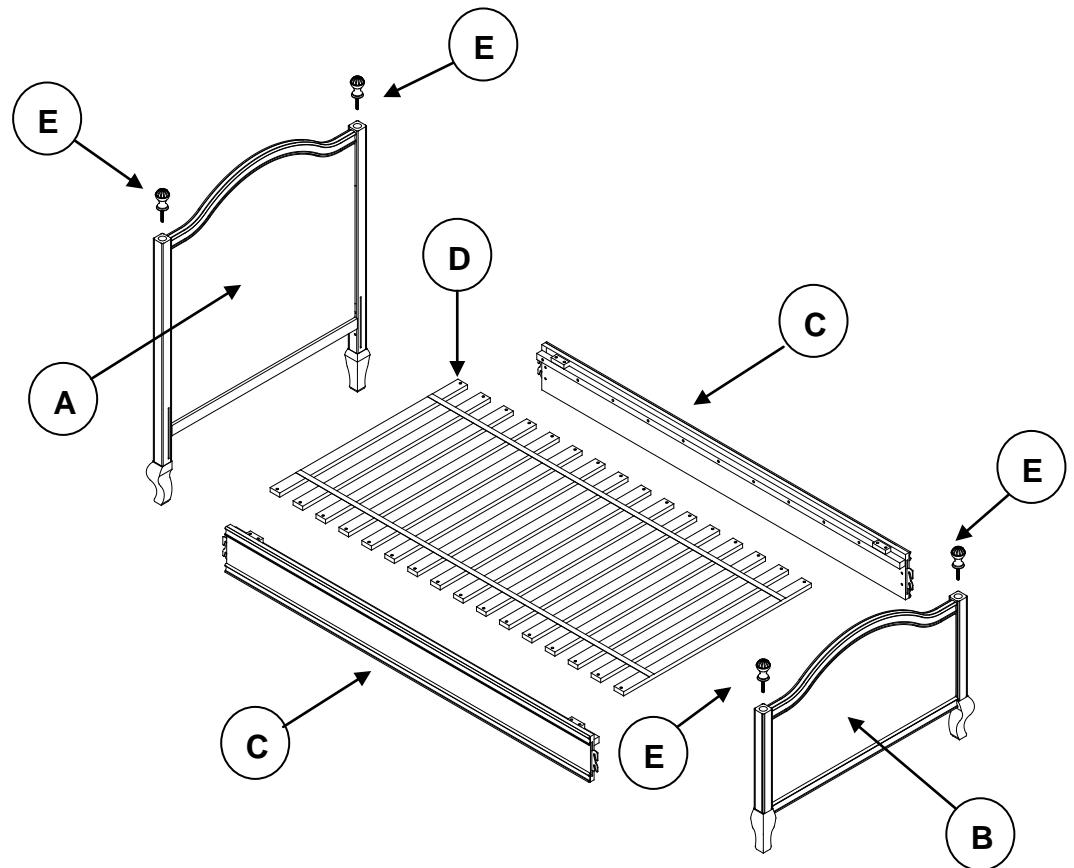
- Please read all instructions carefully before assembling.
- For your safety, assembly by two or more adults is recommended.
- Keep instructions for future use.
- Use only vendor supplied hardware to assemble. Using unauthorized hardware could jeopardize the structural integrity of the item.
- Do not remove warning labels. Labels are permanent and not designed to be removed.

Pre-assembly:

- Remove all parts and hardware from the box and lay out on a clear carpeted or scratch-free work surface, as this will avoid damaging parts during assembly. The shipping box provides an ideal work surface.
- Do not dispose of any packaging or contents of the shipping carton until assembly is completed to avoid accidentally discarding small parts or hardware.
- Use the parts and hardware lists below to identify and separate each of the pieces included.
- The illustrations provided allow for easier assembly when used in conjunction with the assembly instructions.
- The use of power tools to aid in assembly is not recommended. Power tools can damage hardware and split wood.

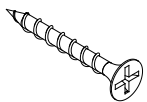
Parts Included:

- (A) Headboard (1x)
- (B) Footboard (1x)
- (C) Side rails (2x)
- (D) Slat roll (1x)
- (E) Finial (4x)



Hardware Included:

- (F) Wood screw
4x30 mm – 32x



Tools required (not included):



Philips Head Screwdriver

Assembly Instruction Steps:

1. Determine the desired location of the bed. (See image A & B below.)

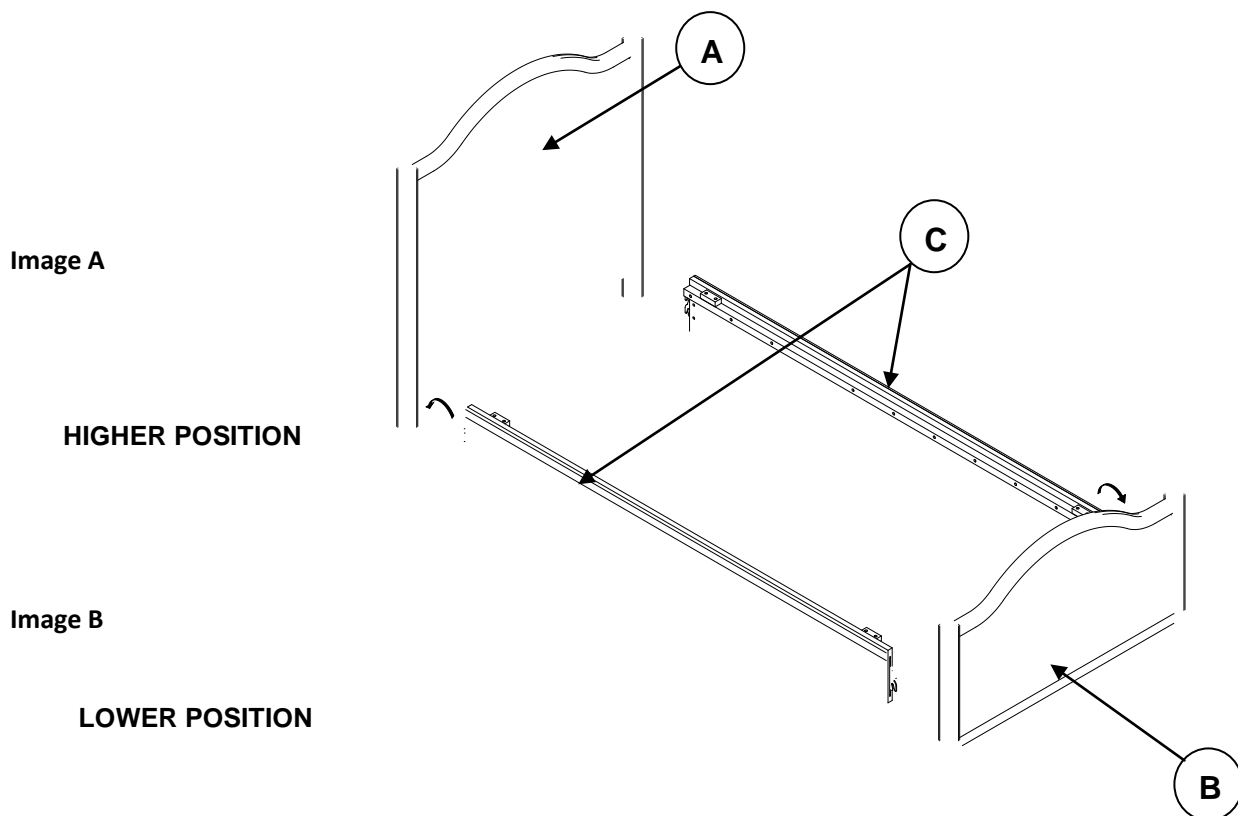
NOTE: Side rails have (2) settings:

Use the HIGHER setting if not using a box spring mattress and/of if a trundle will be used with the bed.

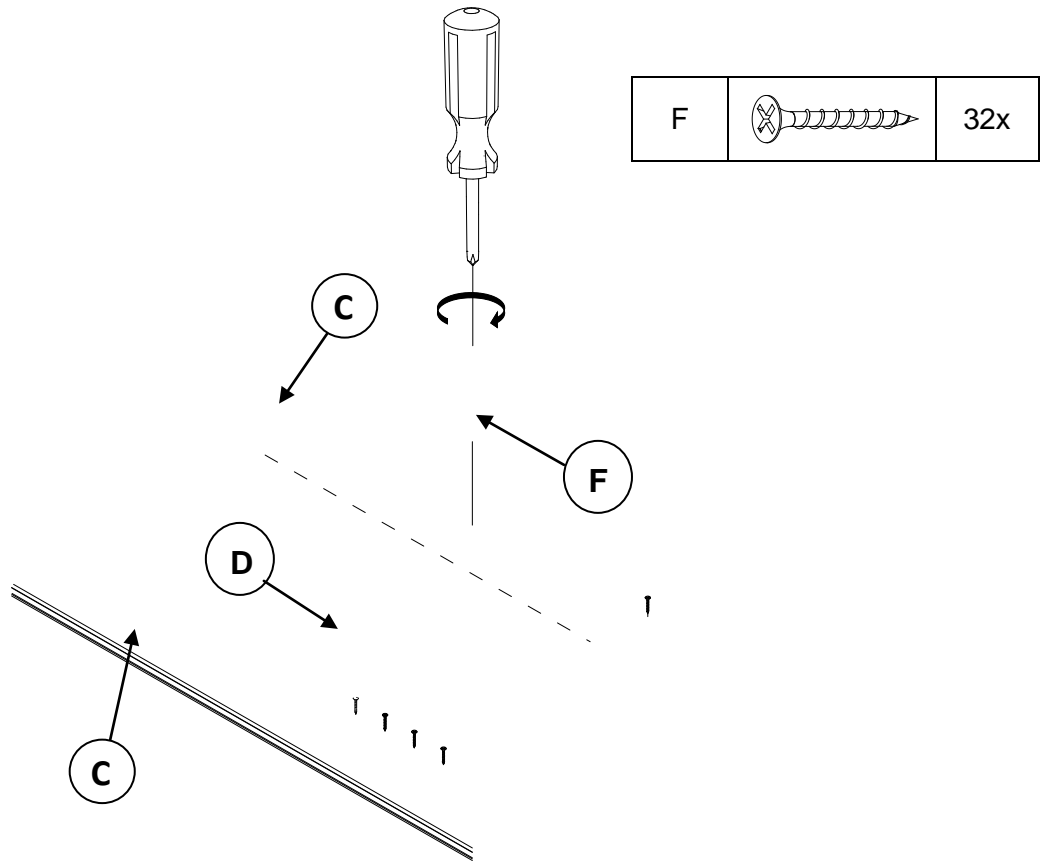
Use the LOWER setting if using a mattress & box spring. We recommend a box spring if you want to use a bed skirt/box spring cover or add height to the bed.

Our beds do not require a box spring at either setting since they include a slat roll foundation system, but one may be used.

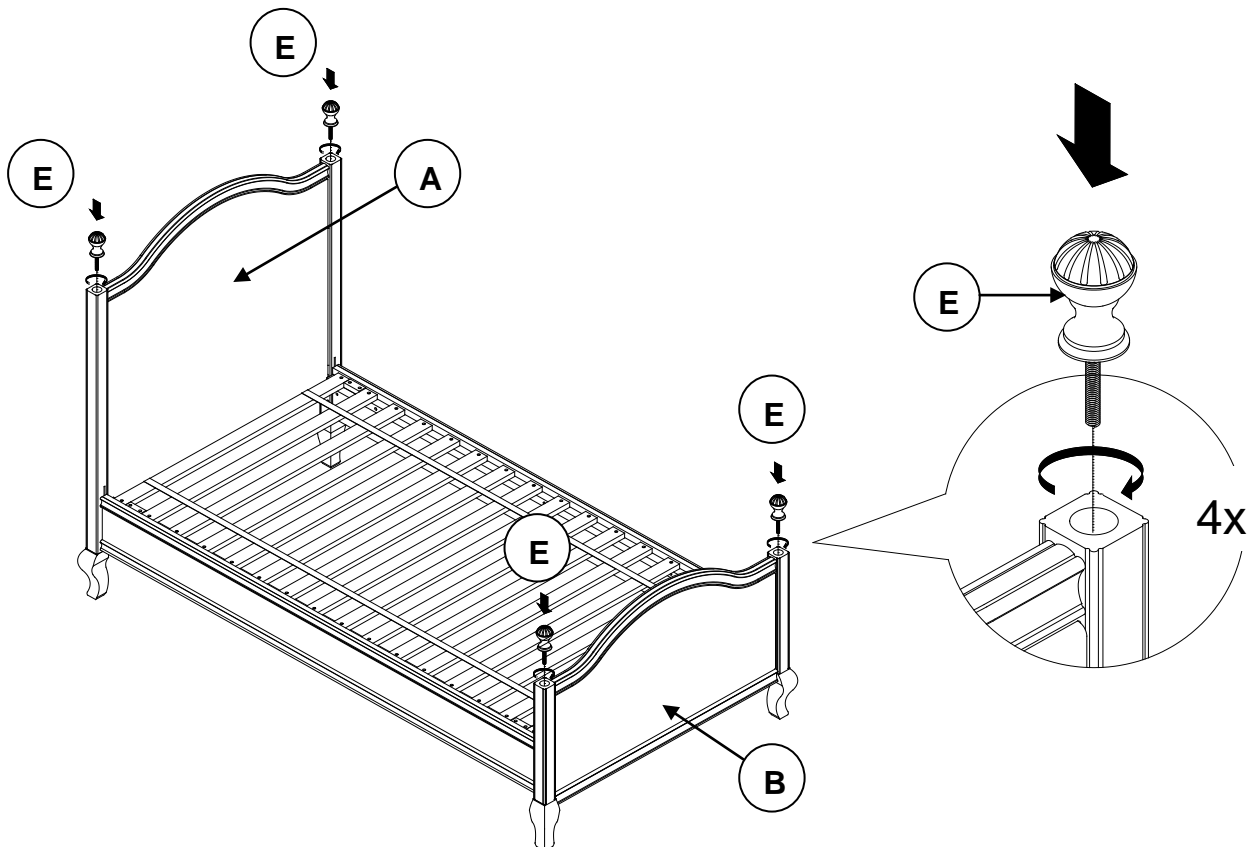
2. Attach (C) to (A) & (B) by inserting the pre-fixed hooks into the corresponding slots as shown below. Apply downward pressure and ensure connections are secure.



3. Lay (D) onto inner ledge of Side Rails (C) and fasten each slat with (F) and Phillips head screw driver (not provided) as shown below.



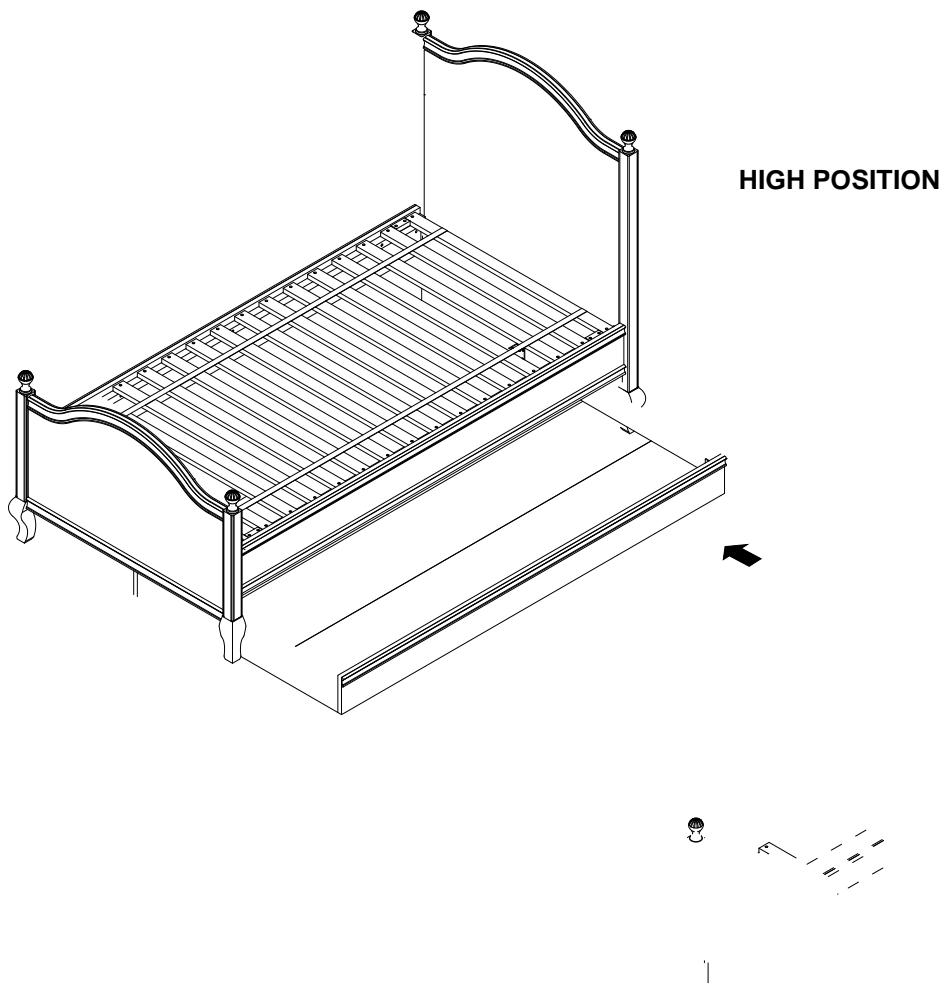
4. Insert (E) into the metal insert of the Headboard (A) & Footboard (B) post, as shown below.



5. Assembly is completed.

Remy Trundle (sold separately)

Note: Make sure the Side Rails of the Remy Bed are at the high position before pushing the trundle underneath.



Care Instructions:

- Dust often using a clean, soft, dry, lint-free cloth.
- Blot spills immediately, and wipe with a clean, damp cloth.
- We do not recommend the use of chemical cleansers, abrasives, or furniture polish on our lacquered finish.
- If the product is to be stored, store in cool dry place and carefully package all original hardware to protect from loss or damage.
- Check fasteners periodically for tightness. **DO NOT** over tighten, as this may cause distortion or breakage.

Thank you for your purchase
Stores | catalog | www.potterybarnkids.com
USA 1.800.290.8181