

# pottery barn kids

## CAMP BUNK SYSTEM



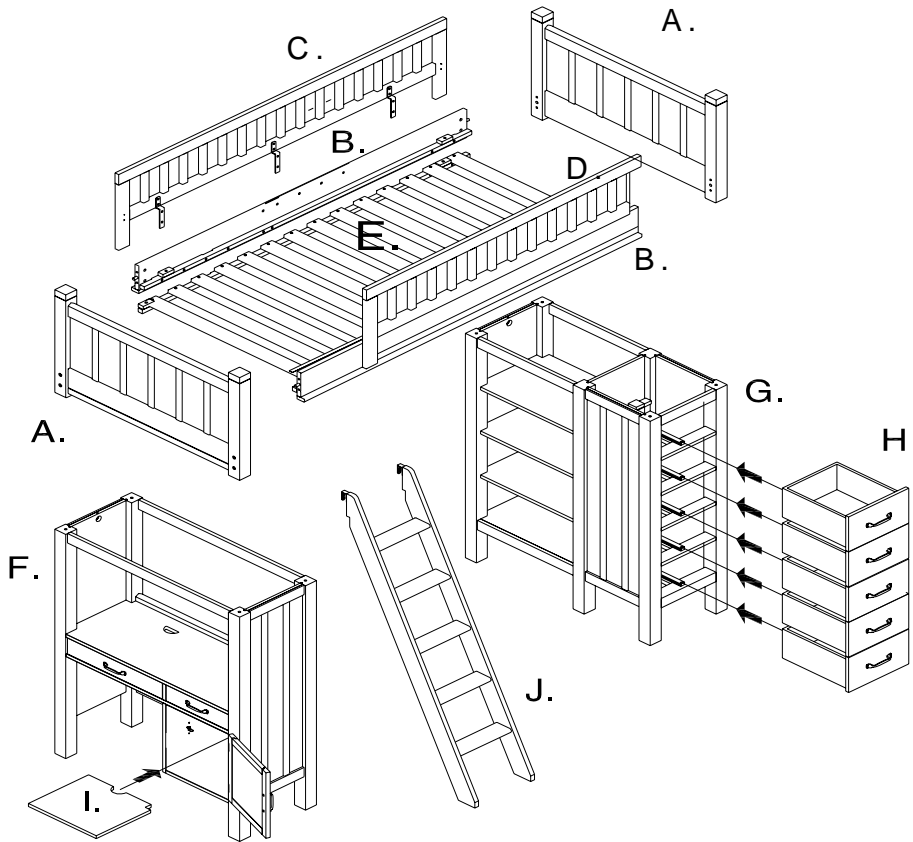
### **WARNING**

Failure to follow these warnings and assembly instructions could result in serious injury or death.

- Read all instructions before assembling bunk bed. **KEEP INSTRUCTIONS FOR FUTURE USE.**
- Before each usage or assembly, inspect bunk bed for damaged hardware, loose joints, missing parts or sharp edges. **DO NOT** use bunk bed if any parts are missing or broken. Telephone or write to Pottery Barn Kids for replacement parts and instructional literature if needed. **DO NOT** substitute parts.
- Follow the information on the warnings appearing on the upper bunk end structure and on the carton. **DO NOT REMOVE WARNING LABEL FROM THE BED.**
- Never allow a child under 6 years on upper bunk.
- Use only mattress which is 74"-75" long and 37.5"-38.5" wide on upper bunk.
- Ensure thickness of mattress does not exceed 9" and mattress is at least 5" below upper edge of guardrails.
- Always use the recommended size mattress or mattress support, or both, to help prevent the likelihood of entrapment or falls.
- Surface of mattress must be at least 5 inches (127 mm) below the upper edge of the guardrails.
- Periodically check and ensure that the guardrail, ladder and other components are in their proper position, free from damage, and that all connectors are tight.
- Do not allow horseplay on or under the bed and prohibit jumping on the bed.
- Always use the ladder for entering and leaving the upper bunk.
- Use of a night light may provide added safety precautions for a child using the upper bunk.
- Always use guardrails on both long sides of the upper bunk.
- Prohibit more than one person on the upper bunk.
- If the bunk bed will be placed next to a wall, the guardrail that runs the full length of the bed should be placed against the wall to prevent entrapment between the bed and the wall.
- If refinishing, use a non-toxic finish specified for children's products.
- **STRANGULATION HAZARD** – Never attach or hang items to any part of the bunk bed that are not designed for use with the bed; for example, but not limited to, hooks, belts, and jump ropes.
- The use of water or sleep flotation mattress is prohibited.


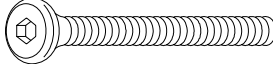



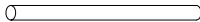
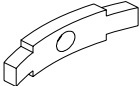
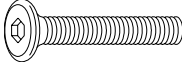

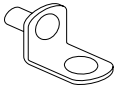
**PRE-ASSEMBLY:**

- For your safety and ease, assembly by two adults is recommended.
- Please read all instructions before beginning assembly. The illustrations provided allow for easier assembly when used in conjunction with the assembly instructions.
- Remove all parts and hardware from box and lay out on a carpeted or scratch-free work surface. The shipping box provides an ideal work surface. Do not dispose of any contents until assembly is completed to avoid accidentally discarding small parts or hardware.
- Use the parts and hardware lists to identify and separate each of the pieces included prior to starting assembly.
- Note: DO not fully tighten the bolts until all parts are in place. Failure to follow these instructions may cause the bolts to misalign during assembly.
- The use of power tools for assembly is not recommended. Power tools can damage hardware or split wood.




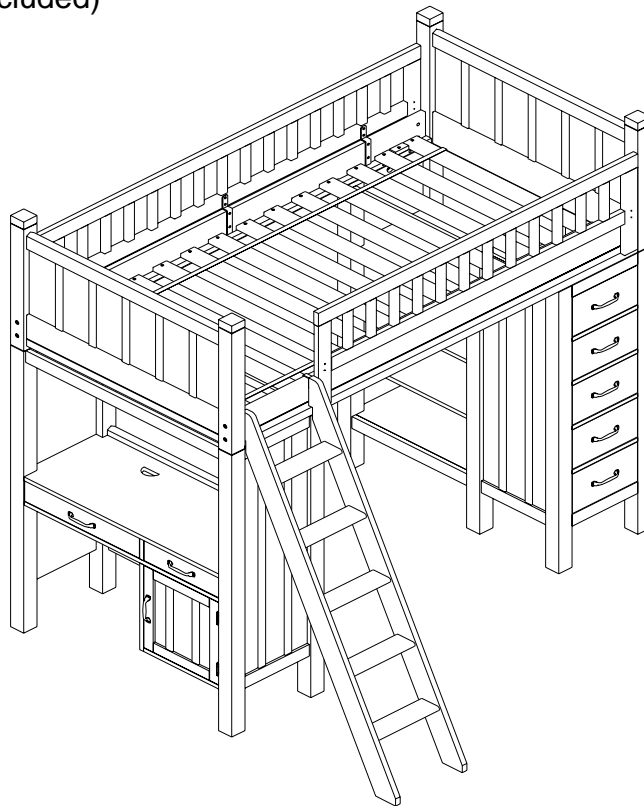
| PARTS INCLUDED:           |      |
|---------------------------|------|
| (A). End Board            | 2pcs |
| (B). Bed Side Rail        | 2pcs |
| (C). Long Guardrail       | 1pc  |
| (D). Short Guardrail      | 1pc  |
| (E). Slat Roll            | 1pc  |
| (F). Desk End             | 1pc  |
| (G). Storage End          | 1pc  |
| (H). Drawer(pre-attached) | 5pcs |
| (I). Removable Shelf      | 1pc  |
| (J). Ladder               | 1pc  |

## HARDWARE INCLUDED:

|   |  |  |
|---|--|--|
| <br>(K) Allen Key – 1pc                      | <br>(L) Long Bolt 5/16" x 110mm – 8pcs      | <br>(M) Barrel Nut – 8pcs         |
| <br>(N) Short Wood Screw<br>4 x 20mm – 12pcs | <br>(O) Long Wood Screw<br>4 x 30mm – 32pcs | <br>(P) Smooth Metal Dowel – 8pcs |
| <br>(Q) Pressure Plate – 4pcs                | <br>(R) Short Bolt 1/4"x 30mm – 4pcs        | <br>(S) Spring Washer – 4pcs      |
| <br>(T) Shelf Support Peg – 4pcs             |  |  |

## TOOLS REQUIRED:

Philips Screwdriver (Not included) 



**ASSEMBLY INSTRUCTIONS:**

1. Determine the desired location of the Camp Bunk System. Note that the system is designed to be assembled in a variety of combinations, to fit your individual room layout. The desk may also face into or out of the system. Place the Desk End unit (F) and Storage End Unit (G) in the desired locations. Adjust the Levelers on bottom of the Desk End (F) and Storage End (G) legs, if necessary.

Figure 1

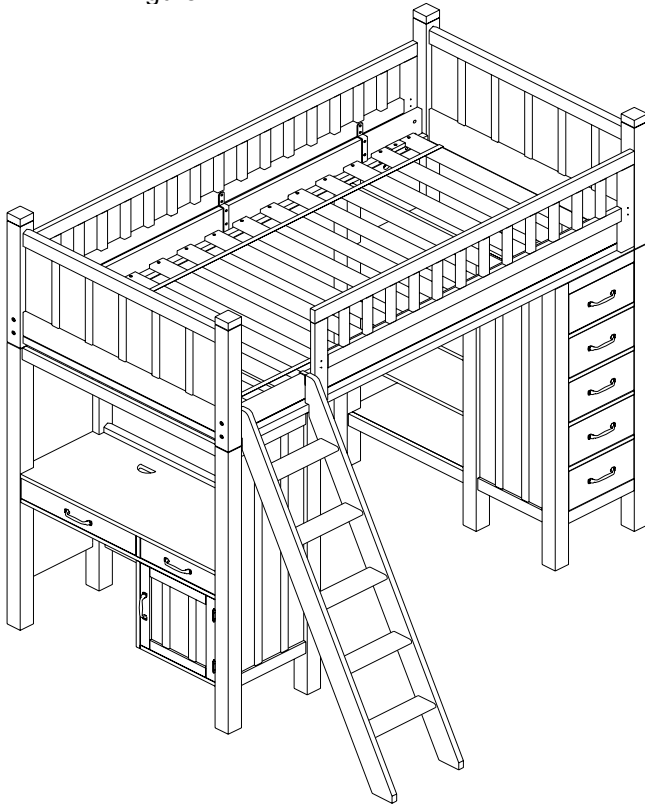
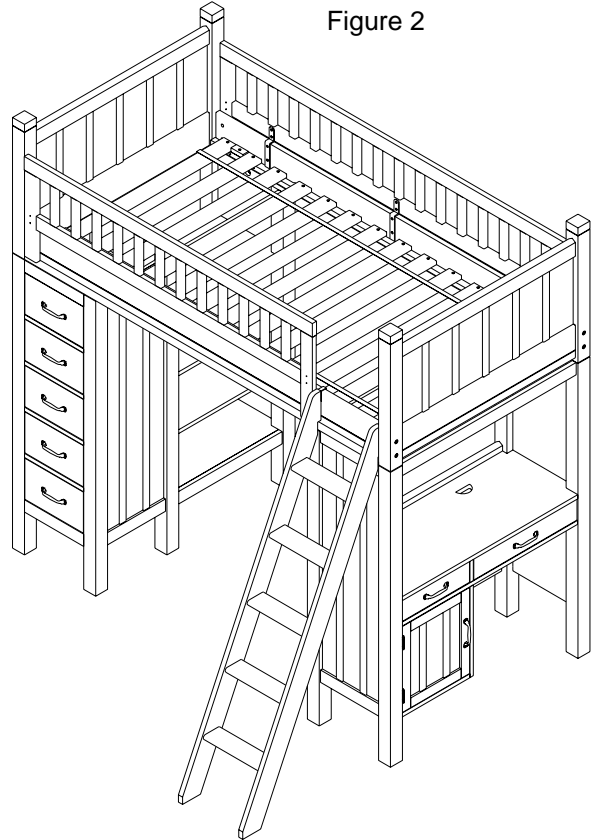
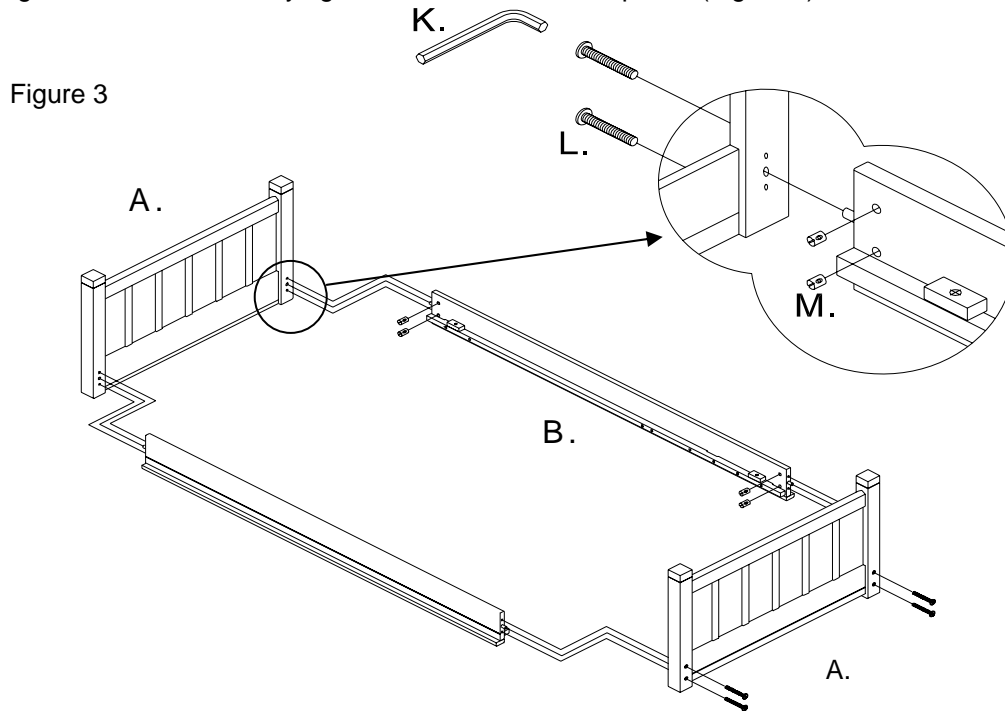


Figure 2

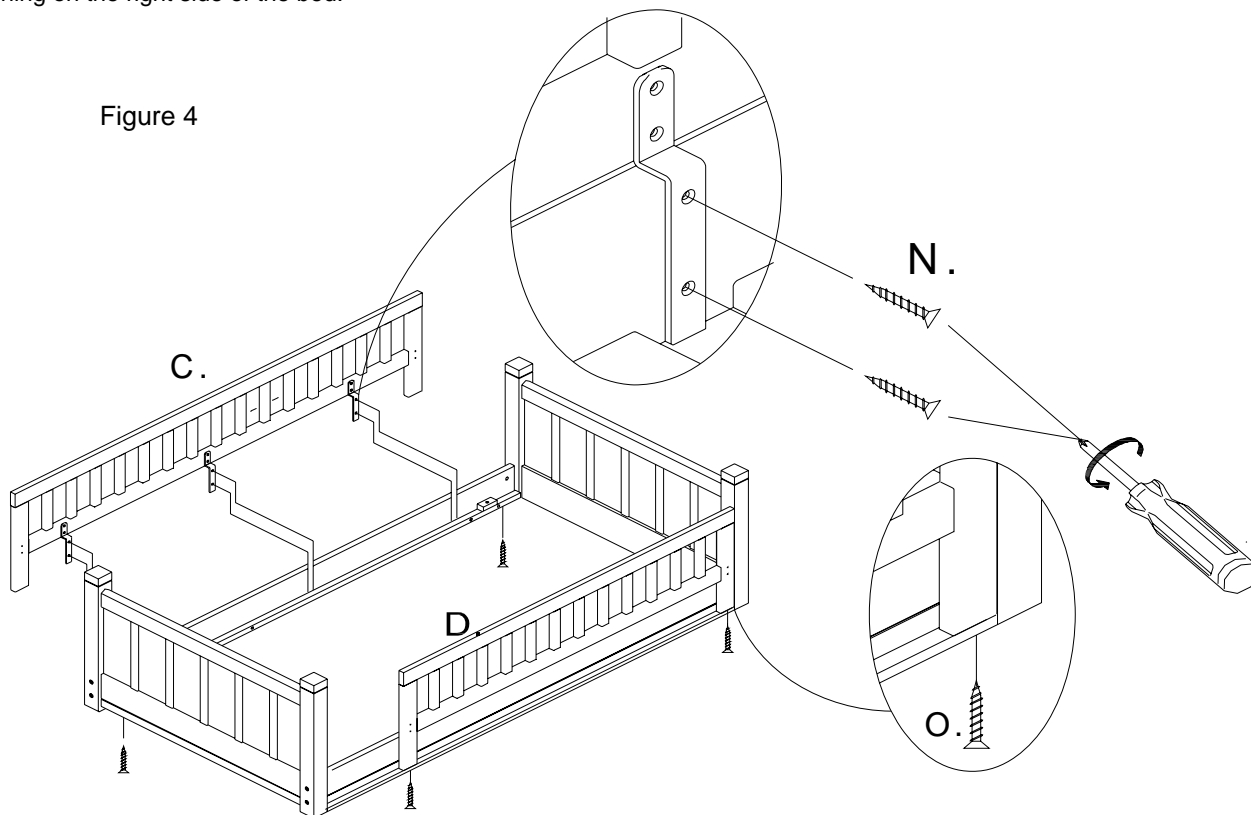


- Assemble upper bunk, by inserting (4) Long Bolts (L) into the pre-drilled holes on each End Board (A), as shown below. Place (2) Barrel Nut (M) in the corresponding openings on the Side Rail (B) and use Allen Key (K) to connect. Repeat on the remaining 3 corners. Do not fully tighten until all bolts are in place. (Figure 1).

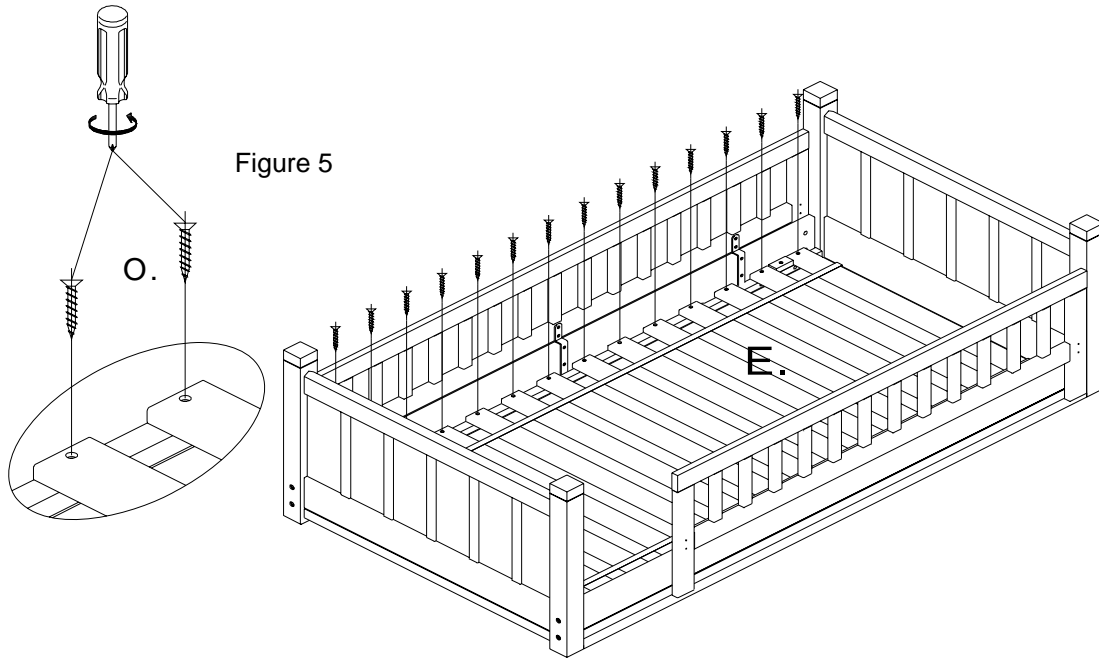


- Install Long/Short\*\* Guardrails (C&D) onto the Side Rails (B) by aligning the brackets attached to the Guardrails with the cut-outs on the Side Rails (B, as shown in Figure 2). Secure using (10) Short Wood Screws (N). Then, insert the (4) Long Wood Screws (O) through the pre-drilled holes on bottom of Side Rails and into the posts of Long/Short Guardrails (C&D).

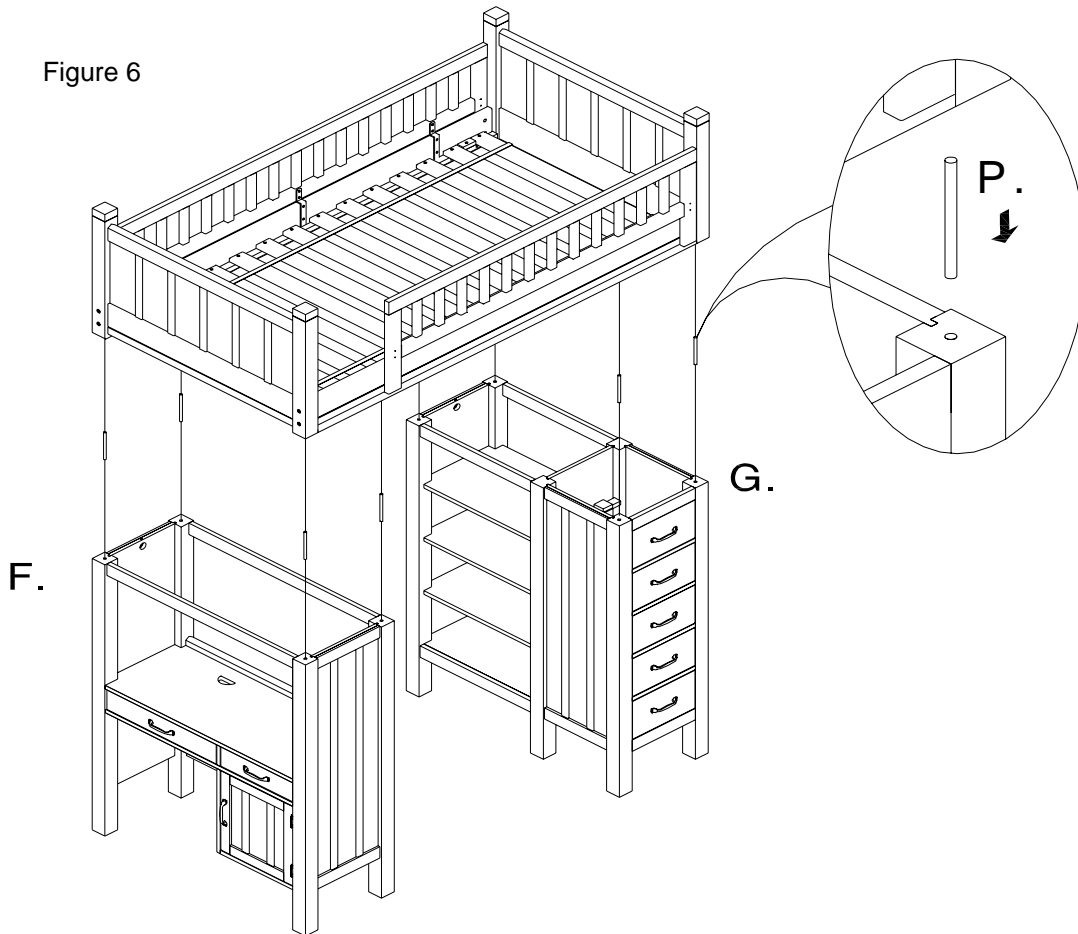
**\*\*Note the desired location of the Ladder (J).** The Ladder should be placed over the Desk Unit (F), to ensure that it will not block access to dresser drawers. If the System will be assembled with the Desk Unit (F) on the **Left** side (Figure 1 in Step 1), please assemble Short Guard Rail (D) as shown below. If Desk Unit (F) will be on **Right** side (Figure 2 in Step 1), assemble guardrail with opening on the right side of the bed.



4. Place the Slat Roll (E) between the Side Rails (B) and fasten using (28) Long Wood Screws (O), (Figure 5).

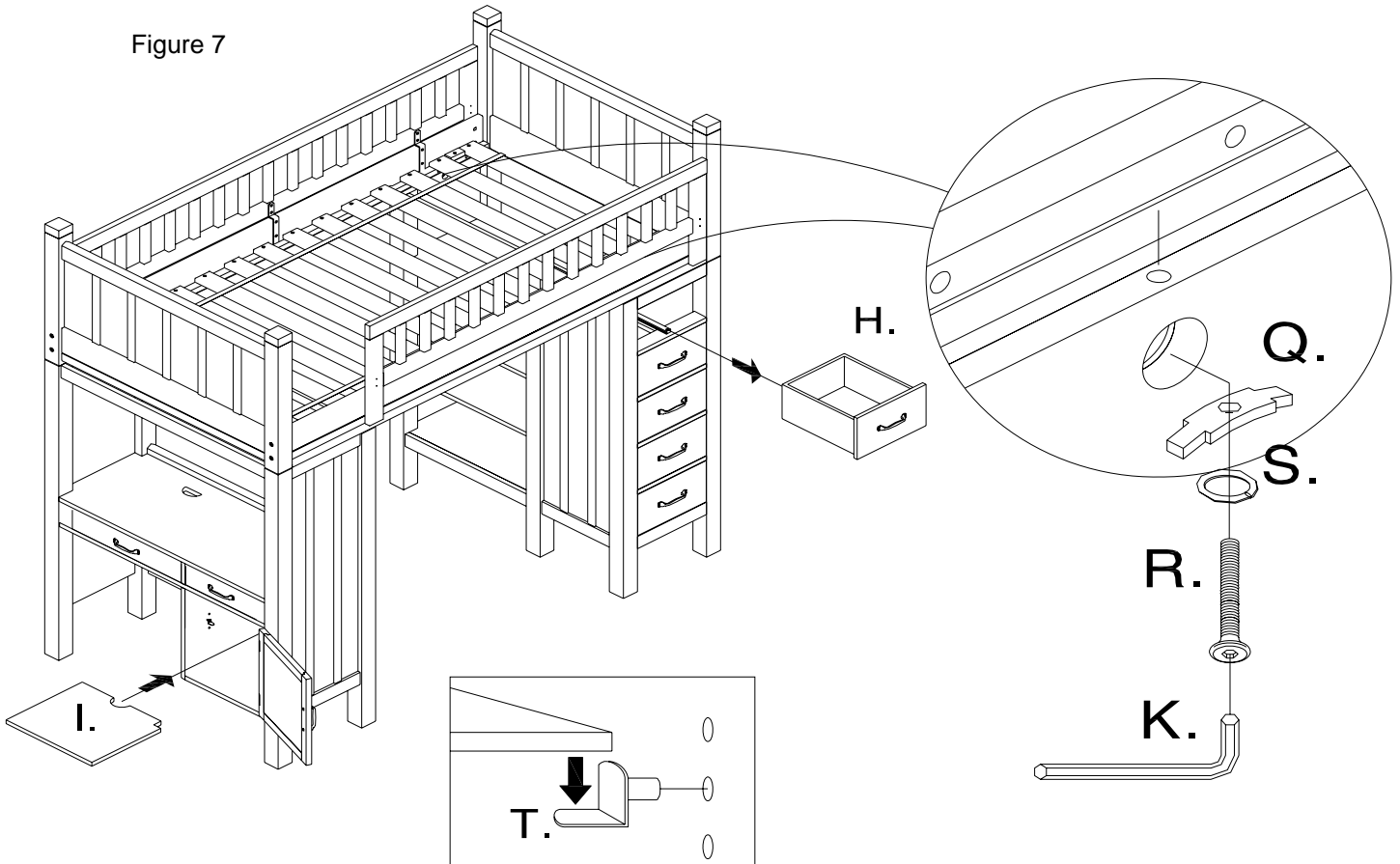


5. Insert (8) Smooth metal Dowels into the pre-drilled holes on top of the Desk End (F) and Storage End (G). Carefully lift and place the Upper Bunk on top of the Desk End (F) and Storage End (G) units by aligning the pre-drilled holes on bottom of upper bunk bed post to the Smooth Metal Dowels, (Figure 6).

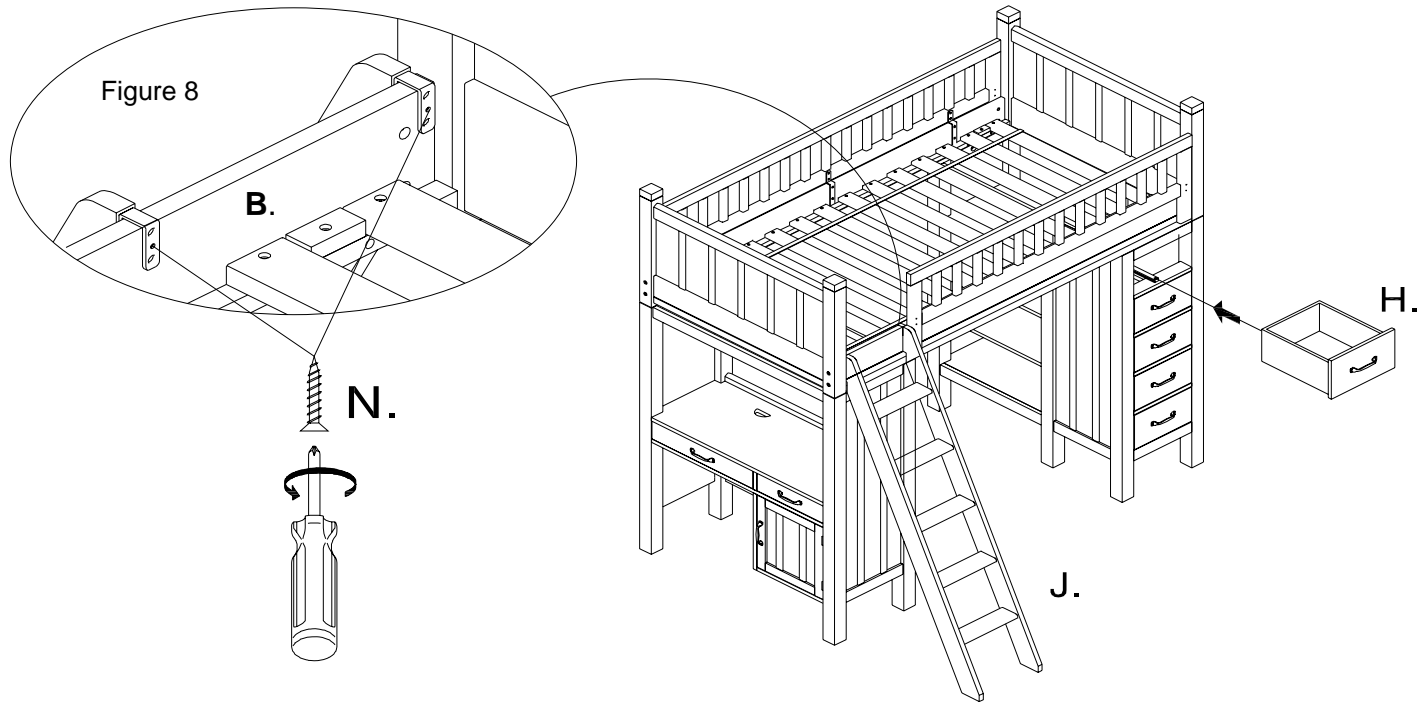


6. To fasten Upper Bunk to Storage End, remove the top Drawer (H) from the Storage Unit. Slide a Spring Washer (S) and Pressure Plate (Q) into a Short Bolt (R). Insert the Short Bolt (R) into the pre-drilled holes on top of the Storage End, and into Side Rail, as shown in Figure 7. Repeat process to secure Upper Bunk to Desk End.
7. Insert (4) Shelf Support Pegs (T) into the corresponding holes inside the desk door, at the desired height for the shelf. Place the Removable Shelf (I) on the Shelf Support Pegs (Figure 7).

Figure 7



8. Replace Drawer (H) into Storage End. Attach the Ladder (J) to the opening of the Short Guardrail. Place the brackets pre-attached on the Ladder onto the Side Rail (B) and secure with (2) Short Wood Screws (N), (Figure 8).



9. Check alignments and secure all bolts before use.

#### CARE INSTRUCTIONS:

- Dust often using a clean, soft, dry lint-free cloth.
- Blot spills immediately, and wipe with a clean, damp, cloth.
- We do not recommend the use of chemical cleansers, abrasives, or furniture polish on our lacquered finish.
- Check fasteners periodically for tightness. **DO NOT over tighten.** This may cause distortion or breakage.
- Parents should ensure a safe environment for the child by checking regularly, before placing the child in the product, that every component is properly and securely in place.

Thank you for your purchase.  
stores | catalog | [www.potterybarnkids.com](http://www.potterybarnkids.com)  
USA 1.800.290.8181