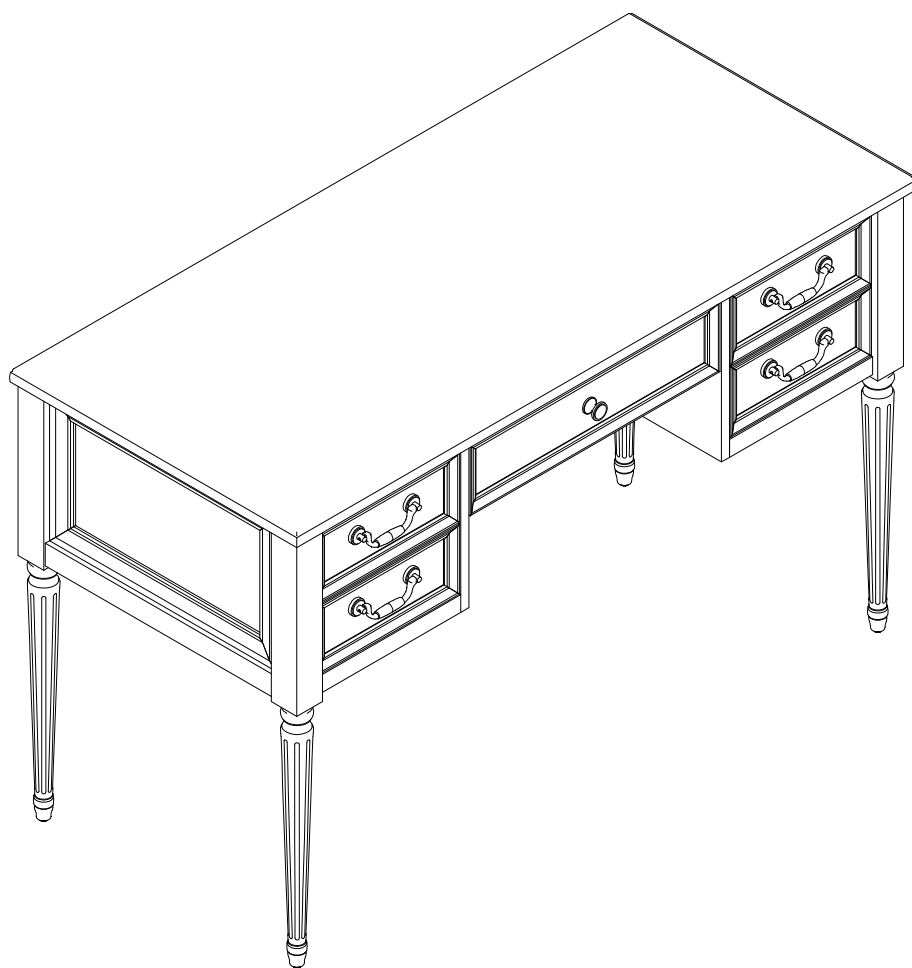


pottery barn kids

BLYTHE DESK
ASSEMBLY INSTRUCTIONS



www.potterybarnkids.com

Important Safety Instructions:

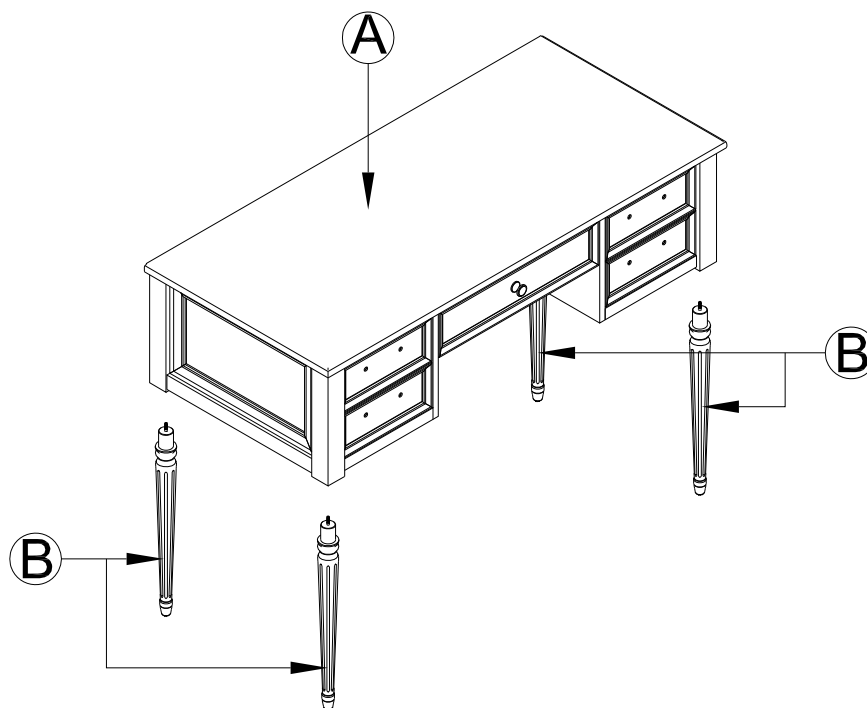
- Please read all instructions carefully before assembling this Desk.
- For your safety, assembly by two or more adults is strongly recommended.
- Keep these instructions for future use.
- Use only vendor-supplied hardware to assemble this item. Using unauthorized hardware could jeopardize the structural integrity of the item.

Pre-assembly:

- Remove all parts and hardware from the box. Place all items on a carpeted or scratch-free work surface, as this will avoid damaging parts during assembly. The shipping box provides an ideal work surface.
- To avoid accidentally discarding small parts or hardware, do not dispose of any packaging or contents of the shipping carton until assembly is complete.
- Use the parts and hardware lists below to identify and separate each of the pieces included.
- The illustrations provided allow for easier assembly when used in conjunction with the assembly instructions.
- The use of power tools to aid in assembly is not recommended. Power tools can damage the hardware and split the wood.

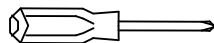
Parts Included:

- (A) Top with Drawers (x1)
- (B) Legs (x4)



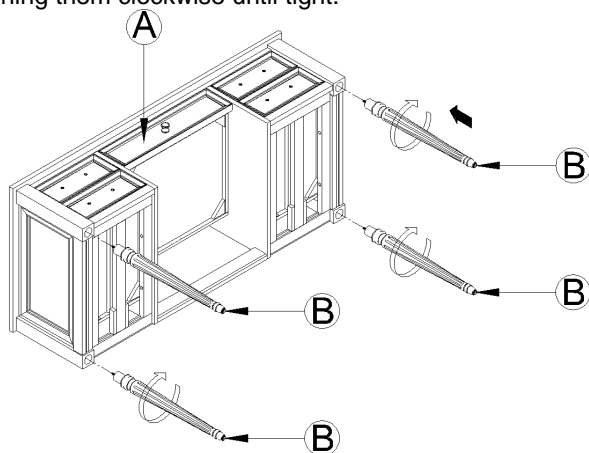
Tools Required:

Phillips Head Screwdriver (not included)

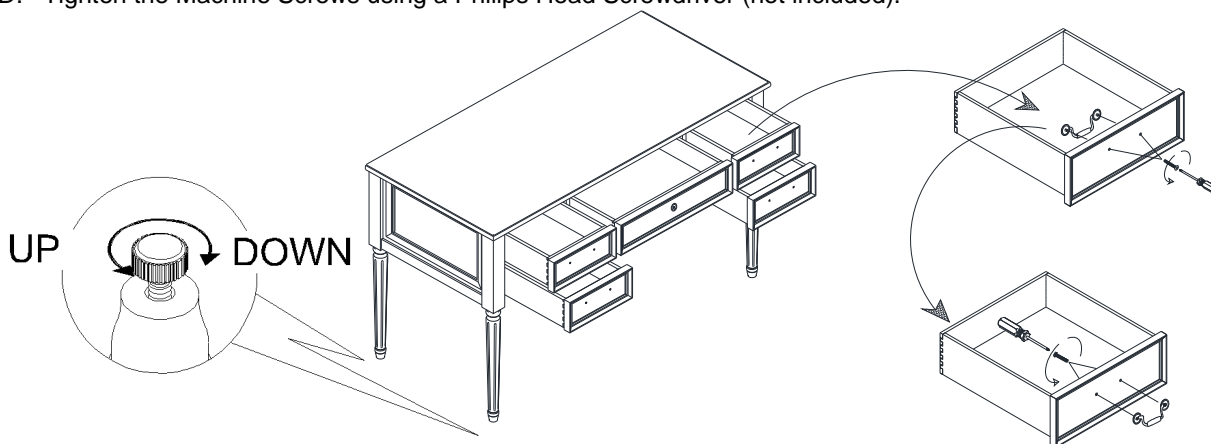


Assembly Instruction Steps:

1. Place the Top with Drawers (A) down on a soft, scratch-free surface such as a rug or carpet, as seen in the illustration below.
2. Attach the 4 Legs (B) into the cut-outs located on the bottom posts of the Top with Drawers (A), as seen in the illustration below.
3. Secure the Legs (B) by turning them clockwise until tight.



4. Carefully, turn the assembled desk upright.
5. Adjust the levelers on the bottom of the legs (either up or down) to keep the desk level, as seen in the illustration below.
6. To assemble the Knobs to the Drawers, follow these below steps:
 - A. Remove the Knobs from the inside of the Drawer Boxes, by unscrewing the Machine Screws found on Drawer Front, as seen below.
 - B. Place the Knobs over the pre-drilled holes on the Drawer Front, as seen in the illustration below.
 - C. Insert the original Machine Screws through the holes from the inside of the Drawer Box and into the Knobs.
 - D. Tighten the Machine Screws using a Philips Head Screwdriver (not included).



7. **NOTE:** Installation of the Anti Tip Kit is **REQUIRED**. Please follow the separate instructions to secure the Desk to the wall- using the tipping-restraint kit included.

Care Instructions:

- Dust often using a clean, soft, dry, and lint-free cloth.
- Blot spills immediately and wipe with a clean, damp cloth.
- We do not recommend the use of chemical cleansers, abrasives, or furniture polish on our lacquered finish.
- Hardware may loosen over time. Periodically check to make sure all connections are tight. Re-tighten if necessary.

Thank you for your purchase
Stores | catalog | www.potterybarnkids.com
USA 1.800.290.8181