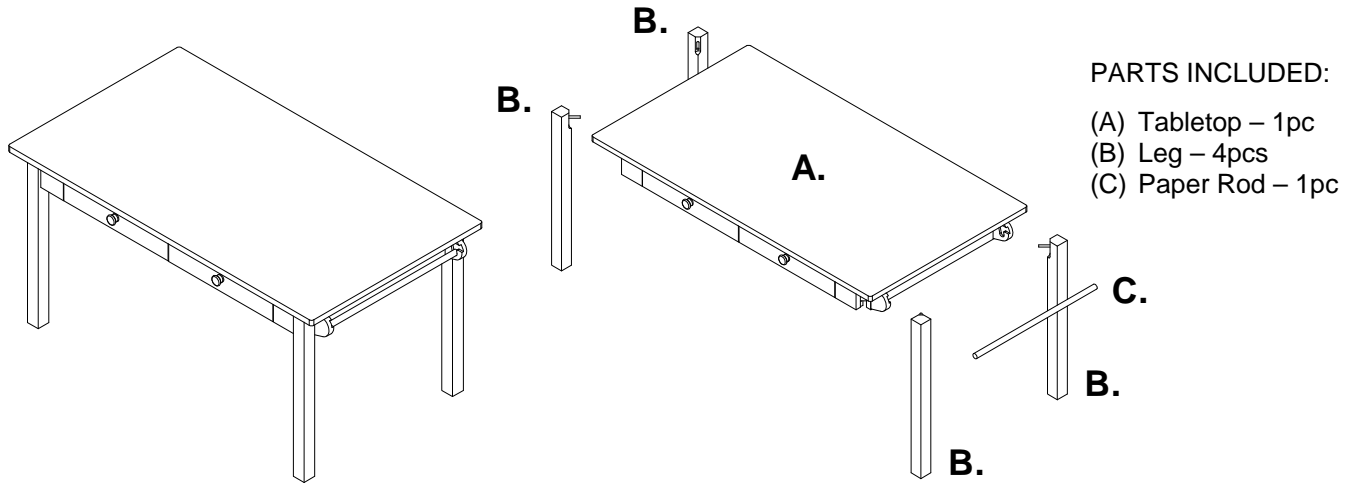


# pottery barn kids

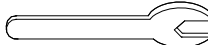
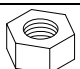


## Carolina Grow With You Craft Table

**PRE-ASSEMBLY:**

- Please read all instructions before beginning assembly.
- For your safety and ease, assembly by two adults is recommended.
- Remove all parts and hardware from box and lay out on a carpeted or scratch-free work surface, as this will avoid damaging any parts during assembly. The shipping box provides an ideal work surface.
- Do not dispose of any contents until assembly is completed to avoid accidentally discarding small parts or hardware.
- Use the parts and hardware lists to identify and separate each of the pieces included.
- Note: Do not fully tighten all bolts until all parts are in place. Failure to follow these instructions may cause the bolts to misalign during assembly.
- The use of power tools for assembly is not recommended. Power tools can damage hardware or split wood.

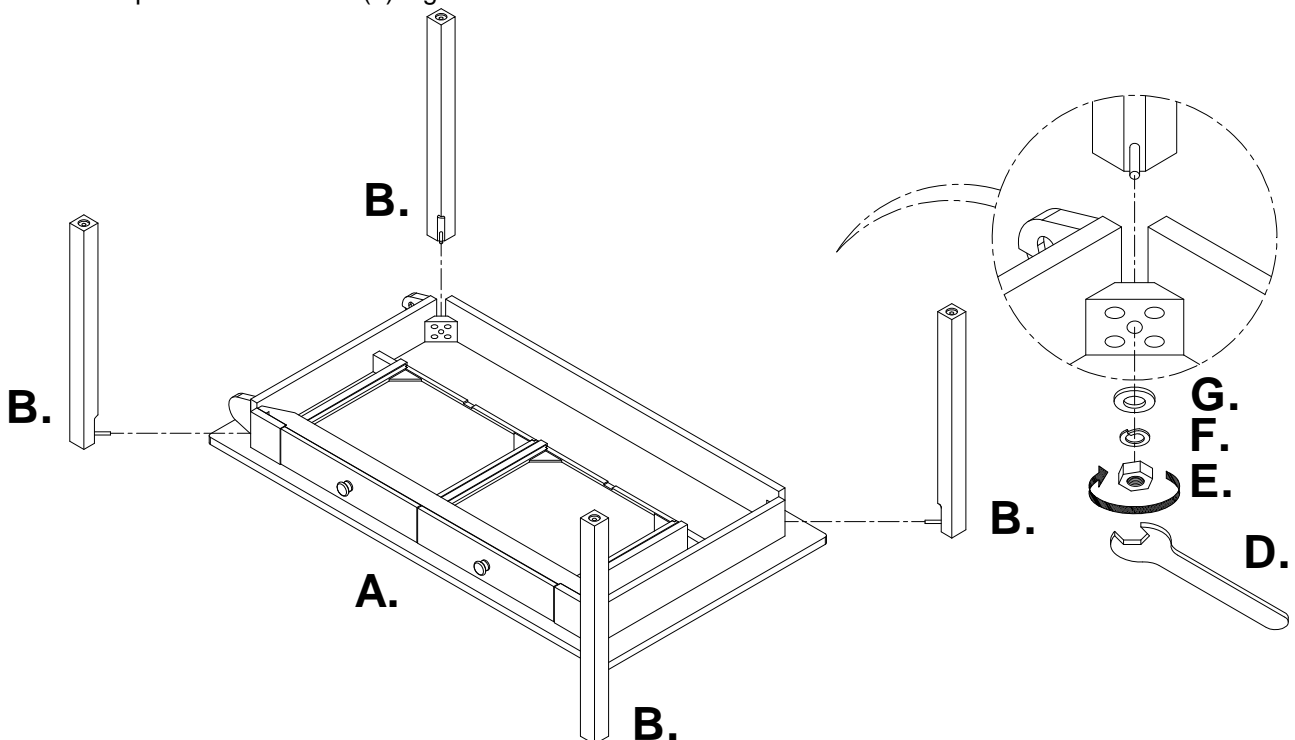


**HARDWARE INCLUDED:**

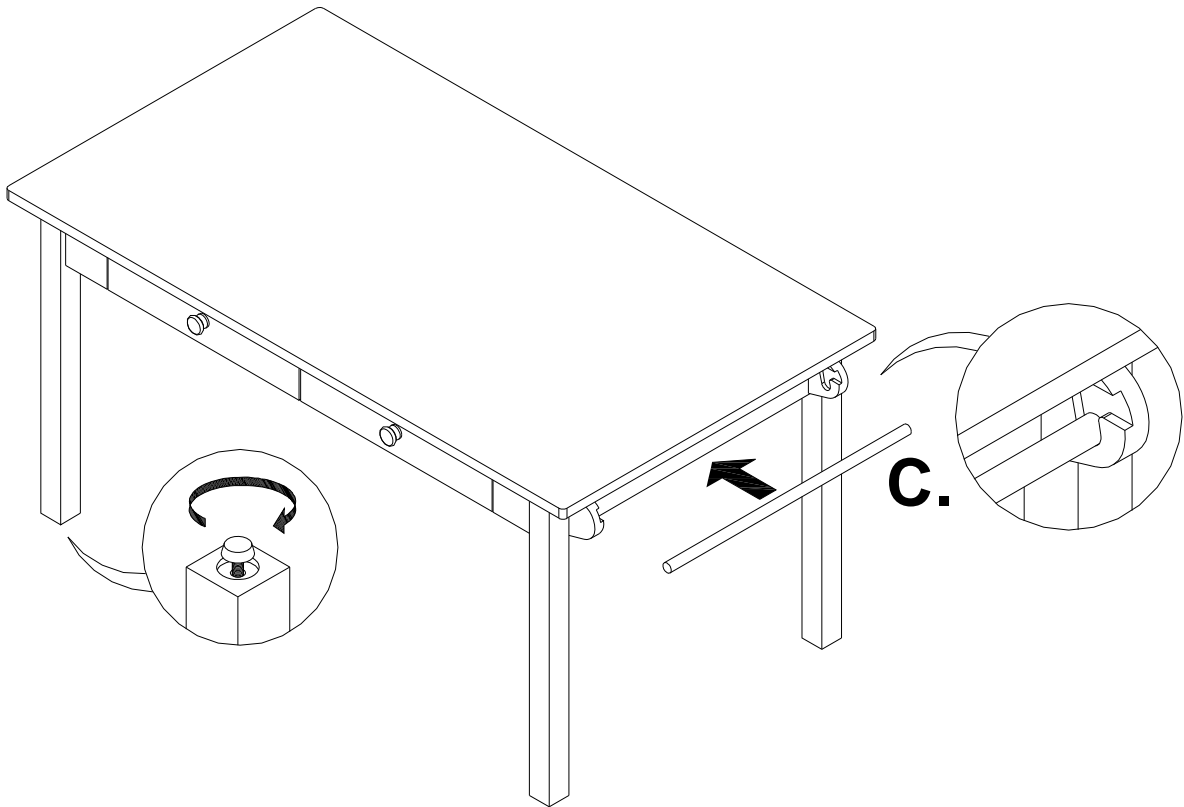
			
(D) Wrench – 1pc	(E) Nut 5/16" – 4pcs	(F) Spring Washer – 4pcs	(G) Flat Washer – 4pcs

**ASSEMBLY INSTRUCTIONS:**

1. Place Tabletop (A) upside down on a soft, scratch free surface. Attach a Leg (B) to one corner and secure it with a Flat Washer (G), Spring Washer (F) and Nut (E) onto each hanger bolt from the other end as shown below. Repeat with the other (3) legs.



- Turn the assembled table in upright position. Place the Paper Rod (C) into cut-outs of the wooden blocks on the right side. NOTE: Paper Roll is not included.



- Adjust levelers on bottom of legs to keep table level when needed.

#### CARE INSTRUCTIONS:

- Dust often using a clean, soft, dry lint-free cloth.
- Blot spills immediately, and wipe with a clean, damp, cloth.
- We do not recommend the use of chemical cleansers, abrasives or furniture polish.

Thank you for your purchase.  
stores | catalog | [www.potterybarnkids.com](http://www.potterybarnkids.com)  
USA 1.800.290.8181