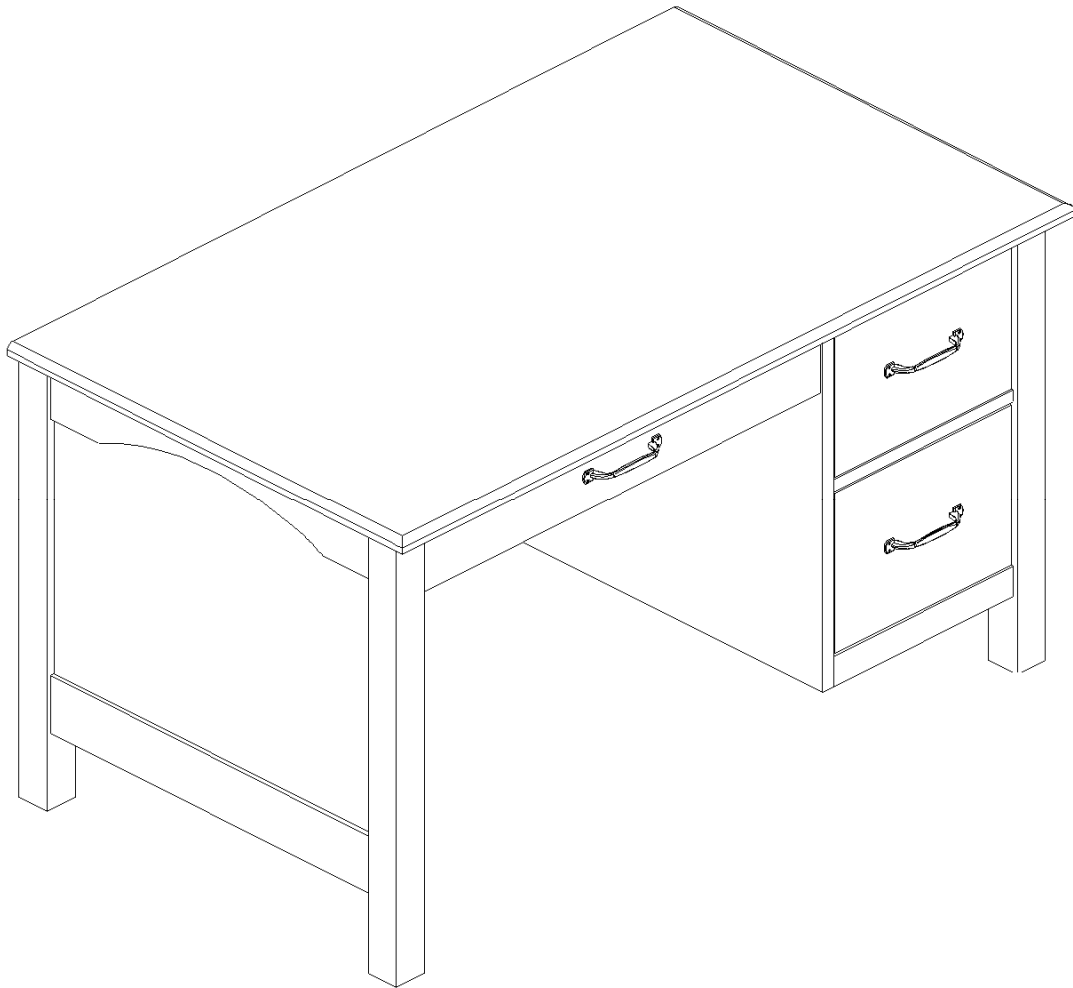


pottery barn kids



KENDALL STORAGE DESK

www.potterybarnkids.com

Important Safety Instructions:

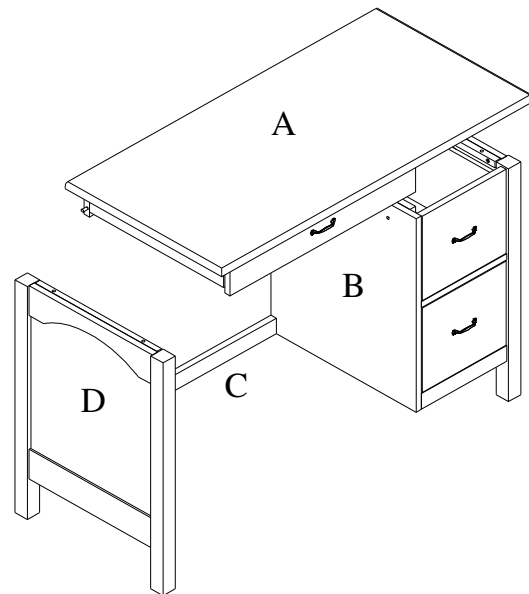
- Please read all instructions carefully before assembling this Desk.
- For your safety, assembly by two or more adults is strongly recommended.
- Keep these instructions for future use.
- Use only vendor-supplied hardware to assemble this item. Using unauthorized hardware could jeopardize the structural integrity of the item.

Pre-assembly:


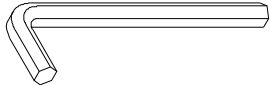
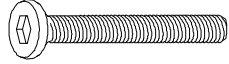
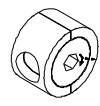

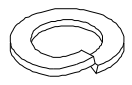
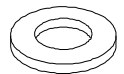
- Remove all parts and hardware from the box. Place all items on a carpeted or scratch-free work surface, as this will avoid damaging parts during assembly. The shipping box provides an ideal work surface.
- To avoid accidentally discarding small parts or hardware, do not dispose of any packaging or contents of the shipping carton until assembly is complete,
- Use the parts and hardware lists below to identify and separate each of the pieces included.
- The illustrations provided allow for easier assembly when used in conjunction with the assembly instructions.
- The use of power tools to aid in assembly is not recommended. Power tools can damage the hardware and split the wood.

Parts Included:

- (A) Desktop (1x)
- (B) Pedestal (1x)
- (C) Back Rail (1x)
- (D) Left End Panel (1x)



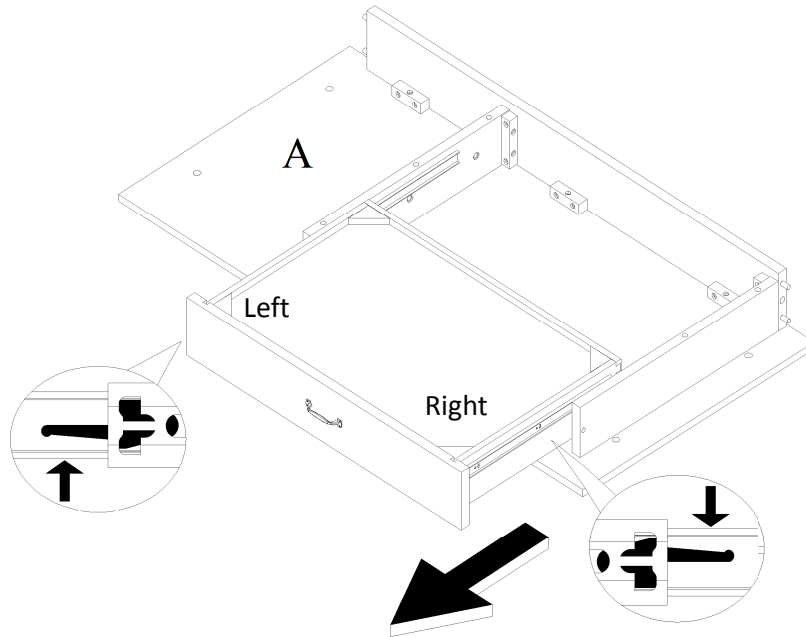
Hardware Included:

 (E) Allen Key 4mm – 1x	 (F) Allen Key 6mm – 1x	 (G) Allen Bolt 1/4" x 32mm – 10x
 (H) Cam – 4x.	 (I) Cam Screw – 4x	 (J) Spring Washer – 10x
 (K) Flat Washer – 10x		

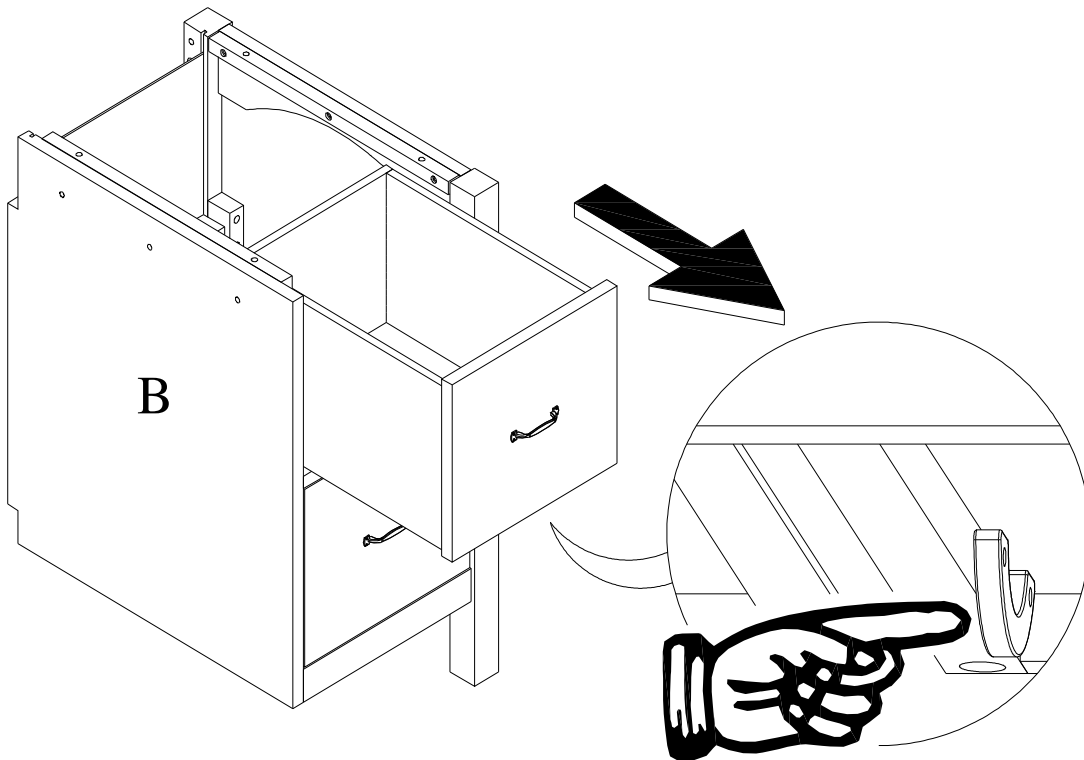
Tools Required: Philips Head Screwdriver  (Not included)

Assembly Instruction Steps:


1. Remove the drawer from the Desk Top (A) and set aside, as shown below.
 - Open the Drawer to its maximum opening
 - Lift up the left trigger and press down the right trigger on the drawer sides
 - During assembly, the drawer can be removed by releasing the triggers and pulling out the drawer **AT THE SAME TIME**

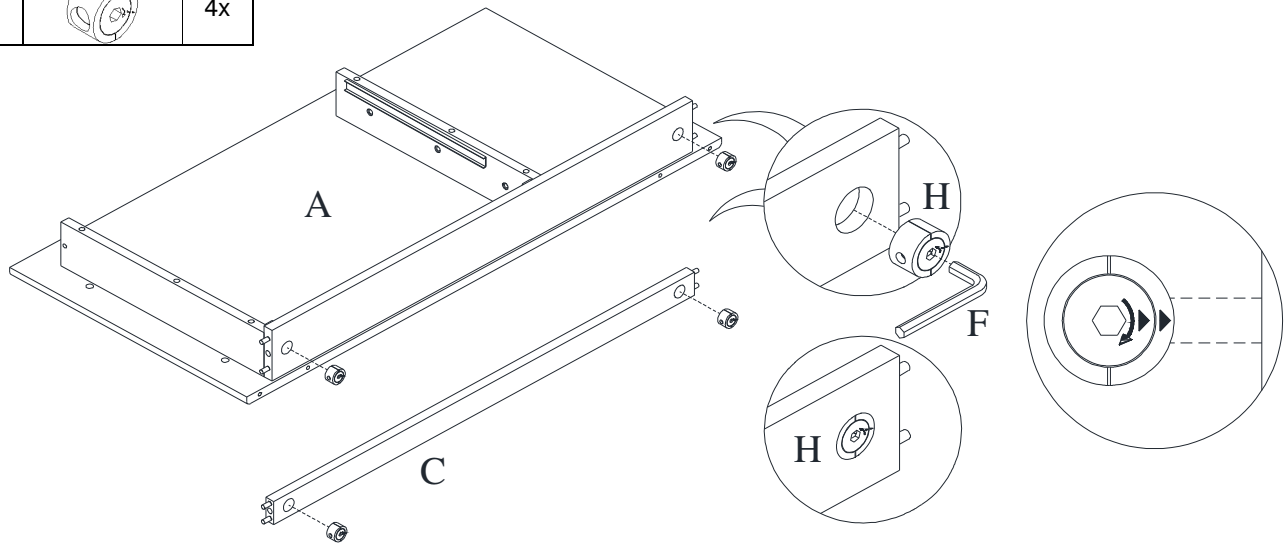


2. Remove the 2 drawers from the Pedestal (B) and set aside as shown below.
 - Open the Drawers to its maximum opening
 - Each drawer is equipped with 1 rubber stopper that prevents the drawer from being removed during normal operation
 - During assembly, the drawer can be removed with minor force as the rubber stoppers will bend to allow the drawer to be removed
 - When removing the drawer, it **MUST** be removed at a straight angle – if it is crooked, the drawer will stick on the wooden runners

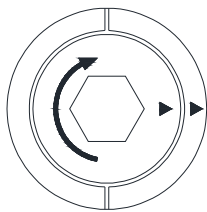


3. Insert 4 Cams (H) into the pre-drilled holes, located on the rear frame of Desktop (A) and Back Rail (C), as seen below.
4. Make sure that the arrow marks on the Cams (H) point toward to the end of the rear frame, as shown below.

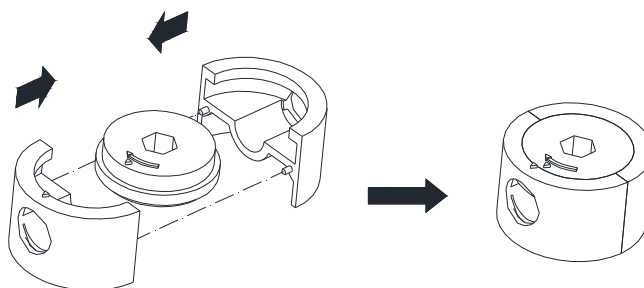
H		4x
---	---	----




Note: Prior to inserting the Cam into the countersunk, align the outer arrow on the Cam with the inner arrow at the center of the Cam, as seen below.

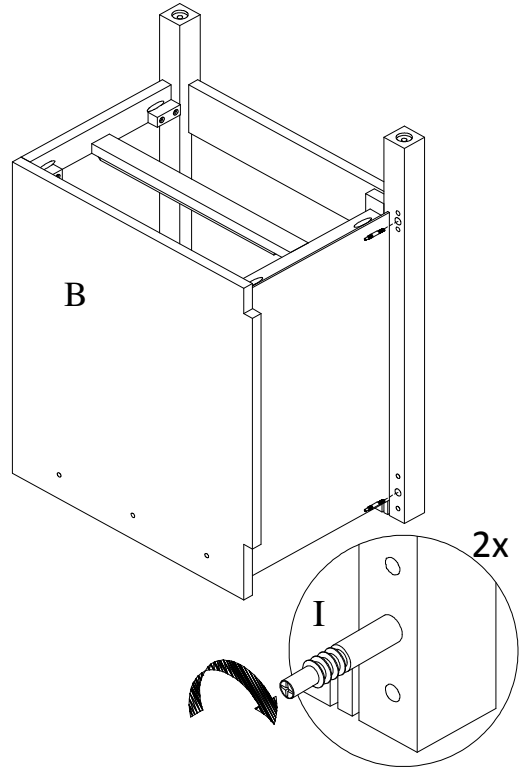
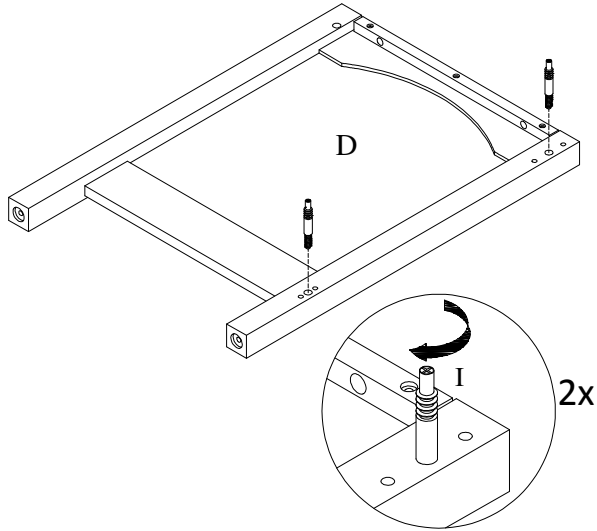


The cam may become disassembled during shipping. If you find it disassembled, please re-assemble, as shown in the illustration below.






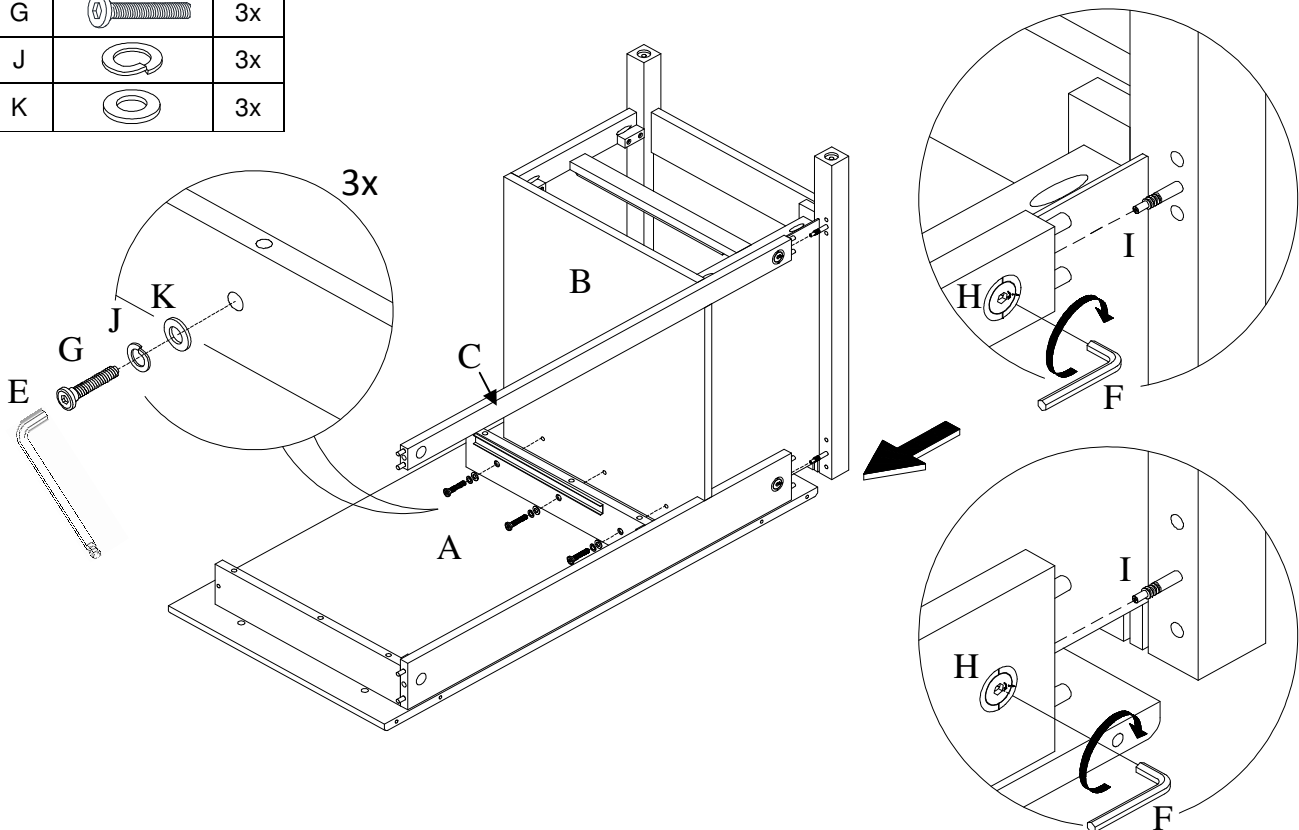
5. Attach the 4 Cam Screws (I) to the Pedestal (B) and Left End Panel (D) by using Phillips Head Screwdriver (Not included), as shown below. **Do not over tighten.**

I		4x
---	---	----






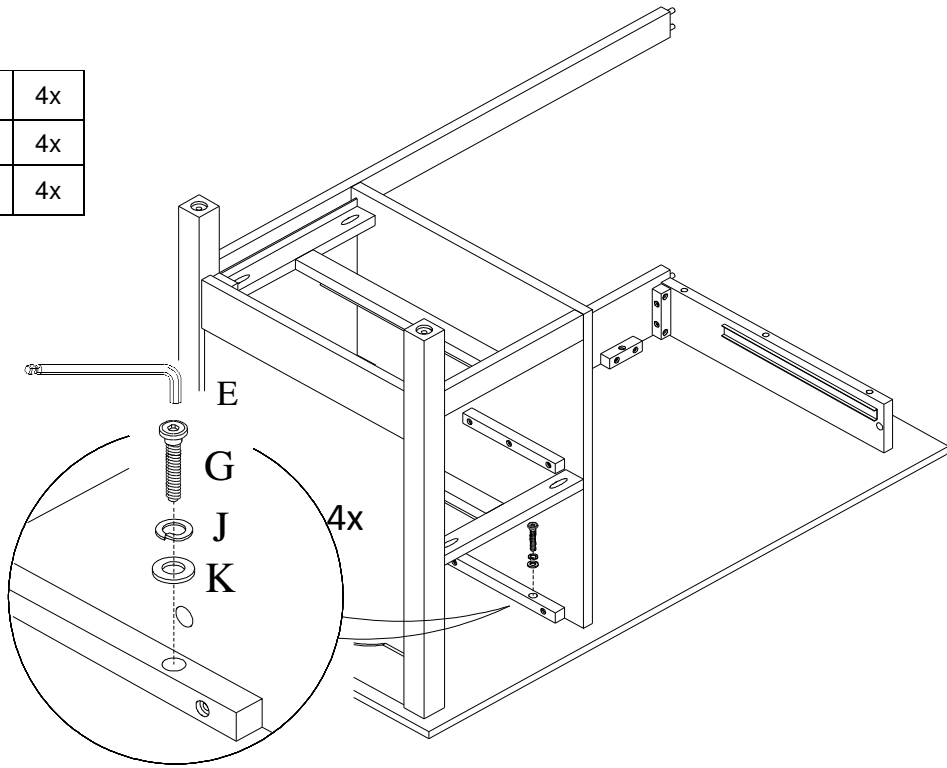
- Attach (B) to (A)&(C) by aligning the Cam Screws (I) to the Cams (H), as seen in illustration below.
- Tighten the Cam (H) securely with the supplied Allen Key 6mm (F). **Do not fully tighten.**
- Tighten the bolts securely with the supplied Allen Key 4mm (E), as shown below. **Do not fully tighten.**

G		3x
J		3x
K		3x

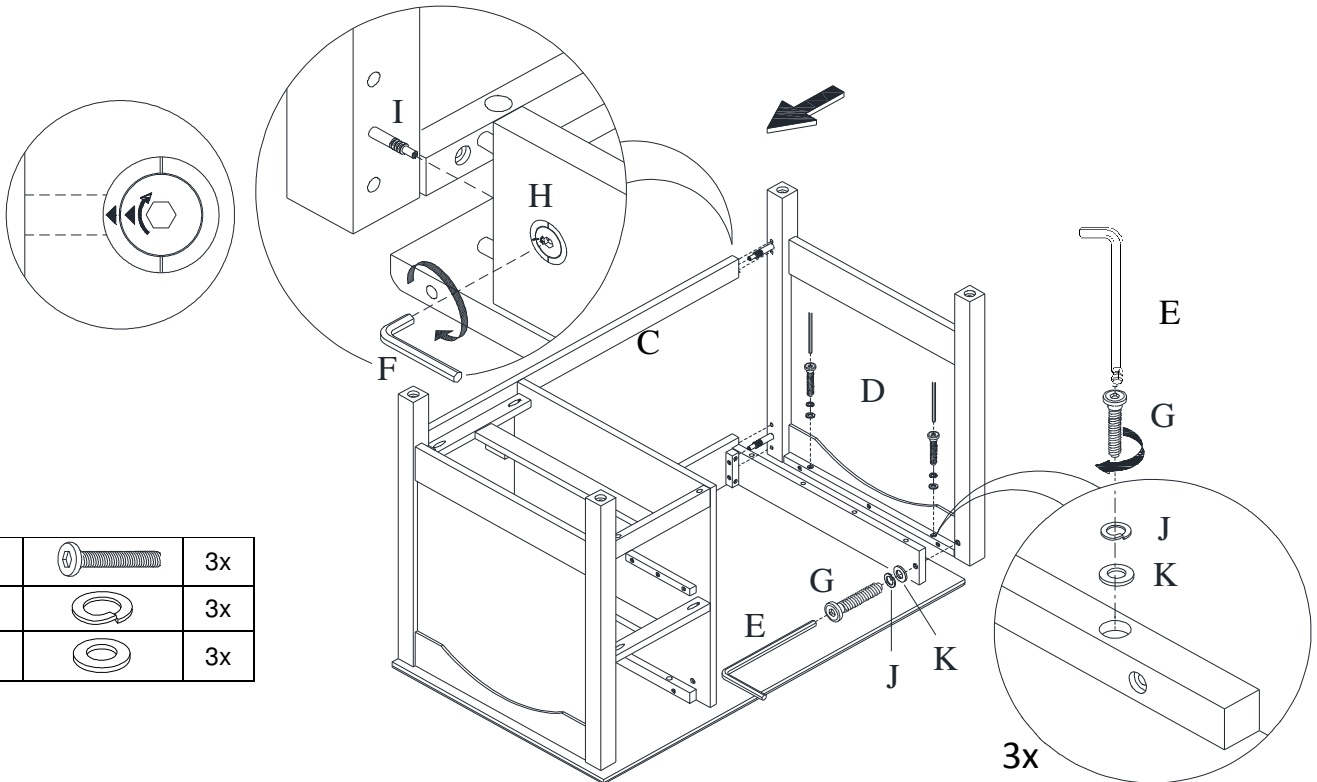





9. Tighten the bolts securely with the supplied Allen Key 4mm (E), as shown below. **Do not fully tighten.**

G		4x
J		4x
K		4x



10. Attach (D) to (A&C) by aligning the Cam Screws (I) to the Cam (H), as seen in illustration below.
11. Tighten the Cam (H) securely with the supplied Allen Key 6mm (F), as shown below. **Do not fully tighten.**
12. Tighten the bolts securely with the supplied Allen Key 4mm (E) as shown below. **Do not fully tighten**
13. Check alignments before tightening the bolts. **Do not over tighten.**

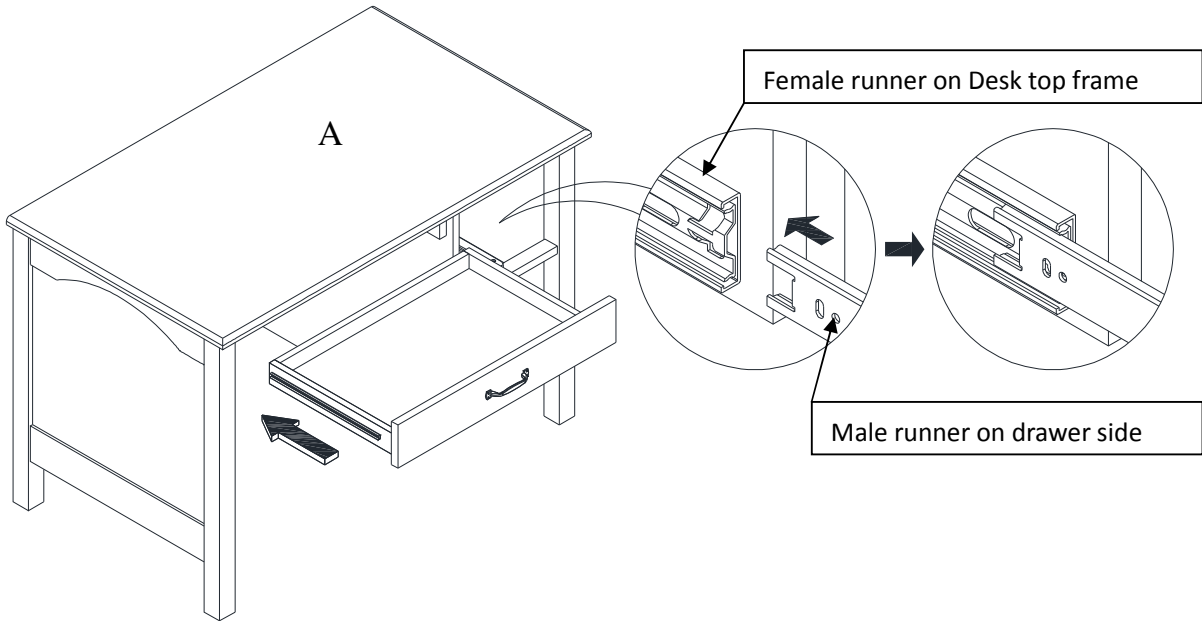


G		3x
J		3x
K		3x

14. Carefully turn the assembled desk upright.

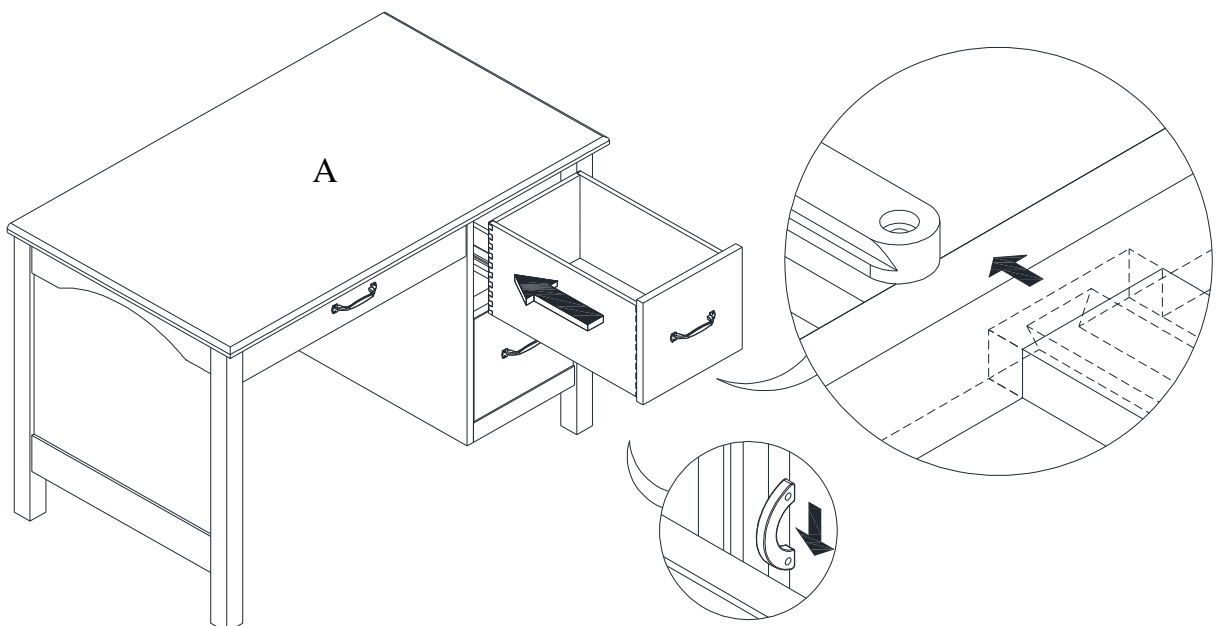
15. Put the drawer back into the desktop.

- Let both the ball bearing slides be front of the slide.
- Align the **Male** runner on the drawer sides to the **FEMALE** runner on the desk top frame (A) and slowly push the drawer into the desk top frame
- Pull and push a couple times to make sure it is correctly installed
- Make sure to check proper assembly by slowly pulling in and out the drawer all the way

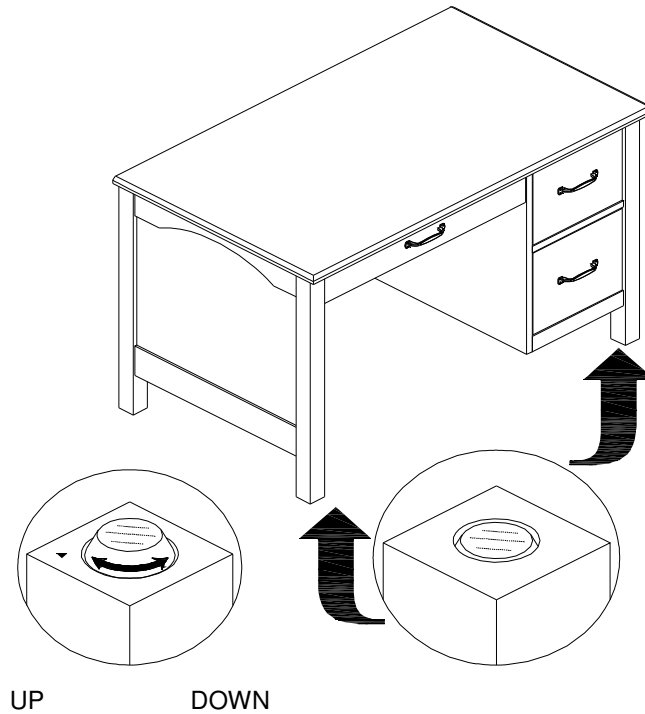


16. Put the 2 drawers back into the Pedestal (B).

- Insert the drawer back to the Pedestal (B) by aligning the female runner and male runner as shown below
- Bend the plastic stopper a bit before push drawer all the way in
- This will require some force to get the drawer back into the Pedestal



17. Adjust the levelers located on the bottom of the legs (up or down) to keep the desk level when needed.



Care Instructions:

- Dust often using a clean, soft, dry, and lint-free cloth.
- Blot spills immediately and wipe with a clean, damp cloth.
- We do not recommend the use of chemical cleansers, abrasives, or furniture polish on our lacquered finish.
- Hardware may loosen over time. Periodically check to make sure all connections are tight. Re-tighten if necessary.

Thank you for your purchase
Stores | catalog | www.potterybarnkids.com
USA 1.800.290.8181

pottery barn kids

FURNITURE TIPPING RESTRAINT

WARNING: This product is only a deterrent. It is not a substitute for proper adult supervision. Manufacturer assumes no liability for improper installation or excessive loads placed on screws, brackets or straps.

Young children may be injured by tipping furniture and the use of a tipping restraint is highly recommended.

When properly installed, this restraint will provide protection against tipping of furniture. This tipping restraint **MUST** be secured to a wall-stud or wall structure of similar strength.

Hardware included: (2) Brackets (1) Nylon Strap
(2) Long Stud Mounting Screws (2) Short Furniture-Side Mounting Screws

Note: For safe mounting it is essential to use the proper hardware for your wall type. The included hardware is for drywall or stud mounting only. For other wall types (e.g., plaster, concrete and brick) please consult your local hardware store for fastener advice.

To install:

1) LOCATING THE STUDS: Use a stud finder to locate the vertical wooden studs within your wall located behind the final position of the furniture item. Mark the stud locations with a light pencil-mark.

2) MOUNTING THE FURNITURE-SIDE BRACKET: Move the furniture item close to the wall to its final position. Use pieces of tape or a pencil to transcribe the stud locations of the wall onto the furniture item. Move the furniture item again so you can access its back and use the marks to locate a suitable mounting point for the furniture-side bracket. Make sure that the bracket is secured to a firm portion of the furniture frame and as high as possible. Remember: The furniture-side bracket must be positioned near a wall stud. Using a pencil, and the bracket as a guide, mark "screw marks" on the furniture item through the bracket holes.

Use a 3/32" drill bit to drill pilot holes into the furniture item at the "screw marks". Use the TWO Short screws to secure the furniture-side bracket. This bracket can be positioned either vertically or horizontal as necessary (See Figure 1).

3) MOUNTING THE WALL-SIDE BRACKET: Position the wall-side bracket along the selected stud mark so that it will be adjacent the furniture-side bracket when the furniture item is moved to its final position. The wall-side bracket should be about ONE inch lower than the furniture-side bracket (See Figure 3). Use the TWO Long screws to secure the wall-side bracket to the wall. Remember to position the wall-side bracket vertically so that both screws will engage the selected wall stud (See Figure 2).

4) ATTACHING THE STRAP: When both brackets are securely attached, move the furniture to its final desired position and thread the strap through the openings of each bracket and also through the ratcheting "buckle". Tighten the strap until several "clicks" are heard. The furniture item is now securely tethered to the wall.

Note: If you must move the furniture item, you can release the strap by depressing the lever arm located at its buckle and simultaneously withdrawing the strap from the buckle. Make sure to reconnect the strap once the furniture item is returned to its previous position.

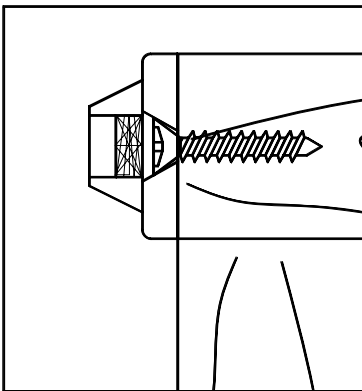


Figure 1

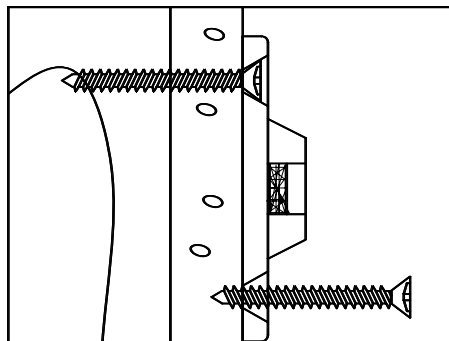


Figure 2

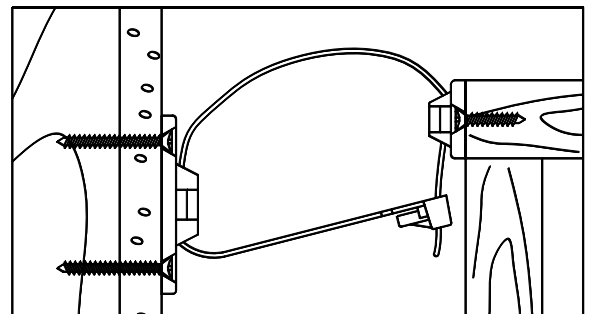


Figure 3