

# pottery barn kids

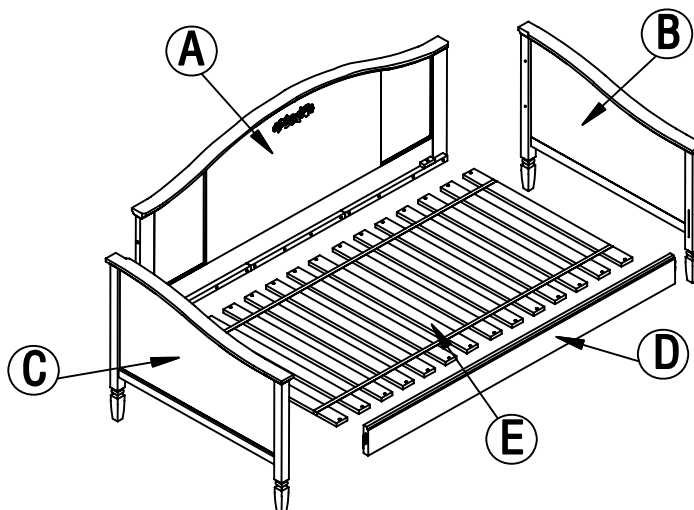
## MADELINE DAYBED

### PRE-ASSEMBLY:

- Remove all parts and hardware from the box and lay out on a clean carpeted or scratch-free work surface (The shipping box provides an ideal work surface). This will avoid damaging any parts during assembly. Do not dispose of any contents until assembly is completed to avoid accidentally discarding small parts or hardware.
- Two people recommended for ease of assembly.
- Use the parts and hardware lists to identify and separate each of the pieces included prior to starting assembly.
- The illustrations provided allow for easier assembly when used in conjunction with the assembly instructions.
- Note: Do not fully tighten all bolts until all parts are in place. Failure to follow these instructions may cause the bolts to misalign during assembly.
- If using power tools to aid in assembly please use caution. Power tools can damage hardware or split wood.
- **The images in these instructions may depict the product ordered with a floral appliqué. If you ordered the product without the floral appliqué, please disregard that depiction and assemble as instructed.**

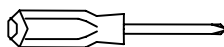
### PARTS INCLUDED:

- A – Rear panel (x1)
- B – Right panel (x1)
- C – Left panel (x1)
- D – Front rail (x1)
- E – Slat roll (x1)

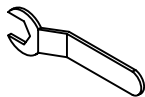


### TOOLS REQUIRED:

Phillips head screwdriver (not included)

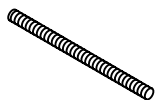


(G) Wrench (x1)



### HARDWARE INCLUDED:

F – Long bolt (x4)



H – Metal washer (x4)



I – Spring washer 5/16"x13mm (x4)



J – Lock washer (x4)

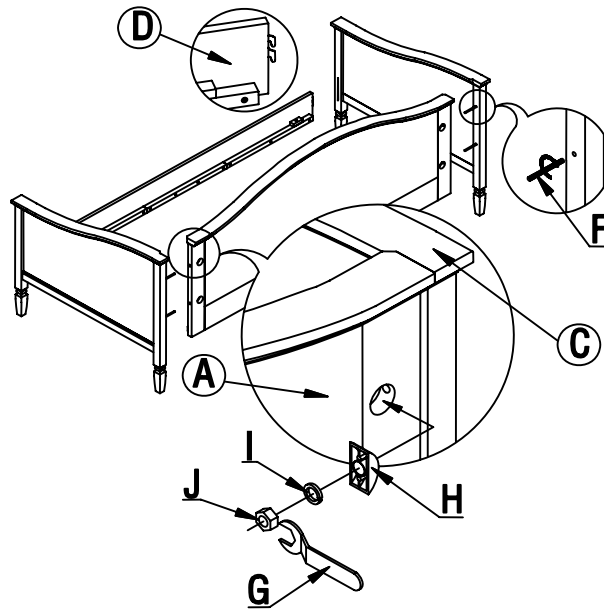


K – Large Phillips head screw (x28)

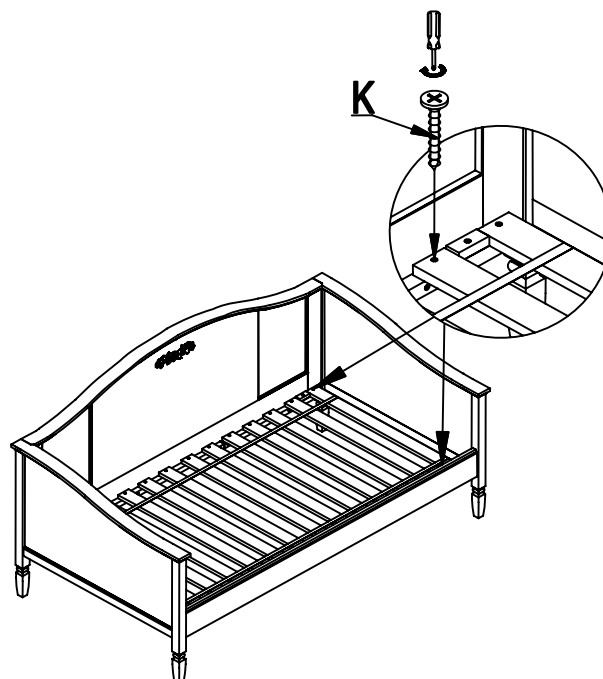


ASSEMBLY:

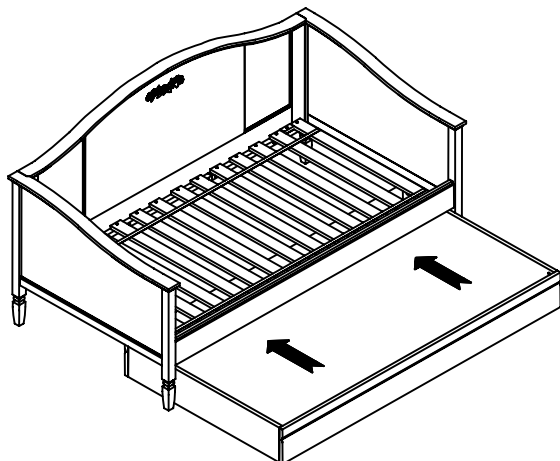
1. Hold Front rail (D) and Rear panel (A) up to slots on the legs of the Right side panel (B). Insert the Front rail (D) and Rear panel (A) to the Right side panel (B) using the long bolts (F). Fasten them using the metal washer (H), spring washer 5/16"x13mm (I), Lock washer (J) as shown below. Repeat the same steps with the left side panel (C).



2. Lay the Slat roll (E) on the rails of the back and front panels. Using a Phillips head screwdriver, fasten the slats to the rails with the Phillips head screws (K) as shown below.



3. Slide assembled trundle under the assembled daybed.



Thank you for your purchase.

stores | catalog | [www.potterybarnkids.com](http://www.potterybarnkids.com)