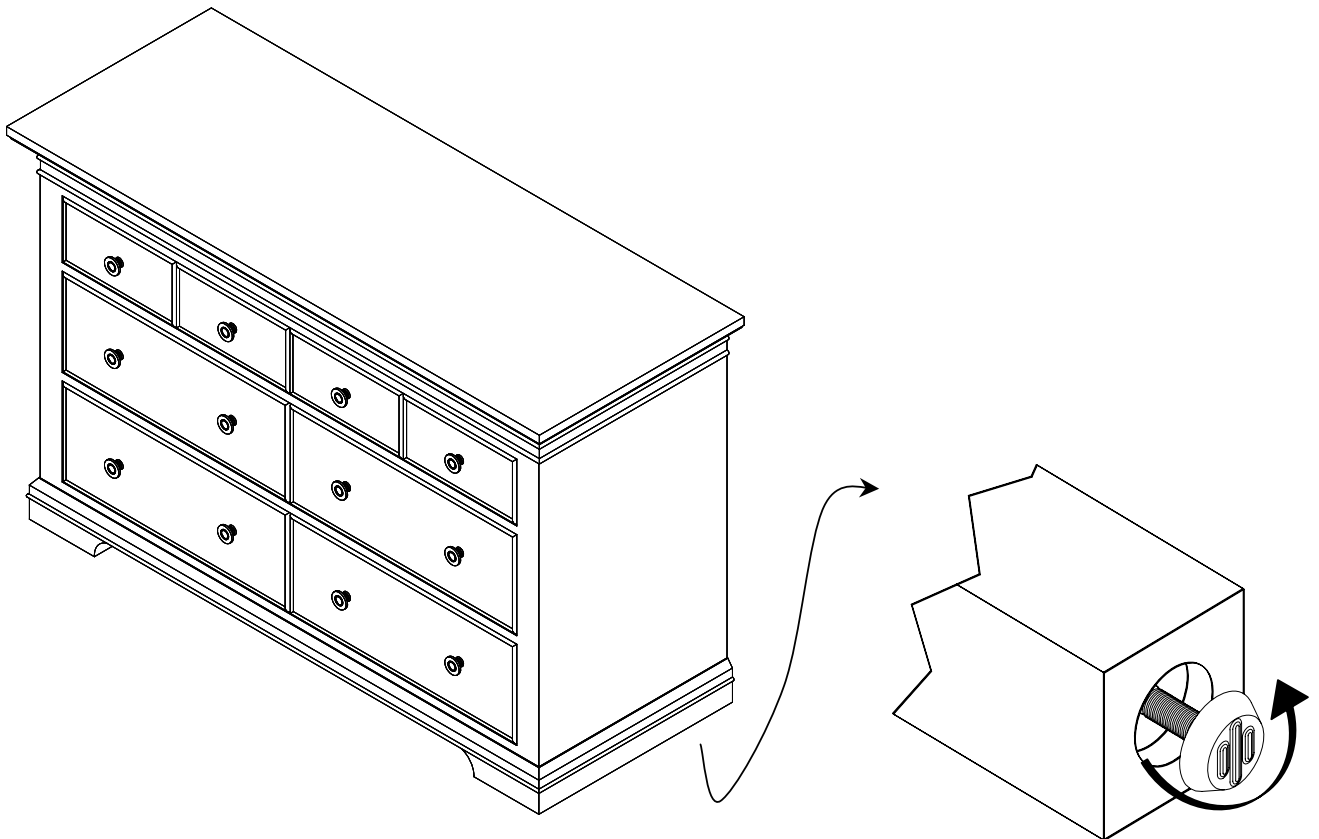


# pottery barn kids

## larkin sleigh extra wide dresser

The dresser may not sit level due to uneven floors. If this occurs, follow these steps:

- If left side does not touch the floor: Carefully grasp the left side of the dresser. Elevate it slightly to provide access to the levelers attached to the base of the LEFT legs. Turn the levelers in counter-clockwise directions. Carefully return dresser to its upright level position.
- If right side does not touch the floor: Carefully grasp the right side of the dresser. Elevate it slightly to provide access to the levelers attached to the base of the RIGHT legs. Turn the levelers in a counter-clockwise direction. Carefully return dresser to its upright level position.
- If the dresser is still not level, repeat the above steps.



### CARE INSTRUCTIONS:

- Use a soft dry or slightly damp cloth to clean daily.
- Wipe up spills immediately.
- To protect the finish always avoid the use of chemical and abrasive cleaners.
- The use of coasters is recommended to prevent the formation of moisture rings.