

pottery barn kids

ADIRONDACK SIDE TABLE

PRE-ASSEMBLY:

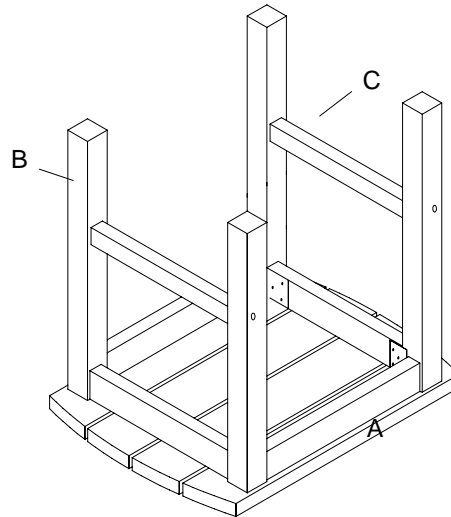
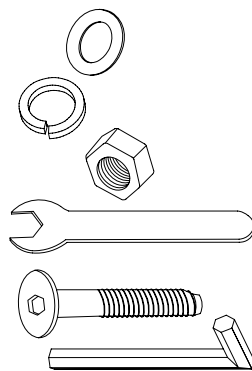
- Read all instructions before beginning assembly. The illustrations provided allow for easier assembly when used in conjunction with the assembly instructions.
- For your safety and ease, assembly by two adults is recommended.
- Remove all part and hardware from the box and lay out on a clean, carpeted, or scratch- free work surface. Use care as some parts or hardware may have sharp points or edges.
- Do not dispose of any contents until assembly is completed to avoid accidentally discarding small parts and hardware.
- Use the parts and hardware lists to identify and separate each of the pieces included.
- Note: Do not fully tighten all bolts until all parts are in place. Failure to follow these instructions may cause the bolts misalign during assembly.
- The use of power tools for assembly is not recommended. Power tools can damage hardware or split wood.

PARTS INCLUDED:

- (A) Table Top (1)
- (B) Table Leg (4)
- (C) Connector (2)

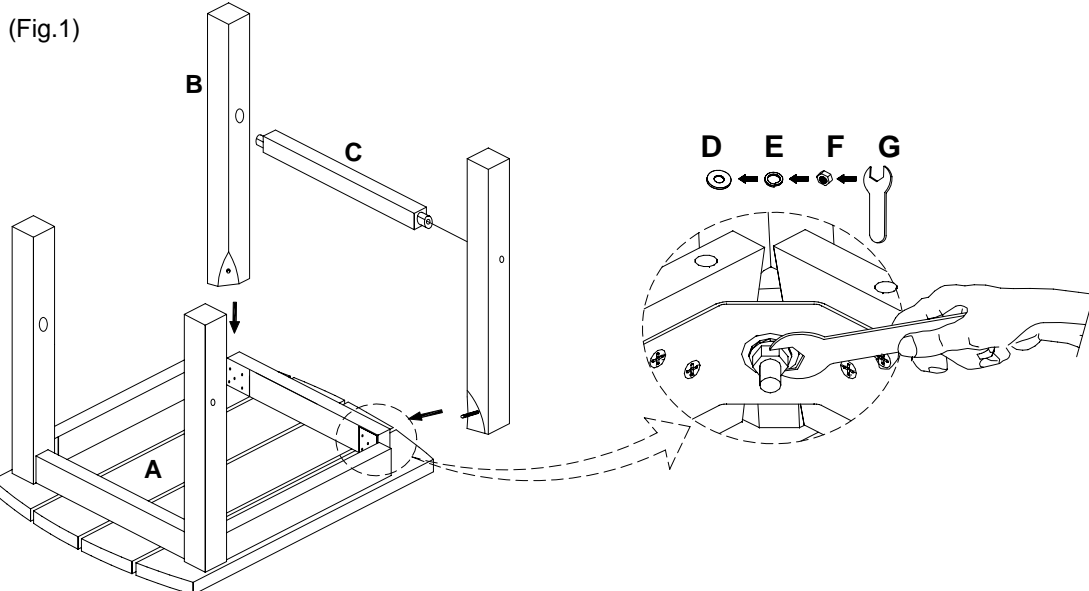
HARDWARE INCLUDED:

- (D) Flat Washer (4)
- (E) Spring Washer (4)
- (F) Nut (4)
- (G) Wrench (1)
- (H) Bolt 40mm (4)
- (I) 4mm Allen Key (1)

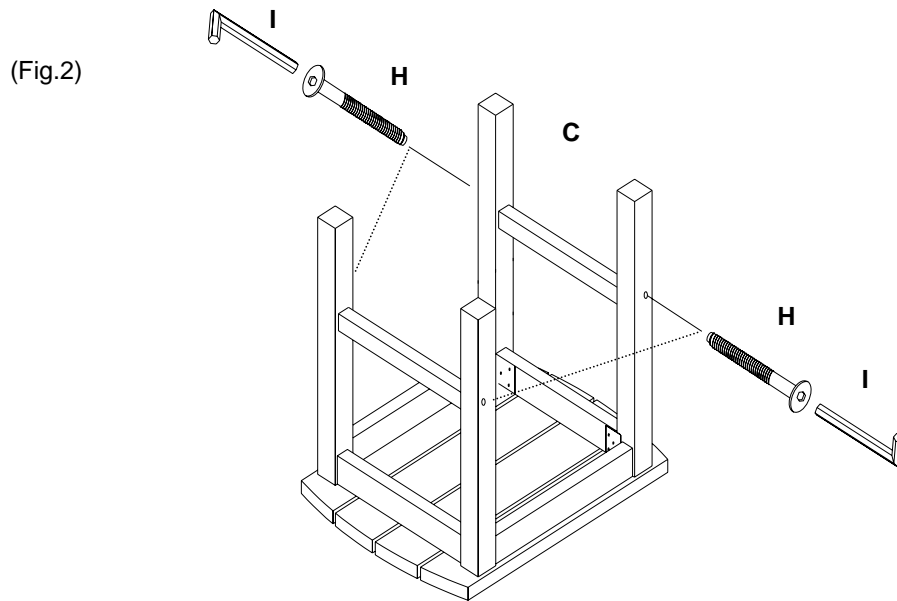


ASSEMBLY INSTRUCTIONS:

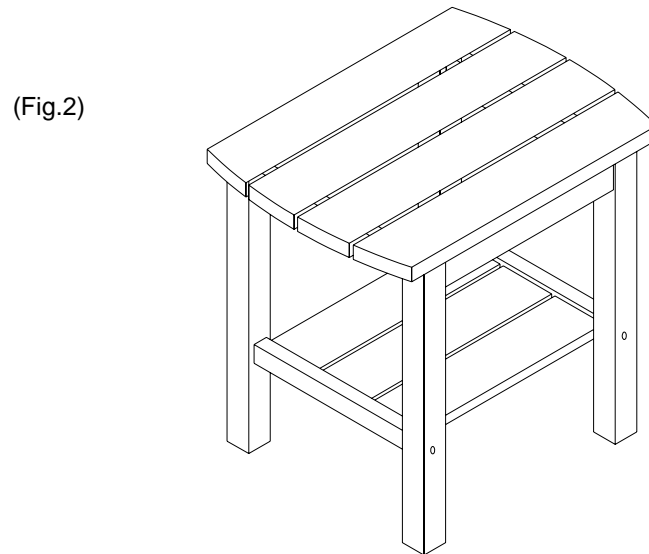
1. Secure the each leg (B) with 1 Washer (D), 1 Spring washer (E), and 1 Nut (F), as shown in Figure 1 using Wrench. Do not tighten the nuts at this point.



2. Attach the connectors (C) to the leg (B) as shown, and secure with bolts (H).



3. Tighten all nuts and bolts. Turn the piece upright. Assembly is complete



CARE INSTRUCTIONS:

- For daily care wipe with a soft dry cloth. Blot Spills immediately and wipe with a clean dry cloth.
- Store in a dry, covered area when not in use.
- We do not recommend the use of chemical cleansers, abrasives, or furniture polish.
- Over time, the product may begin to turn gray. To nourish the wood, wash with soap and water. When dry, apply a coating of teak oil with a clean cloth. Remove excess oil by blotting with a soft, clean cloth.

Thank you for your purchase
Stores | catalog | www.potterybarnkids.com
USA 1.800.290.8181